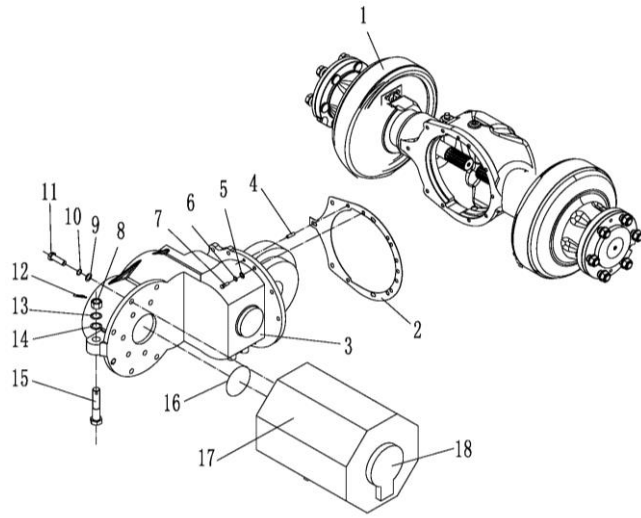
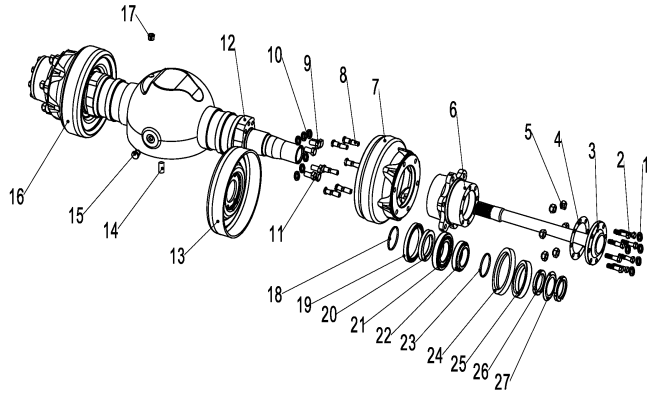


252198501001 传动系统/Drive system



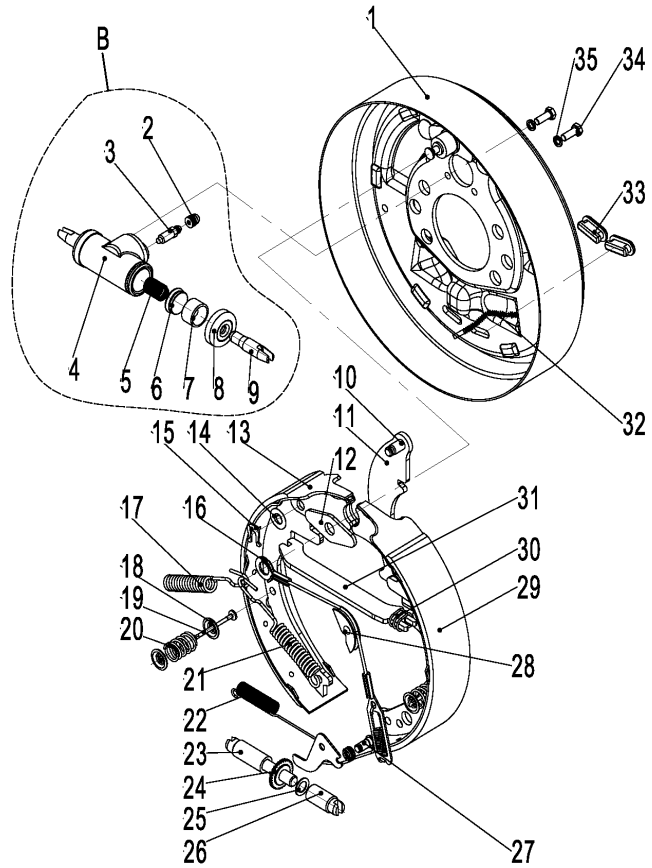
序号/NO	编码/SN	Name	名称	数量/QTY	备注/Remark
1	254113510001	Drive axle(DW)	驱动桥(DW)	1	16- 200C选装/Optional
	254113512001	Drive axle(KD)	驱动桥(KD)	1	16- 200C选装/Optional
	252113513001	Drive axle(KDYC)-14QC	驱动桥总成(KDYC)	1	14QC专用
2	255013520005	Seal washer	密封垫	1	
	255013520005	Seal washer-14QC	密封垫-14QC	1	14QC专用
3	255014010002	Gear box (ZN)	变速箱(ZN)	1	16- 200C选装/Optional
	255014012002	Gear box (JD)	减速箱总(JD)	1	16- 200C选装/Optional
	252114013002	Gear box (JD)-14QC	变速箱(JD)-14QC	1	14QC专用
4	910600100021	Dowel pin GB119.2-8x25	圆柱销GB119.2-8x25	1	
5	910400100007	Washer GB97.1-10-200HV	平垫圈GB97.1-10-200HV	12	
6	910400500007	Washer GB93-10	弹簧垫圈GB93-10	12	
7	910100400004	Bolt GB5786-M10x1.25x30-8.8	螺栓GB5786-M10x1.25x30-8.8	12	
8	910300900002	Nut GB6178-M20-8	螺母GB6178-M20-8	1	
9	910400100009	Washer GB97.1-14-200HV	平垫圈GB97.1-14-200HV	5	
10	910400500009	Washer GB93-14	弹簧垫圈GB93-14	5	
11	910100200010	Bolt GB5785-M14x1.5x50-8.8	螺栓GB5785-M14x1.5x50-8.8	5	
12	910600600037	Split pin GB91-4x40	开口销GB91-4x40	1	
13	910400500012	Washer GB93-20	弹簧垫圈GB93-20	9	
14	910400100012	Washer GB97.1-20-200HV	平垫圈GB97.1-20-200HV	1	
15	910100500006	BoltGB31.1-M20x90-8.8	螺栓GB31.1-M20x90-8.8	1	
16	910800100020	O ring 90x2.65	O形圈-内90x2.65	1	
17	920900100044	Motor (HP)	电机(HP)	1	16- 200C选装/Optional
	920900100053	Motor (WN)	电机(WN)	1	16- 200C选装/Optional
	252132011001	Motor HPQ3.9-48NL	电机(交流)HPQ3.9-48NL	1	14QC专用
18	255098513251	Encoder (HP)	编码器(HP)	1	选装/Optional
	255098513253	Encoder (WN)	编码器(WN)	1	选装/Optional

252198501002驱动桥(DW)/Drive axle(DW)



序号/NO	编码/SN	Name	名称	数量/QTY	备注/Remark
1	910400500008	Spring washerGB93-12	弹簧垫圈GB93-12	16	
2	254198523502	Half shaft Bolt	螺栓M12X1.25	16	
3	254198523522	Half shaft	半轴	2	
4	254198523521	Half shaft seal washer	半轴垫	2	
5	253098526041	Rim nut	轮毂螺母	12	
6	254198523519	Hub	轮毂	2	
7	254198523512	Brake drum	制动鼓	2	
8	254198523520	Hub connecting bolt	轮毂螺栓	12	
9	254198523510	Brake bolt	制动器螺栓	4	
10	910400500009	Spring washerGB93-14	弹簧垫圈GB93-14	12	
11	254198523511	Brake bolt	制动器螺栓	8	
12	254198523505	axle housing	桥壳	1	
13	254198513501	Right brake assembly	右制动器总成	1	
14	254198523525	Pin 8X20	销8X20	1	
15	254198523503	Air hole assembly	通气塞总成	1	
16	254198513508	Left brake assembly	左制动器总成	1	
17	255098523504	Blocking	堵塞	3	
18	254198523526	O-ring	O形密封圈	2	
19	254198523516	Oil seal SD125X100X12	油封SD125X100X12	2	
20	254198523506	separate cover	挡环	2	
21	254198523513	Bearing 32012	轴承30213	2	
22	254198523514	Bearing 30213	轴承32012	2	
23	254198523527	O-ring D60x2.65	O形圈D60x2.65	2	
24	254198523528	Oil seal 95X75X10	骨架油封95X75X10	2	
25	254198523515	Oil seal ring	油封挡圈	2	
26	255098523507	Little round nut	圆螺母M60X2	4	
27	254198523509	round nut Brake gasket	圆螺母制动垫圈d=60	2	

252198501003制动器总成(DW)/Brake assembly (DW)

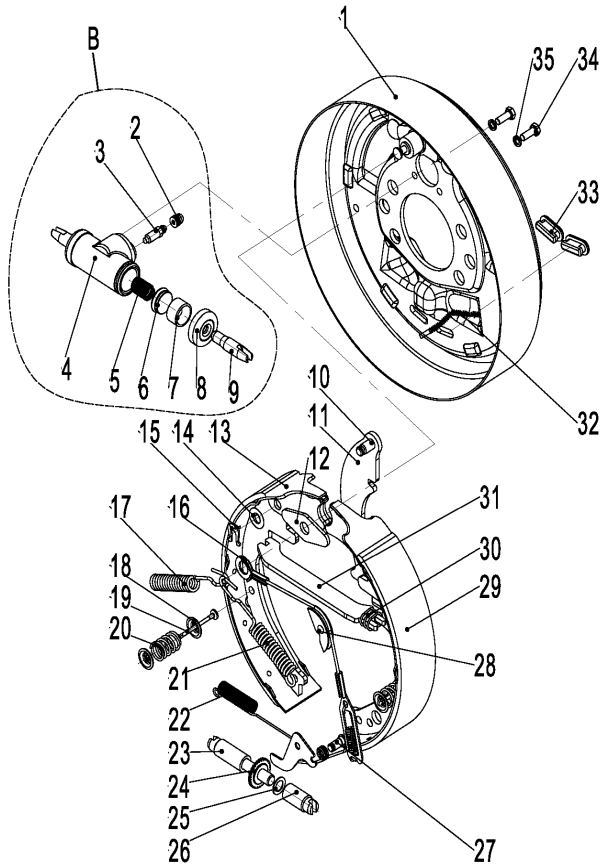


序号/NO	编码/SN	Name	名称	数量/QTY	备注/Remark
1	▲	Back plate assy	左制动器底板	2	
1	▲	R.H.back plate	右制动器底板	1	
B	254198513505	Wheel cylinder assy	制动器分泵总成	2	
2	▲	Hood,drain screw	分泵放气螺钉罩	2	
3	▲	Screw,vent	分泵放气螺钉	2	
4	▲	Cylinder body	制动分泵缸体	2	
5	▲	Spring	分泵弹簧	2	
6	▲	Cup	分泵皮碗	2	
7	▲	Piston	分泵活塞	2	
8	▲	Support hood	分泵护罩	2	
9	▲	Rod,piston	分泵活塞顶杆	2	
10	▲	Pin	销钉	2	
11	▲	Pull rod	手制动拉杆	2	
12	▲	Heel block	垫块	2	
13	254198513509	Brake shoe & friction piece	制动蹄带摩擦片总成(前)	2	
14	▲	Washer	垫圈	2	
15	▲	Clip reed	卡簧	1	
16	▲	Wire unit,spring	弹簧线装置	2	
17	▲	Release spring	制动蹄左回位弹簧	2	
18	▲	Washer	垫圈	2	
19	▲	Seat,spring	弹簧座	2	
20	▲	Spring	弹簧	2	
21	▲	Return spring	制动蹄右回位弹簧	2	
22	▲	Spring	弹簧	2	
23	▲	Clearance adjuster	间隙调整器	2	
24	▲	pinion	小齿轮	2	
25	▲	Washer	垫圈	2	
26	▲	Adjust the stud	调整螺栓	2	
27	▲	pin	定位销	2	
28	▲	Guide block	导向块	2	
29	254198513510	Brake shoe & friction piece	制动蹄带摩擦片总成(后)	2	





252198501005制动器总成(KD)/Brake assembly (KD)



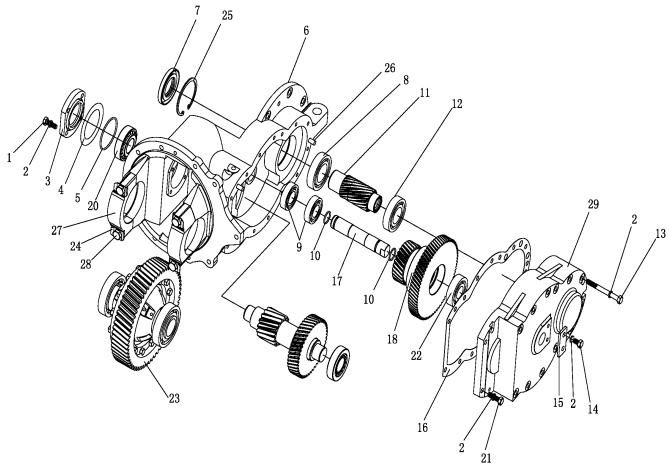
序号/NO	编码/SN	Name	名称	数量/QTY	备注/Remark
1	▲	Back plate assy	左制动器底板	2	
1	▲	R.H.back plate	右制动器底板	1	
B	254198523564	Wheel cylinder assy	制动器分泵总成	2	
2	▲	Hood,drain screw	分泵放气螺钉罩	2	
3	▲	Screw,vent	分泵放气螺钉	2	
4	▲	Cylinder body	制动分泵缸体	2	
5	▲	Spring	分泵弹簧	2	
6	▲	Cup	分泵皮碗	2	
7	▲	Piston	分泵活塞	2	
8	▲	Support hood	分泵护罩	2	
9	▲	Rod,piston	分泵活塞顶杆	2	
10	▲	Pin	销钉	2	
11	▲	Pull rod	手制动拉杆	2	
12	▲	Heel block	垫块	2	
13	254198523565	Brake shoe & friction piece	制动蹄带摩擦片总成 (前)	2	
14	▲	Washer	垫圈	2	
15	▲	Clip reed	卡簧	1	
16	▲	Wire unit,spring	弹簧线装置	2	
17	▲	Release spring	制动蹄左回位弹簧	2	
18	▲	Washer	垫圈	2	
19	▲	Seat,spring	弹簧座	2	
20	▲	Spring	弹簧	2	
21	▲	Return spring	制动蹄右回位弹簧	2	
22	▲	Spring	弹簧	2	
23	▲	Clearance adjuster	间隙调整器	2	
24	▲	pinion	小齿轮	2	
25	▲	Washer	垫圈	2	
26	▲	Adjust the stud	调整螺栓	2	
27	▲	pin	定位销	2	
28	▲	Guide block	导向块	2	
29	254198513566	Brake shoe & friction piece	制动蹄带摩擦片总成 (后)	2	







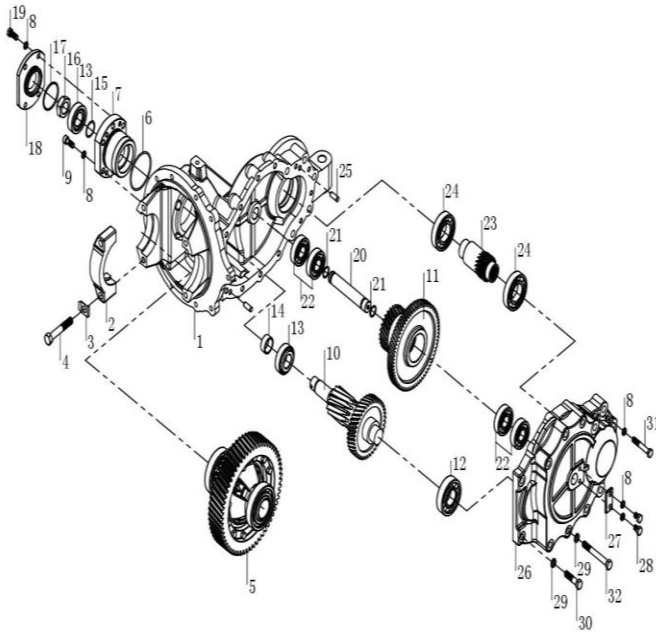
252198501007 变速箱 (ZN) /Gear box (ZN)



序号/NO	编码/SN	Name	名称	数量/QTY	备注/Remark
1	910100300036	Bolt	螺栓M10X25	4	
2	910400500007	Spring washer	弹簧垫圈10	20	
3	255098524003	Bearing cap	轴承盖	1	
4	255098524004	Spacer	垫片	4	
5	910800100032	O seal ring	O形密封圈75X3.1	1	
6	255098524006	Box	箱体	1	
7	255098524007	Oil seal	油封TC45X85X10	1	
8	910700200024	Bearing6209	深沟球轴承6209	1	
9	910700200021	Bearing6206	深沟球轴承6206	3	
10	255098524010	O-ring	O形密封圈25X2.65	2	
11	255098524011	Input shaft assembly	输入轴组件	1	
12	910700200023	Bearing6208	深沟球轴承6208	1	
13	910100100125	Bolt M10X100	螺栓M10X100	12	
14	910100300034	Bolt M10X16	螺栓M10X16	2	
15	255098524017	Stop dog	挡块	1	
16	255098524019	Paper pad	纸垫	1	
17	255098524020	axle	轴	1	
18	255098524021	Gear	双联齿轮	1	
19	255098524022	Gear assembly	齿轴组件	1	
20	255098524023	Bearing32207	圆锥滚子轴承32207	2	
21	910100300038	Bolt M10X35	螺栓M10X35	2	
22	255098524042	Bearing 6306	深沟球轴承6306	1	
23	255098524043	Differential assembly	差速器总成	1	
24	255098524027	Locking plate	锁片	4	
25	255098524044	Hole with elastic retainer 85	孔用弹性挡圈85	1	
26	910600100013	Pin6X20	圆柱销6X20	2	
27	255098524025	Bearing seat	轴承座	2	
28	255098524026	Bolt	螺栓	4	
29	255098524018	Box cover	箱盖	1	



252198501009变速箱(JD)/Gear box (JD)



序号/NO	编码/SN	Name	名称	数量/QTY	备注/Remark
1	254198524001	Box	箱体	1	
2	254198524002	Bearing pedestal	轴承座	2	
3	254198524003	Lock plate	锁片	4	
4	254198524004	Box	螺栓	4	
5	254198524005	Differential assembly	差速器总成	1	
6	254198524006	O-ring 85×3.1	O形密封圈85×3.1	1	
7	254198524007	Bearing pedestal	轴承座	1	
8	254198524008	Spring washer 10	弹簧垫圈10	16	
9	254198524009	Bolt M10×25	螺栓M10×25	6	
10	254198524010	Twin gear shaf	齿轴	1	
11	254198524011	Twin gear	双联齿轮	1	
12	254198524012	Bearing NJ307E	轴承NJ307E	1	
13	254198524013	Bearing 32206	轴承32206	2	
14	254198524014	Bush	衬套	1	
15	254198524015	Adjustable pad	调整垫	按需	
16	254198524016	Locknut	锁紧螺母	1	
17	254198524017	O-ring 62×3.1	O形密封圈62×3.1	1	
18	254198524018	End cover	端盖	1	
19	254198524019	Bolt M10×1.25×25	螺栓M10×1.25×25	4	
20	254198524020	Axle	轴	1	
21	254198524021	O-ring 30×2.4	O型密封圈30×2.4	2	
22	254198524022	Bearing 6206/p5	轴承6206/p5	2	
23	254198524023	Bearing 6306/p5	轴承6306/p5	1	
24	254198524024	Input gear	输入齿轮	1	
25	254198524025	Bearing 6208	轴承	2	
26	254198524026	Pin B10×28	销B10×28	2	
27	254198524027	Case cover	箱盖	1	
28	254198524028	Batter board	定位板	1	
29	254198524029	Bolt M10×1.25×15	螺栓M10×1.25×15	2	
30	254198524030	Spring washer 12	弹簧垫圈12	8	
31	254198524031	Bolt M12×1.25×50	螺栓M12×1.25×50	2	









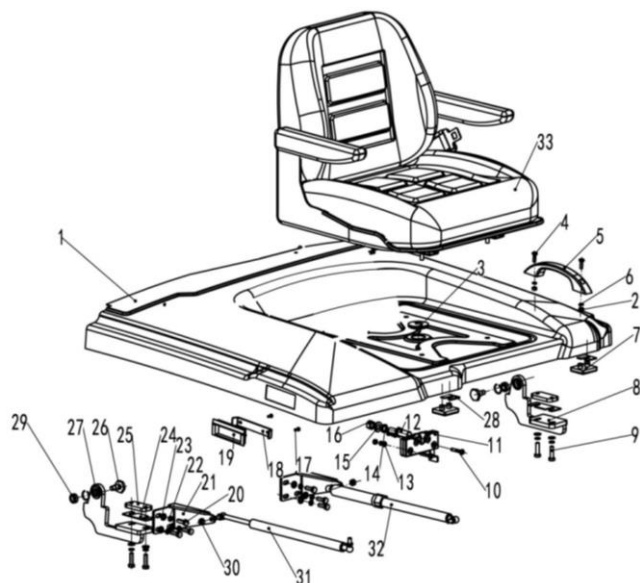








## 252198501016 电瓶箱盖/Battery box cover



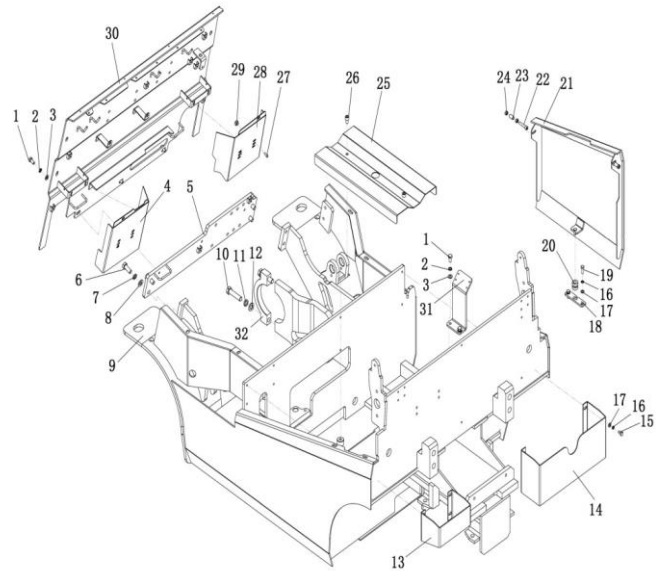
序号/NO	编码/SN	Name	名称	数量/QTY	备注/Remark
1	252121011002	Welding of box cover (20Q li	箱盖焊合(20Q锂电)	1	
1	252121012002	Case cover welding (20Q lead	箱盖焊合(20Q铅酸)	1	
2	910300100005	Nut GB6170-M6-10	螺母GB6170-M6-10	6	
3	255021020046	To protect the coil	护线圈	1	
4	910200500053	Screw GB818 M6x20-4.8	螺钉 GB818-M6x20-4.8	1	
5	255021020020	Shake handshandle	拉手	1	
6	910400500005	Spring washers GB93-6	弹垫 GB93-6	4	
7	255021020068	Damping pad	减振垫	2	
8	255021010005	Hinge bracket (left)	铰链支架(左)	1	
9	910100300024	Bolt GB5783 M8x30-8.8	螺栓 GB5783-M8x30-8.8	4	
10	910200200041	Screw GB70.1 M6x40-4.8	螺钉 GB70.1-M6x40-4.8	3	
11	255021010010	The lid lock	顶盖锁	1	
12	255021020052	The lock tongue	锁舌	1	
13	910400100005	Washer GB97.1-6-200HV	平垫 GB97.1-6-200HV	2	
14	910400500008	Spring washer GB93-12	弹垫 GB93-12	1	
15	910400100008	Washer GB97.1-12-200HV	平垫GB97.1-12-200HV	1	
16	910300100008	Nut GB6170 - M12-10	螺母 GB6170-M12-10	1	
17	910200500021	Screw GB818 M4x10-4.8	螺钉 GB818-M4x10-4.8	2	
18	255021020055	Fixed plate	固定板	1	
19	255021020021	The shake handshandle	内拉手	1	
20	910100300023	Bolt GB5783 M8x25-8.8	螺栓 GB5783-M8x25-8.8	6	
21	255021020047	Air spring support	气弹簧支架	2	
22	910400500006	Spring washer GB93-8	弹垫 GB93-8	10	
23	910400100006	Washer GB97.1-8-200 hv	平垫 GB97.1-8-200HV	10	
24	255021020054	Adjust the pad	调整垫	2	
25	255021020045	Wire plate	丝座板	2	
26	255021020043	Reaming hole bolt M10x28	铰制孔螺栓M10x28	2	
27	255021010006	Hinge bracket (right)	铰链支架(右)	2	
28	255021020071	Adjust the gasket	调整垫片	2	
29	910700900001	Bearing GB9163-GE12E	轴承GB9163-GE12E	2	
30	910300100006	Nut GB6170 M8-10	螺母 GB6170-M8-10	2	







252198501019 车架(侧出式) /Frame(Side out type)



序号/NO	编码/SN	Name	名称	数量/QTY	备注/Remark
1	910100300035	Bolt GB5783 M10x20-8.8	螺栓GB5783-M10x20-8.8	5	
2	910400500007	Spring washer GB93-10	弹簧垫圈GB93-10	5	
3	910400100007	Washer GB97.1-10-200HV	平垫圈GB97.1-10-200HV	5	
4	252121511004	Welding of cover plate(left)	盖板焊合(左)	1	
5	252121511010	Butt welding	前连扳焊合QC	1	
6	910100300063	Bolt GB5783 M14x35-8.8	螺栓GB5783-M14x35-8.8	4	
7	910400500009	Spring washer GB93-14	弹簧垫圈GB93-14	4	
8	910400100009	The flat washer GB97.1-14-200HV	平垫圈GB97.1-14-200HV	4	
9	252121511010	Frame welded QC	车架焊合QC	1	
10	910100200016	Bolt GB5785-M16x1.5x70-8.8	螺栓GB5785-M16x1.5x70-8.8	4	
11	910400500010	Spring washer GB93-16	弹簧垫圈GB93-16	4	
12	910400100010	The flat washer GB97.1-16-200HV	平垫圈GB97.1-16-200HV	4	
13	252121521205	Battery baffle left	电瓶挡板左	1	
14	252121511012	The battery baffle is welded to the ri	电瓶挡板焊合右	1	
15	910100300020	Bolt GB5783 M8x16-8.8	螺栓GB5783-M8x16-8.8	8	
16	910400500006	Spring washer GB93-8	弹簧垫圈GB93-8	10	
17	910400100006	The flat washer GB97.1-8-200HV	平垫圈GB97.1-8-200HV	10	
18	252121521096	baffle	挡板	1	
19	910100300023	Bolt GB5783 M8x25-8.8	螺栓GB5783-M8x25-8.8	2	
20	213019020009	Mat I	垫I	1	
21	252121512005	Soldered outer plate(battery QC)	外侧板焊合(电池QC)	1	
22	910200200059	Screw GB70.1 M8x30-8.8	螺钉GB70.1-M8x30-8.8	2	
23	255012020012	Pu tube	聚氨酯管	2	
24	910300100006	Nut GB6170 M8-10	螺母GB6170-M8-10	4	
25	252121521101	Cover plate (circuit)	盖板(线路)	1	
26	910200200074	Screw GB70.1 M10x16-8.8	螺钉GB70.1-M10x16-8.8	2	
27	910200300018	Screw GB70.2 M6x16-8.8	螺钉GB70.2-M6x16-8.8	4	
28	252121511006	Welding of cover plate (right)	盖板焊合(右)	1	
29	940801500001	Clip nut M6	卡式螺母M6	4	
30	252121512009	The meter stand is welded together	仪表架焊合QC	1	
31	252121521102	Installation board (connector)	安装板(接插件)	1	

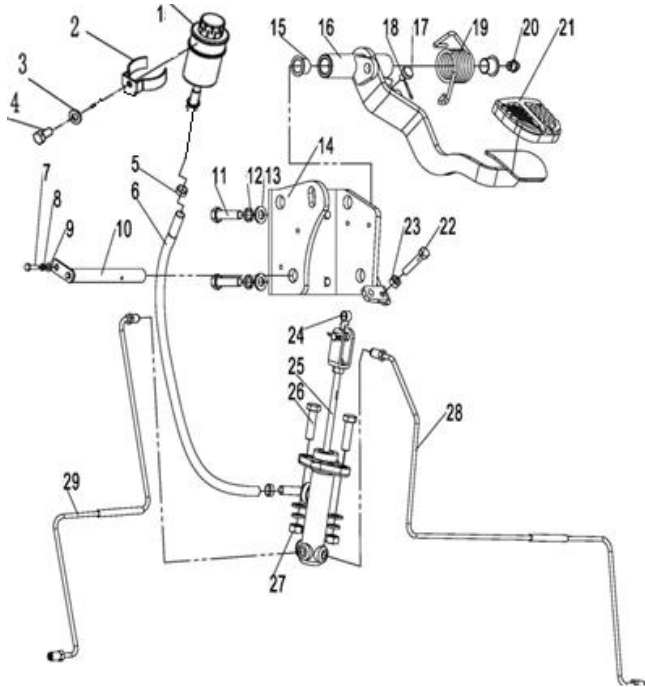








## 252198501022 脚制动操纵/Foot brake



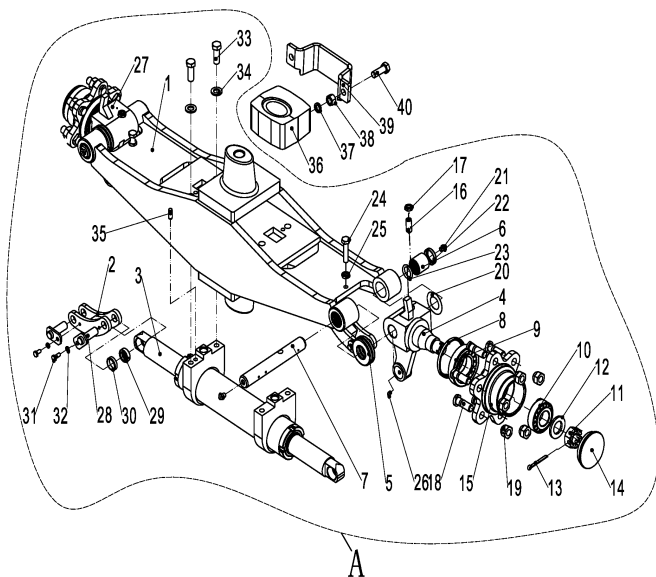
序号/NO	编码/SN	Name	名称	数量/QTY	备注/Remark
1	275011520020	Grease nipple	油杯	1	
2	275211511020	Bracket	油杯固定环	1	
3	910400500007	Washer GB93-8	弹簧垫圈GB93-8	1	
4	910100300020	Bolt GB5783-M8x16-8.8	螺栓GB5783-M8x16-8.8	1	
5	911000600001	Hose clamp QC/T390-(11-14)	喉箍QC/T390-(11-14)	2	
6	255011520021	Connecting pipe	连接管	1	
7	910100300003	Bolt GB5783-M5x12-8.8	螺栓GB5783-M5x12-8.8	1	
8	910400500004	Washer GB93-5	弹簧垫圈GB93-5	1	
9	910400100004	Washer GB97.1-5-200HV	平垫圈GB97.1-5-200HV	1	
10	255011510003	Axle $\Phi 16 \times 135$	带耳轴 $\Phi 16 \times 135$	1	
11	910100300039	Bolt GB5783-M10x40-8.8	螺栓GB5783-M10x40-8.8	4	
12	910400500007	Washer GB93-10	弹簧垫圈GB93-10	6	
13	910400100007	Washer GB97.1-10-200HV	平垫圈GB97.1-10-200HV	6	
14	256811511004	Foot brake holder welding	脚制动支架焊合	1	
15	940500100006	Bushing $\Phi 16 \times \Phi 18 \times 15$ -SF-1	复合套 $\Phi 16 \times \Phi 18 \times 15$ -SF-1	2	
16	256811511002	Pedal weiding	踏板焊合	1	
17	255011520010	Damping pad	缓冲垫	1	
18	910600600015	Split pin GB91-2x20	开口销GB91-2x20	1	
19	255011520008	Spring	扭簧	1	
20	911200100004	Grease nipple JB7940.1-M10x1	油杯JB7940.1-M10x1	1	
21	255011520013	Pedal (rubber)	踏板(橡胶)	1	
22	910100100023	Bolt GB5782-M8x45-8.8	螺栓GB5782-M8x45-8.8	1	
23	910300100006	Nut GB6170-M8-10	螺母GB6170-M8-10	1	
24	940500100048	Bushing $\Phi 10 \times \Phi 12 \times 8$ -SF-1	复合套 $\Phi 10 \times \Phi 12 \times 8$ -SF-1	1	
25	256811510001	Brake pump assembly	制动泵总成	1	
26	910100300038	Bolt GB5783-M10x35-8.8	螺栓GB5783-M10x35-8.8	2	
27	910300100007	Nut GB6170-M10-10	螺母GB6170-M10-10	2	
28	252111512009	Brake steel pipe welding	右制动钢管	1	
29	252111512010	Brake steel pipe welding	左制动钢管	1	







## 252198501026 转向桥及安装(DW)/Steering axle and installation (DW)



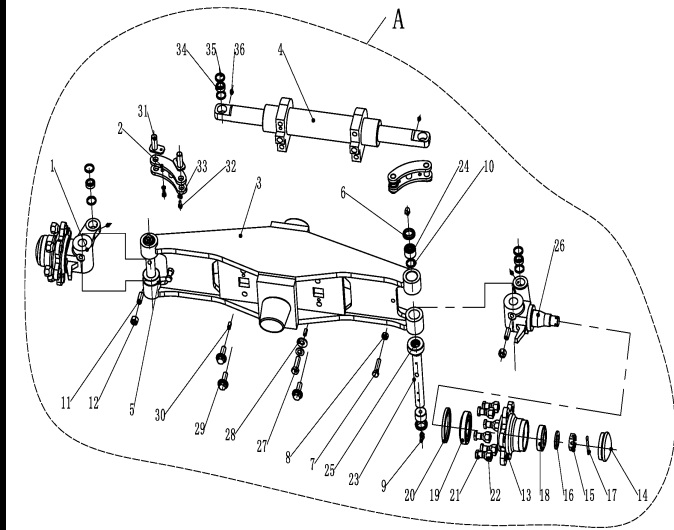
序号/NO	编码/SN	Name	名称	数量/QTY	备注/Remark
A	254116010001	1.5T steering axle	1.5T转向桥	1	
1	254198526001	Steering bridge assembly	转向桥体总成	1	
2	254198526002	Linking rod	连杆	2	
3	254198516003	Steering cylinder assembly	转向油缸总成	1	
4	254198526004	Right knuckle	右转向节总成	1	
5	254198526005	Bearing198905	单向推力轴承198905	2	
6	254198526006	Bearing 943/25	滚针轴承943/25	2	
7	254198526007	Pin	转向节主销	2	
8	254198526009	framework seal ring	骨架油封	2	
9	254198526011	Bearing 30208	轴承30208	2	
10	254198526012	Bearing 30206	轴承30206	2	
11	254198526013	Hexagonal groove nut M24x2	螺母M24x2	2	
12	910400100014	Washer GB97.1-24-200HV	垫圈24	2	
13	910600600038	Pin 5x50	销5x50	2	
14	254198526015	Wheel hub cover	轮毂盖	2	
15	254198526016	Steering wheel hub	转向轮毂	2	
16	255098526017	Strict bolt	内六角锥端紧定螺钉M12X30	2	
17	910300100008	Nut GB6170-M12-10	螺母M12	2	
18	254198526040	Rim Bolt	轮毂螺栓	12	
19	254198526041	Rim Nut(M14X1.5)	轮毂螺母	12	
20	254198526010	Pad	转向节调整垫	4	
21	253098526025	Grease nipple (90°)	弯颈式油嘴Q701B45	2	
22	254198516023	Oil seal	铁壳油封	4	
23	254198526022	O ring	O型圈	2	
24	910100300039	Bolt M10X40	螺栓M10x40	2	
25	910300100007	Nut GB6170-M10-10	螺母M10	12	
26	253098526019	Grease nipple	直通油嘴Q700B06	4	
27	254198526020	Left knuckle	左转向节	1	
28	254198526026	Linking pin	连杆销	4	
29	254198526027	Joint bearing GE15ES	关节轴承GE15ES	4	
30	254198526018	Bushing	衬套	4	







252198501028 转向桥及安装(KD)/Steering axle and installation(KD)



序号/NO	编码/SN	Name	名称	数量/QTY	备注/Remark
A	254116013001	1.5T steering axle(KD)	1.5T转向桥(KD)	40	
1	254198526050	Left knuckle assembly	左转向节总成	1	
2	254198526051	Linking rod	连杆	2	
3	254198526052	Steering bridge assembly	转向桥体	1	
4	254198526053	Steering cylinder assembly	转向油缸总成	1	
5	254198526054	Pad	转向节调整垫	4	
6	254198526055	framework seal ring	防尘油封	2	
7	254198526056	Bolt M10X1.25X40	螺栓M10x1.25x40	2	
8	254198526057	Nut GB6170-M10-10	螺母M10x1.25	12	
9	254198526058	Grease nipple (90°)	压注油杯(90°)	2	
10	254198526059	O ring	O型圈	2	
11	254198526060	Bolt M10X40	紧定螺钉M12X35	2	
12	254198526061	Nut GB6170-M10-10	螺母M12	12	
13	254198526062	Steering wheel hub	转向轮毂	2	
14	254198526063	Wheel hub cover	轮毂盖	2	
15	254198526064	Hexagonal groove nut M24x2	六角开槽螺母M24x2	2	
16	254198526065	Washer GB97.1-24-200HV	平垫圈24	2	
17	254198526066	Pin 5x45	销5x45	2	
18	254198526067	Bearing 30206	圆锥滚子轴承30206	2	
19	254198526068	Bearing 30208	圆锥滚子轴承30208	2	
20	254198526069	framework seal ring	骨架密封圈	2	
21	254198526070	Rim Bolt	轮辋螺栓	12	
22	254198526071	Rim Nut(M14X1.5)	轮辋螺母	12	
23	254198526072	Pin	转向节主销	2	
24	254198526073	Bearing 942/25	滚针轴承942/25	2	
25	254198526074	Bearing	单向推力轴承	2	
26	254198526075	Right knuckle	右转向节总成	1	
27	254198526076	Bolt M10X40	螺栓M12x40	2	
28	254198526077	Washer 12	垫圈12	4	
29	254198526078	Washer GB93-12	弹簧垫圈12	4	
30	254198526079	Dowel pin8x20	普通圆柱销A型	2	









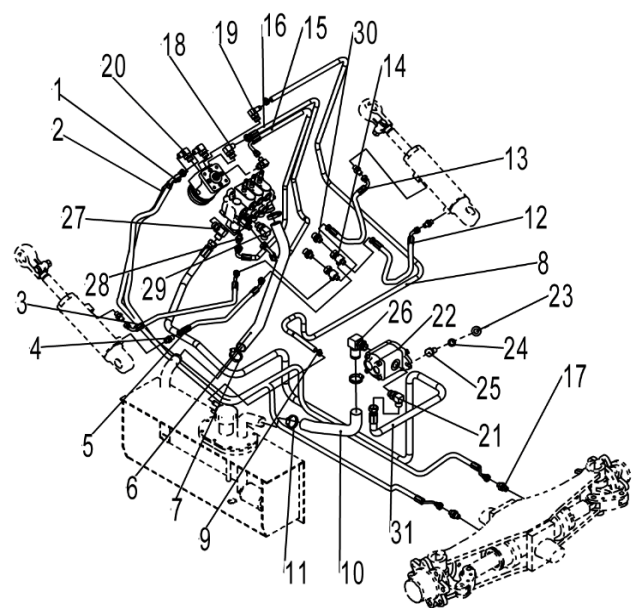








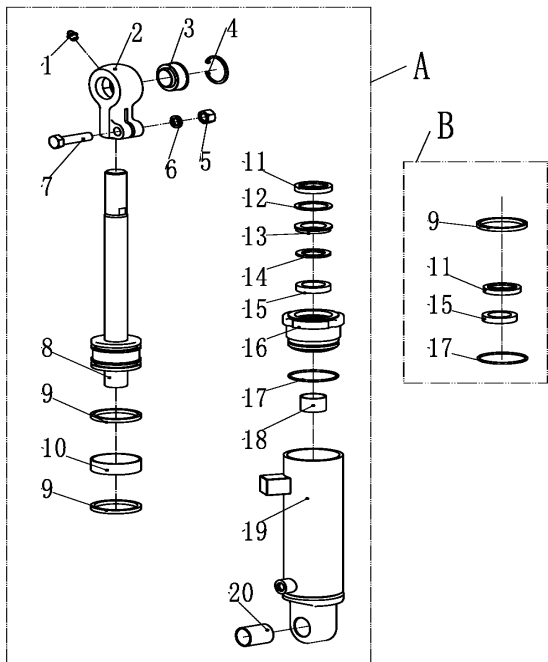
## 252198501035 液压系统/Hydraulic system



序号/NO	编码/SN	Name	名称	数量/QTY	备注/Remark
1	252123520001	Hydraulic pipe assembly (other)8-L2	液压管总成(异)8-L2400-1SC-60°	1	
2	252123520009	Hydraulic pipe assembly (other)8-L2	液压管总成(异)8-L2600-1SC-60°	1	
3	252123520002	Hydraulic tube assembly (135°)6-L6	液压管总成(135°)6-L600-1SC-60°	1	
4	255023520007	Joint (straight) 6-g1/4 - m14x1.5-60°	接头(直)6-G1/4-M14x1.5-60°	4	
5	252123520003	Hydraulic tube assembly(135°)6-L7	液压管总成(135°)6-L750-1SC-60°	1	
6	252123520010	Rubber hose (oil return)	胶管(回油)	1	
7	911000600004	Hose hoops QC/T390-(38-34)	喉箍QC/T390-(34-38)	4	
8	900200401001	Oil return hose 23x5	回油胶管23x5	2560mm	
9	911000600003	Hose hoops QC/T390-(22-26)	喉箍QC/T390-(22-26)	2	
10	252123520004	Rubber hose (oil absorption)	胶管(吸油)	1	
11	911000600006	Hose hoops QC/T390-(40-45)	喉箍QC/T390-(40-45)	2	
12	252123520005	Hydraulic tubing assembly(90°)6-L4	液压管总成(90°)6-L450-1SC-60°	1	
13	252123520006	Hydraulic tube assembly(135°)6-L5	液压管总成(135°)6-L500-1SC-60°	1	
14	255023510012	Joint (tee) 7-2xm14x1.5-m16x1.5-60°	接头(三通)7-2xm14x1.5-M16x1.5-60°	2	
15	252123520011	Hydraulic tubing assembly (90°)6-L	液压管总成(90°)6-L1320-1SC-60°	1	
16	251123521005	Hydraulic tube assembly(90°)8-L13	液压管总成(90°)8-L1320-1SC-60°	1	
17	255023520034	Joint(straight) 8-2xm16x1.5-60°	接头(直)8-2xm16x1.5-60°	2	
18	255023510003	Joint(lock bend) 6-G1/4-M14x1.5-60°	接头(锁定弯)6-G1/4-M14x1.5-60°	1	
19	255023510008	Joint(lock bend)11-M20x1.5-0	接头(锁定弯)11-M20x1.5-0	1	
20	255023510007	Joint(lock bend)10-M20x1.5-M16x1	接头(锁定弯)10-M20x1.5-M16x1.5-60°	3	
21	255023520035	Joint(lock bend)12-G1/2-M22x1.5-6	接头(锁定弯)12-G1/2-M22x1.5-60°	1	
22	251323512006	Gear pump	齿轮泵	1	
23	910400100007	Washer GB97.1-10-200HV	平垫圈GB97.1-10-200HV	2	
24	910400500007	Spring washer GB93-10	弹簧垫圈GB93-10	2	
25	910100300037	Bolt GB5783 M10x30-8.8	螺栓GB5783-M10x30-8.8	1	
26	255023510005	Joint(to bend)25-G1-Φ32	接头(转向弯)25-G1-Φ32	1	
27	255023520030	Joint(straight)12-2xm22x1.5-60°	接头(直)12-2xm22x1.5-60°	1	
28	255023510001	Joint(lock bend)6-m12x1.5-M14x1.5	接头(锁定弯)6-M12x1.5-M14x1.5-60°	1	
29	255044020143	Joint(lock bend) 12-M20x1.5-M22x1	接头(锁定弯)12-M20x1.5-M22x1.5-60°	1	
30	255023520033	Joint(straight)8-M20x1.5-M16x1.5-6	接头(直)8-M20x1.5-M16x1.5-60°	1	
31	255023520004	Hydraulic tubing assembly(90°)13-L	液压管总成(90°)13-L2750-2SC-60°	1	

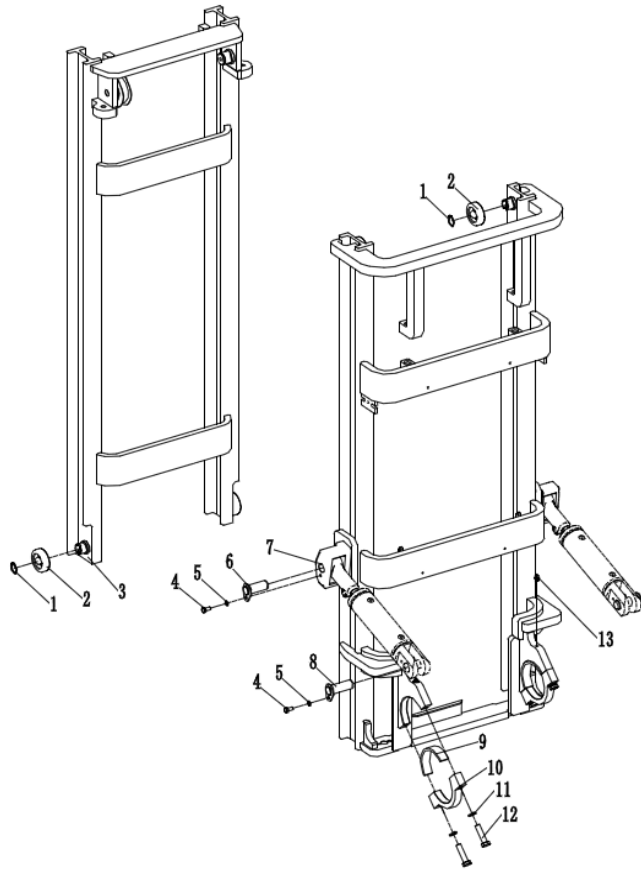


252198501037 倾斜油缸/Tilted cylinder



序号/NO	编码/SN	Name	名称	数量/QTY	备注/Remark
A	251320510001	Cylinder(TL)(6/10)	油缸(TL)(6/10)	1	H≤3700,Left
	251320510002	Cylinder (TL)(6/6)	油缸(TL)(6/6)	1	3700<H≤5000,Le
	251320510003	Cylinder (TL)(3/6)	油缸(TL)(3/6)	1	5000<H,Left
	251320510004	Cylinder (TR)(6/10)	油缸(TR)(6/10)	1	H≤3700,Right
	251320510005	Cylinder (TR)(6/6)	油缸(TR)(6/6)	1	3700<H≤5000,Ri
	251320510006	Cylinder (TR)(3/6)	油缸(TR)(3/6)	1	5000<H,Right
B	254198510006	Seal kits (tlted cylinder)	密封件修理包(倾斜缸)	2	
1	▲	Grease mouth Z1/8	直通式滑脂嘴Z1/8	2	
2	254198520501	Earring	耳环	2	
3	▲	Bearing GE30ES	关节轴承GE30ES	2	
4	▲	Circlip 47	挡圈47	2	
5	▲	NutM14	螺母M14	2	
6	▲	Washer14	垫圈14	2	
7	▲	BoltM14x55	螺栓M14x55	2	
8	▲	Piston body assembly	活塞体总成	2	
9	▲	Yx seal ring	Yx型密封圈	2	
10	▲	Support ring	支承环D63x20x2.5	2	
11	▲	Dust ring	防尘圈	2	
12	▲	Circlip 52	挡圈52	2	
13	▲	Circlip	挡圈	2	
14	▲	Catch 48x30x3	挡片48x30x3	2	
15	▲	Useal ring 48x30x10	U型密封圈	2	
16	▲	Guide sleeve	导向套	2	
17	▲	O seal ring 63x3.1	O型密封圈	2	
18	▲	Bearing 3025	钢背轴承3025	2	
19	▲	Cylinder barrel assembly	缸筒总成	2	
20	▲	Bearing 3040	钢背轴承3040	2	

252198501038 门架(标准门架)/Mast (standard mast)

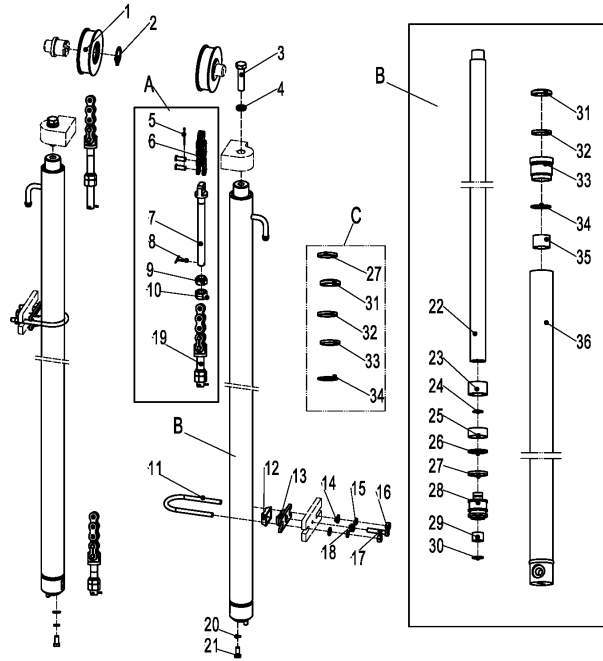


序号/NO	编码/SN	Name	名称	数量/QTY	备注/Remark
1	910401300018	Circlip GB894.1-35	轴用弹性挡圈GB894.1-35	4	
2	940200300048	RollerΦ79.10-range=45.3-49.3	复合滚轮Φ79.10-range=45.3-49.3(外圈)	4	
	940200300047	RolleΦ78.80-range=45.3-49.3	复合滚轮Φ78.80-range=45.3-49.3(外圈)	4	
3	254144010011	Mast 2500	内门架焊接(2500)	1	H=2500
	254144010012	Mast 2700	内门架焊接(2700)	1	H=2700
	254144010013	Mast 3000	内门架焊接(3000)	1	H=3000
	254144010014	Mast 3300	内门架焊接(3300)	1	H=3300
	254144010015	Mast 3500	内门架焊接(3500)	1	H=3500
	254144010016	Mast 3700	内门架焊接(3700)	1	H=3700
	254144010017	Mast 4000	内门架焊接(4000)	1	H=4000
	254144010018	Mast 4300	内门架焊接(4300)	1	H=4300
	254144010019	Mast 4500	内门架焊接(4500)	1	H=4500
	254144010020	Mast 5000	内门架焊接(5000)	1	H=5000
4	910100300035	Bolt GB5783-M10x20-8.8	螺栓GB5783-M10x20-8.8	4	
5	910400500007	Washer GB93-16	弹簧垫圈GB93-10	4	
6	255044010057	Axle φ30x82	带耳轴Φ30x82	2	
7	254144010001	Mast 2500	外门架焊接(2500)	1	H=2500
	254144010002	Mast 2700	外门架焊接(2700)	1	H=2700
	254144010003	Mast 3000	外门架焊接(3000)	1	H=3000
	254144010004	Mast 3300	外门架焊接(3300)	1	H=3300
	254144010005	Mast 3500	外门架焊接(3500)	1	H=3500
	254144010006	Mast 3700	外门架焊接(3700)	1	H=3700
	254144010007	Mast4000	外门架焊接(4000)	1	H=4000
	254144010008	Mast 4300	外门架焊接(4300)	1	H=4300
	254144010009	Mast 4500	外门架焊接(4500)	1	H=4500
	254144010010	Mast 5000	外门架焊接(5000)	1	H=5000
8	251144010001	Axle φ30x82	(油孔) 带耳轴Φ30x82	2	
9	254144020063	Bearing bush	轴瓦	2	
10	254144020100	Bearing cover	轴承盖	2	
11	910400500010	Washer GB93-16	弹簧垫圈GB93-16	4	
12	910100200016	Bolt GB5785-M16x1.5x70-8.8	螺栓GB5785-M16x1.5x70-8.8	4	





252198501040 起升油缸(标准门架) /Lifting cylinder(standard mast)



序号/NO	编码/SN	Name	名称	数量/QTY	备注/Remark
A	252044510005	Lifting chain LH1234-85	起升链条LH1234-85	2	H=2500
	252144014001	Lifting chain LH1234-91	起升链条LH1234-91	2	H=2700
	252144014011	Lifting chain LH1234-99	起升链条LH1234-99	2	H=3000
	252144014003	Lifting chain LH1234-105	起升链条LH1234-105	2	H=3300
	251244014011	Lifting chain LH1234-111	起升链条LH1234-111	2	H=3500
	252144014005	Lifting chain LH1234-117	起升链条LH1234-117	2	H=3700
	251244514007	Lifting chain LH1234-135	起升链条LH1234-135	2	H=4000
	251244514008	Lifting chain LH1234-145	起升链条LH1234-145	2	H=4300
	252144014008	Lifting chain LH1234-147	起升链条LH1234-147	2	H=4500
	252144014009	Lifting chain LH1234-161	起升链条LH1234-161	2	H=5000
B	254144010021	Cylinder(H=2500)	油缸(H=2500)	2	H=2500
	254144010022	Cylinder(H=2700)	油缸(H=2700)	2	H=2700
	254144010023	Cylinder(H=3000)	油缸(H=3000)	2	H=3000
	254144010024	Cylinder(H=3300)	油缸(H=3300)	2	H=3300
	254144010025	Cylinder(H=3500)	油缸(H=3500)	2	H=3500
	254144010026	Cylinder(H=3700)	油缸(H=3700)	2	H=3700
	254144010027	Cylinder(H=4000)	油缸(H=4000)	2	H=4000
	254144010028	Cylinder(H=4300)	油缸(H=4300)	2	H=4300
	254144010029	Cylinder(H=4500)	油缸(H=4500)	2	H=4500
	254144010030	Cylinder(H=5000)	油缸(H=5000)	2	H=5000
C	254198510001	Seal kits(standard mast lifting cylinder)	密封件修理包(标准门架起升缸)	2	
1	940200500004	Chain wheel bearing780708K1-Φ95	链轮轴承780708K1-Φ95xΦ40x21	2	
2	910401300020	Circlip GB894.1-40	轴用弹性挡圈GB894.1-40	2	
3	910100300051	Bolt GB5783-M12x35-8.8	螺栓GB5783-M12x35-8.8	2	
4	910400500008	Washer GB93-12	弹簧垫圈GB93-12	2	
5	910600600019	Split pin 2.5x25	开口销GB91-2.5x25	2	
6	254144020068	LH1223T chain	板式链条LH1223T	2	
7	254144020064	Joint	链条螺栓M16x1.5-140	2	
8	910600600030	Split pin 3.2x30	开口销GB91-3.2x30	2	
9	910300200008	Nut M16x1.5	螺母GB6171-M16x1.5-10	2	
10	254144020066	Nut M16x1.5	球面螺母M16x1.5	2	

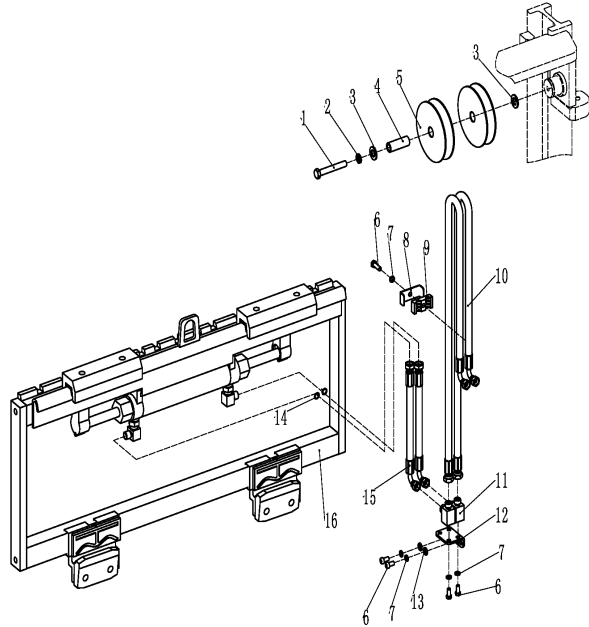








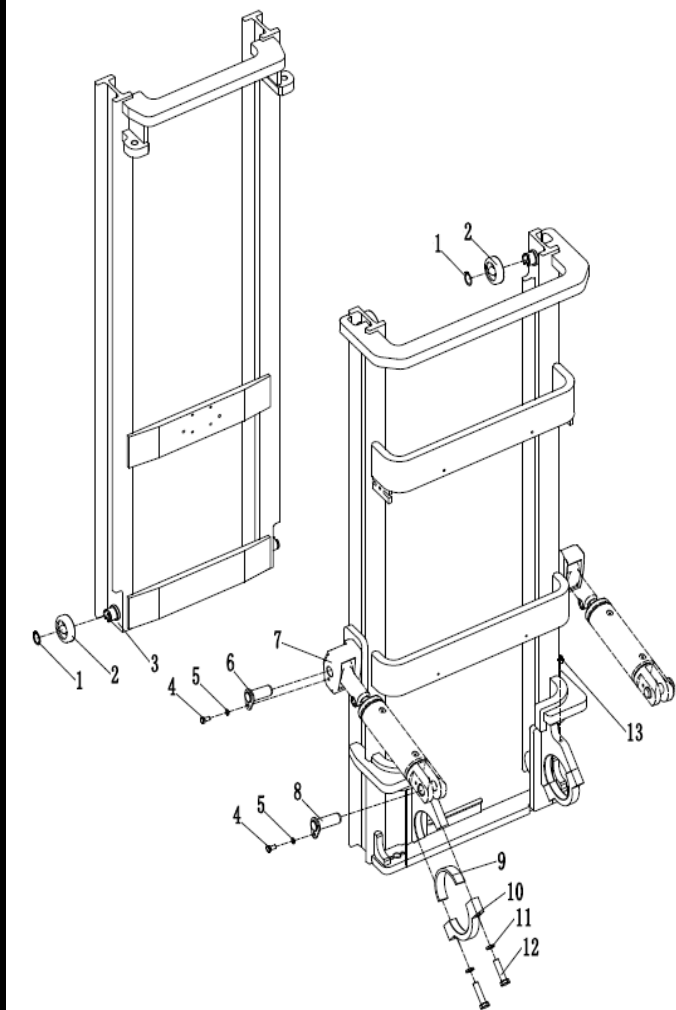
252198501042 侧移器及管路安装(标准门架)/Side shifter and pipeline installation (standard mast)



序号/NO	编码/SN	Name	名称	数量/QTY	备注/Remark
1	910100100056	Bolt GB5782-M12x90-8.8	螺栓GB5782-M12x90-8.8	1	
2	910400500008	WasherGB93-12	弹簧垫圈GB93-12	1	
3	910400100008	Washer GB97.1-12-200HV	平垫圈GB97.1-12-200HV	1	
4	255030520022	Bush Φ 22xΦ 13x56	衬套Φ22xΦ13x56	1	
5	255030520021	Pulley Φ 110x27	滑轮Φ110x27(单槽)	2	
6	910200200062	ScrewGB5783-M8x45-8.8	螺钉GB70.1-M8x45-8.8	2	
7	910400500006	Washer GB93-8	弹簧垫圈GB93-8	6	
8	255028520034	Rubber pipe lump	胶管固定块	2	
9	255028520035	Pipe press fixedly piank	管夹安装板	2	
10	254128520039	Hydraulic hose assembly 10-L3250	液压管总成(直)10-L3250-1SC-60°	2	H=2500
	255030520006	Hydraulic hose assembly 10-L3370	液压管总成(直)10-L3370-1SC-60°	2	H=2700
	263030520005	Hydraulic hose assembly 10-L3670	液压管总成(直)10-L3670-1SC-60°	2	H=3000
	256530520704	Hydraulic hose assembly 10-L4070	液压管总成(直)10-L4070-1SC-60°	2	H=3300
	252127521001	Hydraulic hose assembly 10-L4150	液压管总成(直)10-L4150-1SC-60°	2	H=3500
	252127521002	Hydraulic hose assembly 10-L4350	液压管总成(直)10-L4350-1SC-60°	2	H=3700
	275331020701	Hydraulic hose assembly 10-L4770	液压管总成(直)10-L4770-1SC-60°	2	H=4000
	256028020005	Hydraulic hose assembly 10-L5050	液压管总成(直)10-L5050-1SC-60°	2	H=4300
	252127521003	Hydraulic hose assembly 10-L5360	液压管总成(直)10-L5360-1SC-60°	2	H=4500
	252127521004	Hydraulic hose assembly 10-L5800	液压管总成(直)10-L5800-1SC-60°	2	H=5000
11	255029020024	Joint 8-M16x1.5-60°	接头(锁定弯)8-2xM16x1.5-60°	2	
12	254127520001	fixedly piank	安装板	1	
13	910400100006	Washer GB97.1-8-200HV	平垫圈GB97.1-8-200HV	2	
14	910800100001	Oring 9.5x1.8	O形圈-内9.5x1.8	4	
15	254142520001	Hydraulic hose assembly (90°)10-L300	液压管总成(90°)10-L300-1SC-60°-0°	2	
16	255042510004	Side shifter assembly(LH)	侧移器总成(LH)	1	选装/optional
	255042510001	Side shifter assembly(LD)	侧移器总成(LD)	1	选装/optional
	255042510002	Side shifter assembly(CASCADE)	侧移器总成(卡斯卡特)	1	选装/optional



252198501044 门架(两级全自由门架)/Mast (two stage full free)



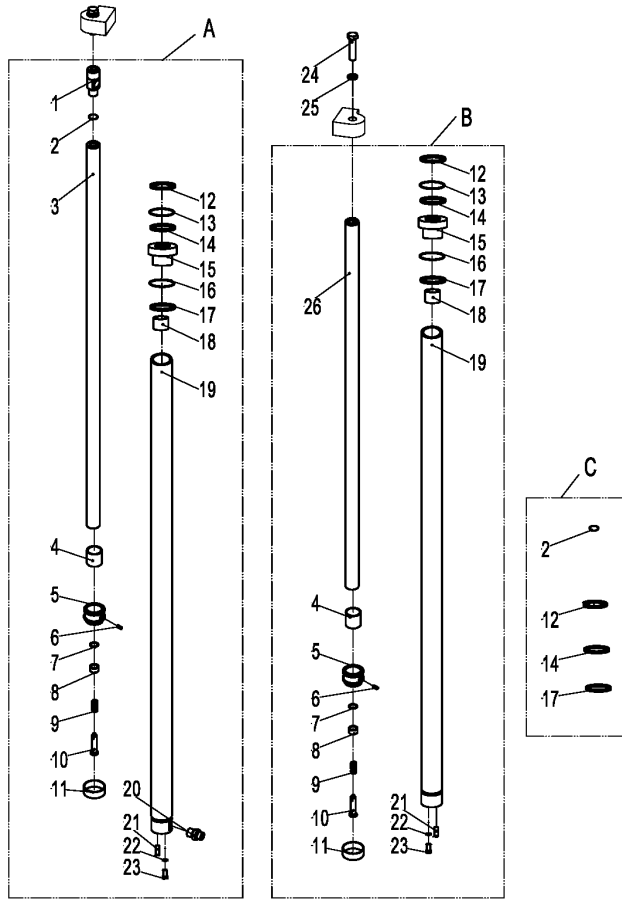
序号/NO	编码/SN	Name	名称	数量/QTY	备注/Remark
1	910401300018	Circlip GB894.1-35	轴用弹性挡圈GB894.1-35	4	
2	940200300048	RollerΦ79.10-range=45.3-49.3	复合滚轮Φ79.10-range=45.3-49.3(外圈)	4	选装/optional
2	940200300047	RolleΦ78.80-range=45.3-49.3	复合滚轮Φ78.80-range=45.3-49.3(外圈)	4	选装/optional
3	254143510011	Mast 2500	内门架焊合(2500)	1	H=2500
	254143510012	Mast 2700	内门架焊合(2700)	1	H=2700
	254143510013	Mast 3000	内门架焊合(3000)	1	H=3000
	254143510014	Mast 3300	内门架焊合(3300)	1	H=3300
	254143510015	Mast 3500	内门架焊合(3500)	1	H=3500
	254143510016	Mast 3700	内门架焊合(3700)	1	H=3700
	254143510017	Mast 4000	内门架焊合(4000)	1	H=4000
	254143510018	Mast 4300	内门架焊合(4300)	1	H=4300
	254143510019	Mast 4500	内门架焊合(4500)	1	H=4500
	254143510020	Mast 5000	内门架焊合(5000)	1	H=5000
4	910100300035	Bolt GB5783-M10x20-8.8	螺栓GB5783-M10x20-8.8	4	
5	910400500007	Washer GB93-10	弹簧垫圈GB93-10	4	
6	255044010057	Axle φ30x82	带耳轴Φ30x82	2	
7	254143510001	Mast 2500	外门架焊合(2500)	1	H=2500
	254143510002	Mast 2700	外门架焊合(2700)	1	H=2700
	254143510003	Mast 3000	外门架焊合(3000)	1	H=3000
	254143510004	Mast 3300	外门架焊合(3300)	1	H=3300
	254143510005	Mast 3500	外门架焊合(3500)	1	H=3500
	254143510006	Mast 3700	外门架焊合(3700)	1	H=3700
	254143510007	Mast 4000	外门架焊合(4000)	1	H=4000
	254143510008	Mast 4300	外门架焊合(4300)	1	H=4300
	254143510009	Mast 4500	外门架焊合(4500)	1	H=4500
	254143510010	Mast 5000	外门架焊合(5000)	1	H=5000
8	251144010001	Axle φ30x82	(油孔) 带耳轴Φ30x82	2	
9	254144020063	Bearing bush	轴瓦	2	
10	254144020100	Bearing cover	盖	2	
11	910400500010	Washer GB93-16	弹簧垫圈GB93-16	4	
12	910100200016	Bolt GB5785-M16x1.5x70-8.8	螺栓GB5785-M16x1.5x70-8.8	4	







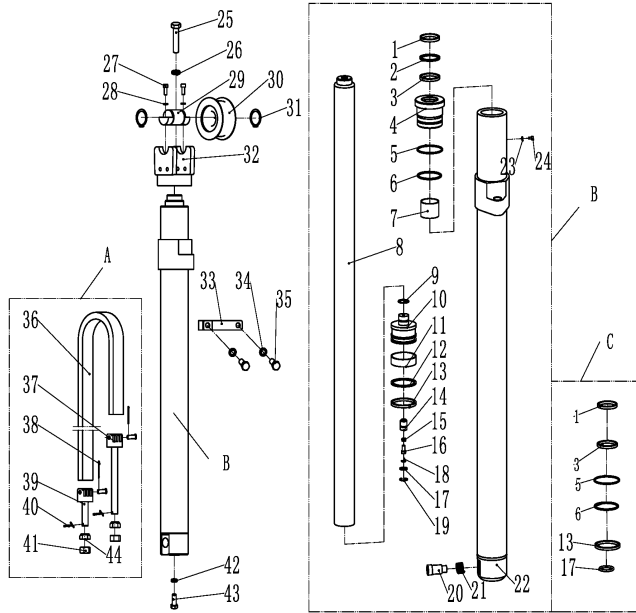
252198501046 起升油缸(二级全自由)/Lifting cylinder(two stage full free)



序号/NO	编码/SN	Name	名称	数量/QTY	备注/Remark	
A	254143510120	cylinder(R)(H=2500)	油缸(R)(H=2500)	1	H=2500	
	254143510121	cylinder(R)(H=2700)	油缸(R)(H=2700)	1	H=2700	
	254143510122	cylinder(R)(H=3000)	油缸(R)(H=3000)	1	H=3000	
	254143510123	cylinder(R)(H=3300)	油缸(R)(H=3300)	1	H=3300	
	254143510124	cylinder(R)(H=3500)	油缸(R)(H=3500)	1	H=3500	
	254143510125	cylinder(R)(H=3700)	油缸(R)(H=3700)	1	H=3700	
	254143510126	cylinder(R)(H=4000)	油缸(R)(H=4000)	1	H=4000	
	254143510127	cylinder(R)(H=4300)	油缸(R)(H=4300)	1	H=4300	
	254143510128	cylinder(R)(H=4500)	油缸(R)(H=4500)	1	H=4500	
	254143510129	cylinder(R)(H=5000)	油缸(R)(H=5000)	1	H=5000	
	B	254143510110	cylinder(L)(H=2500)	油缸(L)(H=2500)	1	H=2500
		254143510111	cylinder(L)(H=2700)	油缸(L)(H=2700)	1	H=2700
254143510112		cylinder(L)(H=3000)	油缸(L)(H=3000)	1	H=3000	
254143510113		cylinder(L)(H=3300)	油缸(L)(H=3300)	1	H=3300	
254143510114		cylinder(L)(H=3500)	油缸(L)(H=3500)	1	H=3500	
254143510115		cylinder(L)(H=3700)	油缸(L)(H=3700)	1	H=3700	
254143510116		cylinder(L)(H=4000)	油缸(L)(H=4000)	1	H=4000	
254143510117		cylinder(L)(H=4300)	油缸(L)(H=4300)	1	H=4300	
254143510118		cylinder(L)(H=4500)	油缸(L)(H=4500)	1	H=4500	
254143510119		cylinder(L)(H=5000)	油缸(L)(H=5000)	1	H=5000	
C	254198510002	Seal kits (two stage full free lifting c	密封件修理包(二级全自由起升缸)	2		
1	▲	Connecting rod	左连接杆	1		
2	▲	O ring	O型密封圈	1		
3	▲	Piston rod assembly	左柱塞杆总成	1		
6	▲	ScrewM4x6	内六角凹端紧固螺钉M4x6	2		
7	▲	Circlip φ18	钢丝挡圈φ18	2		
8	▲	Copper bushing	铜套	2		
9	▲	Spring	弹簧	2		
10	▲	Buffer plunger	缓冲柱塞	2		
11	▲	Supporting ring45x15x2.5	支承环45x15x2.5	2		
13	▲	Catch 32x42x3	挡片32x42x3	2		

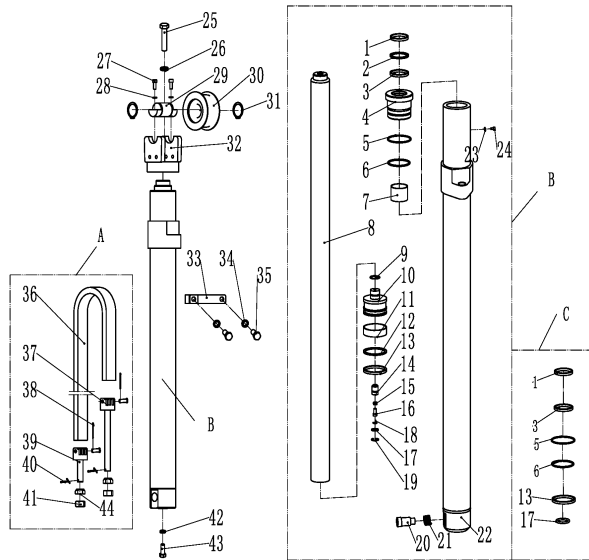


252198501047 短升降油缸(二级全自由)/Short lifting cylinder (two stage full free)



序号/NO	编码/SN	Name	名称	数量/QTY	备注/Remark
A	254143510060	Lifting chain LH1266-65	起升链条LH1266-65	2	H=2500
	254143515001	Lifting chain LH1266-71	起升链条LH1266-67	2	H=2700
	254143510061	Lifting chain LH1266-79	起升链条LH1266-71	2	H=3000
	254144510016	Lifting chain LH1266-87	起升链条LH1266-75	2	H=3300
	254144510017	Lifting chain LH1266-93	起升链条LH1266-77	2	H=3500
	254144540004	Lifting chain LH1266-97	起升链条LH1266-81	2	H=3700
	252143510071	Lifting chain LH1266-105	起升链条LH1266-85	2	H=4000
	254144510019	Lifting chain LH1266-113	起升链条LH1266-89	2	H=4300
	252143510072	Lifting chain LH1266-119	起升链条LH1266-91	2	H=4500
	254143510065	Lifting chain LH1266-133	起升链条LH1266-97	2	H=5000
B	254143510100	cylinder (M)(H=2500)	油缸(M)(H=2500)	1	H=2500
	254143510101	cylinder (M)(H=2700)	油缸(M)(H=2700)	1	H=2700
	254143510102	cylinder (M)(H=3000)	油缸(M)(H=3000)	1	H=3000
	254143510103	cylinder (M)(H=3300)	油缸(M)(H=3300)	1	H=3300
	254143510104	cylinder (M)(H=3500)	油缸(M)(H=3500)	1	H=3500
	254143510105	cylinder (M)(H=3700)	油缸(M)(H=3700)	1	H=3700
	254143510106	cylinder (M)(H=4000)	油缸(M)(H=4000)	1	H=4000
	254143510107	cylinder (M)(H=4300)	油缸(M)(H=4300)	1	H=4300
	254143510108	cylinder (M)(H=4500)	油缸(M)(H=4500)	1	H=4500
	254143510109	cylinder (M)(H=5000)	油缸(M)(H=5000)	1	H=5000
C	254198510004	Seal kits (two stage full free middle	密封件修理包(二级全自由中缸)	1	
1	▲	Dust ring	防尘圈	1	
2	▲	Catch 50x60x3	挡片50x60x3	1	
3	▲	Seal ring	轴用密封圈	1	
4	▲	Guide sleeve	导向套	1	
5	▲	O ring D75	O型密封圈D75	1	
6	▲	O ring D70	O型密封圈D70	1	
7	▲	Bearing 5035	钢背轴承5035	1	
8	▲	Piston rod	活塞杆	1	
9	▲	Circlip	钢丝挡圈	1	
10	▲	Piston assembly	活塞总成	1	

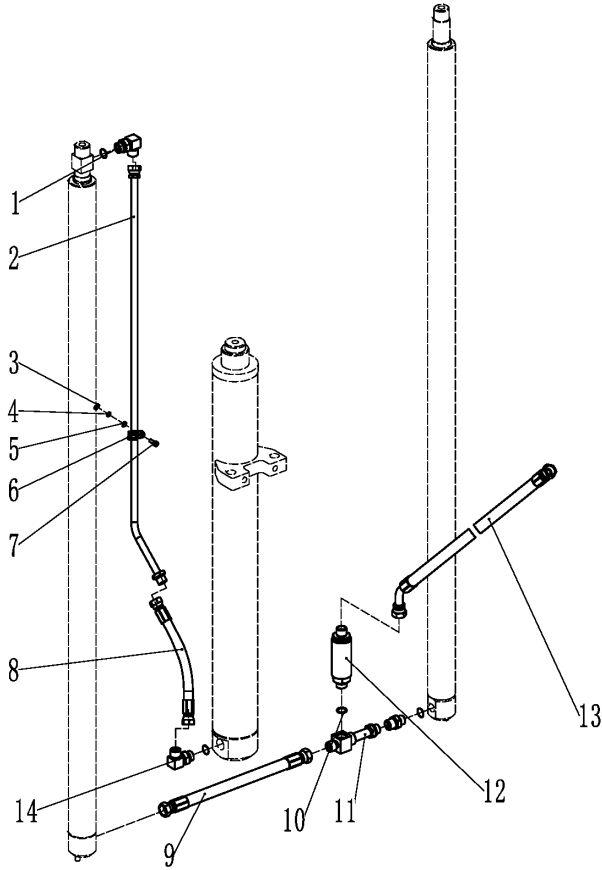
252198501047 短升降油缸(二级全自由)/Short lifting cylinder (two stage full free)



序号/NO	编码/SN	Name	名称	数量/QTY	备注/Remark
11	▲	Back up ring 70x20x3	支承环70x20x3	1	
12	▲	Circlip 70x60x3	挡圈70x60x3	1	
13	▲	Seal ring	密封圈	1	
14	▲	Valve bushing	阀套	1	
15	▲	Spring	弹簧	1	
16	▲	Valve plug	阀芯	1	
17	▲	O ring	O型密封圈	1	
18	▲	Circlip φ12	挡圈φ12	1	
19	▲	Circlip φ22	挡圈φ22	1	
20	▲	Slide valve	滑阀	1	
21	▲	Spring	弹簧	1	
22	▲	Cylinder	缸体	1	
23	▲	Spacer	垫片	1	
24	▲	Screw M5x5	螺钉M5x5	1	
25	910100300069	Bolt GB5783-M16x35-8.8	螺栓GB5783-M16x35-8.8	1	
26	910400500010	Washer GB93-16	弹簧垫圈GB93-16	1	
27	910200200057	Screw GB70.1-M8x20-8.8	螺钉GB70.1-M8x20-8.8	2	
28	910400500006	Washer GB93-8	弹簧垫圈GB93-8	4	
29	254143520056	Chain wheel bearing	链轮轴	1	
30	940200500009	Chain wheel bearing 785208-00-φ95	链轮轴承785208-00-φ95xφ40xφ47	1	
31	910401300020	Circlip GB894.1-40	轴用弹性挡圈GB894.1-40	2	
32	254143510050	Chain wheel weld	链轮座焊接	1	
33	254143520072	Embrace hoop	抱箍	1	
34	910400100006	Washer GB97.1-8-200HV	平垫圈GB97.1-8-200HV	2	
35	910100300022	Bolt GB5783-M8x20-8.8	螺栓GB5783-M8x20-8.8	2	
36	910900400013	LH1266 chain	板式链GB6074-LH1266	1	
37	254143520070	Joint	链条螺栓M18x1.5x185.5	1	
38	910600600032	Split pin GB91-3.2x40	开口销GB91-3.2x40	1	
39	254143520071	Joint	链条螺栓M18x1.5x90.5	1	
40	910600600011	Split pin 2X12	开口销GB91-2x12	2	
41	910300400007	Nut M18x1.5	螺母M18x1.5	2	



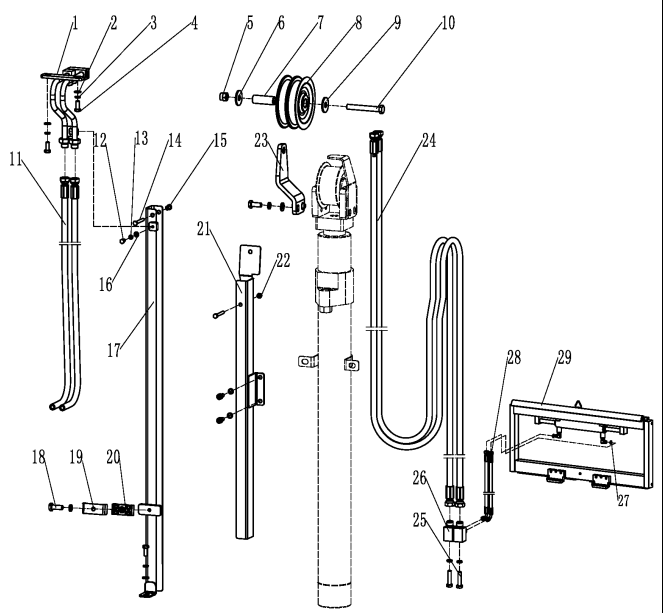
252198501048 门架起升管路(二级全自由)/Mast lifting pipeline(three stage full free lift)



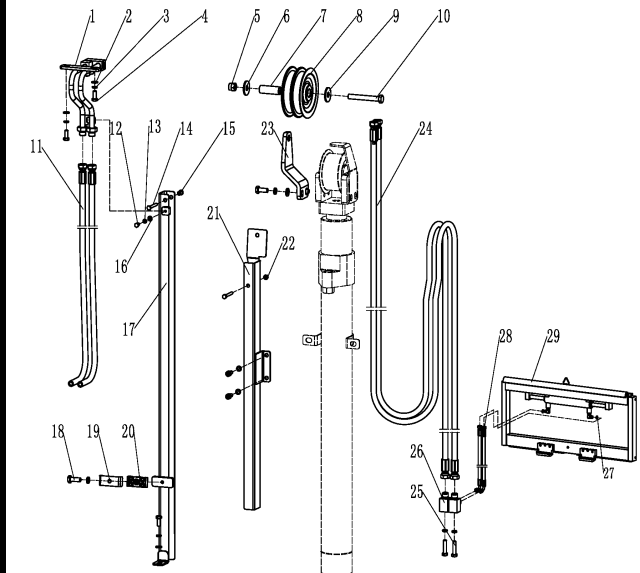
序号/NO	编码/SN	Name	名称	数量/QTY	备注/Remark
1	255044020151	Joint 12-2xM22x1.5-60°	接头(锁定弯)12-2xM22x1.5-60°	1	
2	255043520010	Pipe L=1010	液压钢管L=1010	1	H=2500
	255043520024	Pipe L=1255	起升钢管L=1255	1	H=2700
	255043520024	Pipe L=1255	起升钢管L=1255	1	H=3000
	255043520011	Pipe L=1300	液压钢管L=1300	1	H=3300
	255043520012	Pipe L=1460	液压钢管L=1460	1	H=3500
	255043520012	Pipe L=1460	液压钢管L=1460	1	H=3700
	255043520012	Pipe L=1460	液压钢管L=1460	1	H=4000
	255043520014	Pipe L=1850	液压钢管L=1850	1	H=4300
	255043520015	Pipe L=2010	液压钢管L=2010	1	H=4500
	255043520017	Pipe L=2360	液压钢管L=2360	1	H=5000
3	910300100005	Nut GB6170-M6-10	螺母GB6170-M6-10	1	
4	910400500005	Spring gasket GB93-6	弹簧垫圈GB93-6	1	
5	910400100005	Flat gasket GB97.1-6-200HV	平垫圈GB97.1-6-200HV	1	
6	951000100003	Hose clamp YGE wrap glue 15	管夹YGE包胶15	1	
7	910200200036	Screw GB70.1-M6x20-8.8	螺钉GB70.1-M6x20-8.8	1	
8	263044020037	Hydraulic hose assembly15-L425-2	液压管总成(直)15-L425-2SC-60°	1	H=2500
	275244019003	Hydraulic hose assembly15-L345-2	液压管总成(直)15-L345-2SC-60°	1	H=2700
	254143529501	Hydraulic hose assembly15-L480-2	液压管总成(直)15-L480-2SC-60°	1	H=3000
	254143529501	Hydraulic hose assembly15-L480-2	液压管总成(直)15-L480-2SC-60°	1	H=3300
	263044020037	Hydraulic hose assembly15-L425-2	液压管总成(直)15-L425-2SC-60°	1	H=3500
	254143529502	Hydraulic hose assembly15-L510-2	液压管总成(直)15-L510-2SC-60°	1	H=3700
	254143529503	Hydraulic hose assembly15-L560-2	液压管总成(直)15-L560-2SC-60°	1	H=4000
	254143529501	Hydraulic hose assembly15-L480-2	液压管总成(直)15-L480-2SC-60°	1	H=4300
	263044020037	Hydraulic hose assembly15-L425-2	液压管总成(直)15-L425-2SC-60°	1	H=4500
	275244019003	Hydraulic hose assembly15-L345-2	液压管总成(直)15-L345-2SC-60°	1	H=5000
9	254144020039	Hydraulic hose assembly12-L345-2	液压管总成(直)12-L345-2SC-60°	1	
10	910800100040	Oring 24x2.4	O形圈-外24x2.4	1	
11	254144020038	Joint	接头(三通)	1	
12	950700300001	Speed limit valve XSF-F16-40	限速阀XSF-F16-40	1	
13	252144029001	Hydraulic hose assembly(135°)15-L	液压管总成(135°)15-L850-2SC-60°	1	20QC

252198501049 侧移器及管路安装 (二级全自由)/Side shifter and pipeline installation(two stage full free)

	序号/NO	编码/SN	Name	名称	数量/QTY	备注/Remark
	1	254128510001	Transition steel pipe solder	过度钢管焊合	1	
	2	910400100006	Washer GB97.1-8-200HV	平垫圈GB97.1-8-200HV	1	
	3	910400500006	Washer GB93-8	弹簧垫圈GB93-8	1	
	4	941100400001	Screw M8X20-8.8	螺钉 M8x20-8.8	1	
	5	910300500006	Nut GB889.1-M12-10	螺母GB889.1-M12-10	1	
	6	910400100008	Washer GB97.1-12-200HV	平垫圈GB97.1-12-200HV	1	
	7	255030520022	Bushing	衬套	1	
	8	255030520021	Pulley φ110x27	滑轮φ110x27 (单槽)	1	
	9	910400200005	Washer GB97.1-12-200HV	大垫圈GB96.1-12-200HV	1	
	10	910100100058	Bolt GB5783-M12x100-8.8	螺栓GB5783-M12x100-8.8	1	
	11	255030520709	Hydraulic hose assembly 10-L1580	液压管总成(直)10-L1580-1SC-60°	2	H=2500 20QC
		281229020021	Hydraulic hose assembly 10-L1650	液压管总成(直)10-L1650-1SC-60°	2	H=2700 20QC
		252128521001	Hydraulic hose assembly 10-L1810	液压管总成(直)10-L1810-1SC-60°	2	H=3000 20QC
		263030520013	Hydraulic hose assembly 10-L1895	液压管总成(直)10-L1895-1SC-60°	2	H=3300 20QC
		255030520711	Hydraulic hose assembly 10-L2090	液压管总成(直)10-L2090-1SC-60°	2	H=3500 20QC
		252030520016	Hydraulic hose assembly 10-L2220	液压管总成(直)10-L2220-1SC-60°	2	H=3700 20QC
		263030520017	Hydraulic hose assembly 10-L2390	液压管总成(直)10-L2390-1SC-60°	2	H=4000 20QC
		281229020031	Hydraulic hose assembly 10-L2550	液压管总成(直)10-L2550-1SC-60°	2	H=4300 20QC
		255030520004	Hydraulic hose assembly 10-L2610	液压管总成(直)10-L2610-1SC-60°	2	H=4500 20QC
		252130520701	Hydraulic hose assembly 10-L2915	液压管总成(直)10-L2915-1SC-60°	2	H=5000 20QC
	12	941100100009	Screw M6X12-8.8	螺钉 M6x12-8.8	1	
	13	910400500005	Washer GB93-8	弹簧垫圈GB93-6	1	
	14	910100300016	Bolt GB5783-M6X50-8.8	螺栓GB5783-M6x50-8.8	2	
	15	910301300002	Nut GB17880.1-M6X16.5	螺母GB17880.1-M6x16.5	1	
	16	910400100005	Washer GB97.1-6-200HV	平垫圈GB97.1-6-200HV	1	
	17	254128510012	Groove welding L=705	外导槽焊合L=705	1	H=2500
		254128510013	Groove welding L=805	外导槽焊合L=805	1	H=2700
		254128510014	Groove welding L=950	外导槽焊合L=950	1	H=3000
		254128510015	Groove welding L=1105	外导槽焊合L=1105	1	H=3300
		254128510016	Groove welding L=1205	外导槽焊合L=1205	1	H=3500
		254128510017	Groove welding L=1305	外导槽焊合L=1305	1	H=3700



252198501049 侧移器及管路安装 (二级全自由)/Side shifter and pipeline installation(two stage full free)

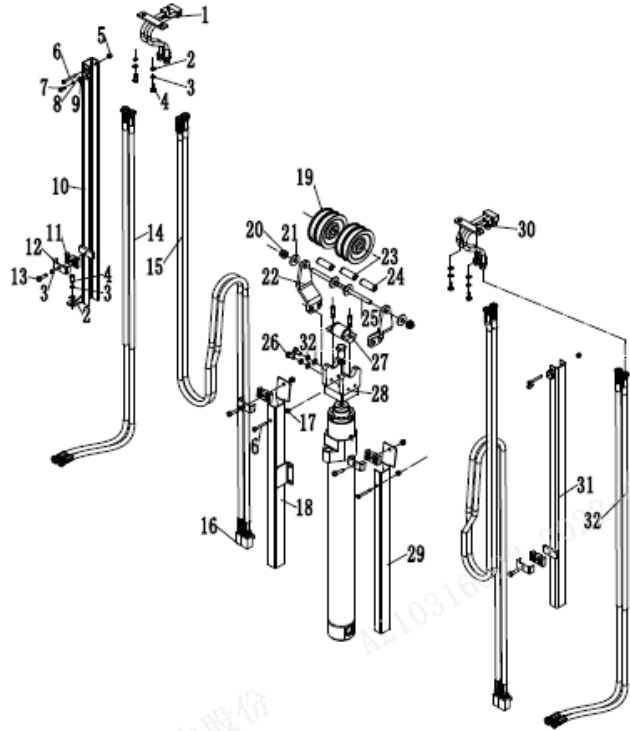


序号/NO	编码/SN	Name	名称	数量/QTY	备注/Remark
17	254128510018	Groove welding L=1505	外导槽焊合L=1505	1	H=4000
	254128510019	Groove welding L=1655	外导槽焊合L=1655	1	H=4300
	254128510020	Groove welding L=1755	外导槽焊合L=1755	1	H=4500
18	254128510021	Groove welding L=2030	外导槽焊合L=2030	1	H=5000
19	910200200059	Screw GB70.1-M8x30-8.8	螺钉GB70.1-M8x30-8.8	1	
20	255028520035	Rubber pipe lump	管夹安装板	2	
21	255028520034	Pipe press fixedly plank	胶管固定块	2	
	254128510002	Groove welding (inner)L=515	内导槽焊合L=515	1	H=2500
	254128510003	Groove welding (inner)L=565	内导槽焊合L=565	1	H=2700
	254128510004	Groove welding (inner)L=640	内导槽焊合L=640	1	H=3000
	254128510005	Groove welding (inner)L=715	内导槽焊合L=715	1	H=3300
	254128510006	Groove welding (inner)L=765	内导槽焊合L=765	1	H=3500
	254128510007	Groove welding (inner)L=815	内导槽焊合L=815	1	H=3700
	254128510008	Groove welding (inner)L=890	内导槽焊合L=890	1	H=4000
	254128510009	Groove welding (inner)L=965	内导槽焊合L=965	1	H=4300
	254128510010	Groove welding (inner)L=1015	内导槽焊合L=1015	1	H=4500
22	254128510011	Groove welding (inner)L=1140	内导槽焊合L=1140	1	H=5000
23	910300500003	Nut GB889.1-M6-10	螺母GB889.1-M6-10	1	
24	254128520059	Pulley frame	滑轮支板	1	
	254128520031	Hydraulic hose assembly 10-L2350-	液压管总成(直)10-L2350-1SC-60°	2	H=2500/2700
	254128520052	Hydraulic hose assembly 10-L2650-	液压管总成(直)10-L2650-1CS-60°	2	H=3000/3300
	254128520035	Hydraulic hose assembly 10-L2850-	液压管总成(直)10-L2850-1CS-60°	2	H=3500/3700
	254128520037	Hydraulic hose assembly 10-L3150-	液压管总成(直)10-L3150-1CS-60°	2	H=4000/4300
	254128520039	Hydraulic hose assembly 10-L3250-	液压管总成(直)10-L3250-1SC-60°	2	H=4500
25	254128520040	Hydraulic hose assembly 10-L3500-	液压管总成(直)10-L3500-1SC-60°	2	H=5000
26	910100300025	Bolt GB5783-M8x35-8.8	螺栓GB5783-M8x35-8.8	2	
27	255029020024	Joint 8-M16x1.5-60°	接头(锁定弯)8-2xM16x1.5-60°	2	
28	910800100001	Oring 9.5x1.8	O形圈-内9.5x1.8	4	
29	254142520001	Hydraulic hose assembly (90°)10-L	液压管总成(90°)10-L300-1SC-60°-0°	2	
	255042510004	Side shifter assembly(LH)	侧移器总成(LH)	1	选装/optional
	255042510001	Side shifter assembly(LD)	侧移器总成(LD)	1	选装/optional



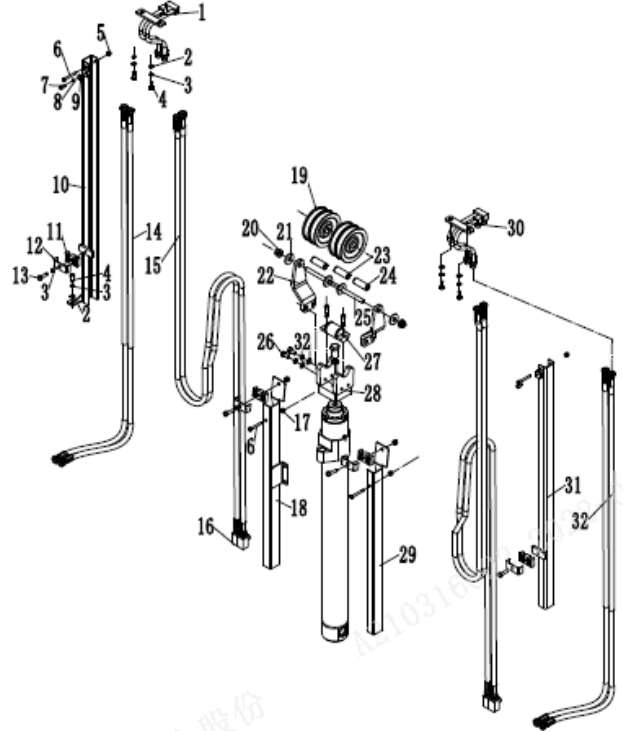


252198501050 双附加管路（二级全自由）/(two stage full free)



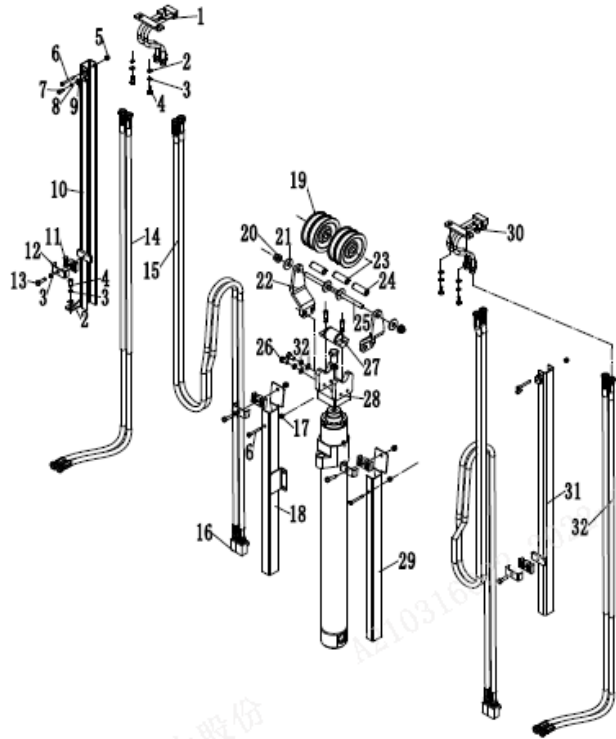
序号/NO	编码/SN	Name	名称	数量/QTY	备注/Remark
1	254129010001	Excessive pipe welding	过度钢管焊接	1	
2	910400100006	Washer GB97.1-8-200HV	平垫圈GB97.1-8-200HV	7	
3	910400500006	Washer GB93-8	弹簧垫圈GB93-8	13	
4	941100400001	Screw M8x20-8.8	螺钉M8x20-8.8	7	
5	910301300002	Nut GB17880.1-M6x16.5	螺母GB17880.1-M6x16.5	2	
6	910100300016	Blot GB5783-M6x50-8.8	螺栓GB5783-M6x50-8.8	4	
7	941100100009	Screw M6X12-8.8	螺钉M6x12-8.8	2	
8	910400100005	Washer GB97.1-6-200HV	平垫圈GB97.1-6-200HV	2	
9	910400500005	Washer GB93-6	弹簧垫圈GB93-6	2	
10	254129010002	Groove welding(outer) L=705	外导槽焊接L=705	2	H=2500
	254129010003	Groove welding(outer) L=805	外导槽焊接L=805	2	H=2700
	254129010004	Groove welding(outer) L=955	外导槽焊接L=955	2	H=3000
	254129010005	Groove welding(outer) L=1105	外导槽焊接L=1105	2	H=3300
	254129010006	Groove welding(outer) L=1205	外导槽焊接L=1205	2	H=3500
	254129010007	Groove welding(outer) L=1305	外导槽焊接L=1305	2	H=3700
	254129010008	Groove welding(outer) L=1505	外导槽焊接L=1505	2	H=4000
	254129010009	Groove welding(outer) L=1655	外导槽焊接L=1655	2	H=4300
	254129010010	Groove welding(outer) L=1755	外导槽焊接L=1755	2	H=4500
	254129010011	Groove welding(outer) L=2030	外导槽焊接L=2030	2	H=5000
11	255028520034	Pipe press fixedly piank	胶管固定块	4	
12	255028520035	Rubber pipe lump	安装板(管夹)	4	
13	910200200059	Screw GB70.1-M8x30-8.8	螺钉GB70.1-M8x30-8.8	4	
14	255023520036	Hydraulic hose assembly 10-L1800	液压管总成(直)10-L1800-1SC-60°	2	H=2500
	255028520016	Hydraulic hose assembly 10-L1930	液压管总成(直)10-L1930-1SC-60°	2	H=2700
	255030520711	Hydraulic hose assembly 10-L2090	液压管总成(直)10-L2090-1SC-60°	2	H=3000
	252030520016	Hydraulic hose assembly 10-L2220	液压管总成(直)10-L2220-1SC-60°	2	H=3300
	255031020009	Hydraulic hose assembly 10-L2340	液压管总成(直)10-L2340-1SC-60°	2	H=3500
	256531020701	Hydraulic hose assembly 10-L2430	液压管总成(直)10-L2430-1SC-60°	2	H=3700
	255030520004	Hydraulic hose assembly 10-L2610	液压管总成(直)10-L2610-1SC-60°	2	H=4000
	254131020006	Hydraulic hose assembly 10-L2750	液压管总成(直)10-L2750-1SC-60°	2	H=4300
	254128520035	Hydraulic hose assembly 10-L2850	液压管总成(直)10-L2850-1SC-60°	2	H=4500

252198501050 双附加管路（二级全自由）/(two stage full free)



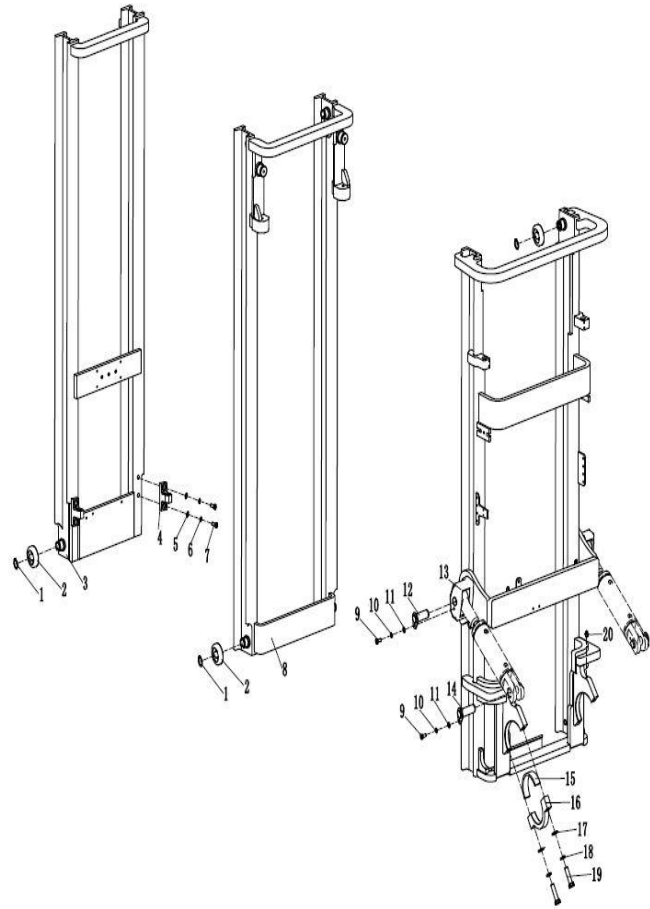
序号/NO	编码/SN	Name	名称	数量/QTY	备注/Remark
14	254130520002	Hydraulic hose assembly 10-L3110	液压管总成(直)10-L3110-1SC-60°	2	H=5000
15	254128520031	Hydraulic hose assembly 10-L2350	液压管总成(直)10-L2350-1SC-60°	4	H=2500/2700
	254128520052	Hydraulic hose assembly 10-L2650	液压管总成(直)10-L2650-1SC-60°	4	H=3000/3300
	254128520035	Hydraulic hose assembly 10-L2850	液压管总成(直)10-L2850-1SC-60°	4	H=3500/3700
	254128520037	Hydraulic hose assembly 10-L3150	液压管总成(直)10-L3150-1SC-60°	4	H=4000/4300
	254128520039	Hydraulic hose assembly 10-L3250	液压管总成(直)10-L3250-1SC-60°	4	H=4500
	254128520040	Hydraulic hose assembly 10-L3500	液压管总成(直)10-L3500-1SC-60°	4	H=5000
16	255029020024	Joint 8-2xM16x1.5-60°	接头(锁定弯)8-2xM16x1.5-60°	4	
17	910300500003	Nut GB889.1-M6-10	螺母GB889.1-M6-10	2	
18	254129010012	Groove welding (inner)L=515	内导槽焊合L=515	1	H=2500
	254129010013	Groove welding (inner)L=565	内导槽焊合L=565	1	H=2700
	254129010014	Groove welding (inner)L=640	内导槽焊合L=640	1	H=3000
	254129010015	Groove welding (inner)L=715	内导槽焊合L=715	1	H=3300
	254129010016	Groove welding (inner)L=765	内导槽焊合L=765	1	H=3500
	254129010017	Groove welding (inner)L=815	内导槽焊合L=815	1	H=3700
	254129010018	Groove welding (inner)L=890	内导槽焊合L=890	1	H=4000
	254129010019	Groove welding (inner)L=965	内导槽焊合L=965	1	H=4300
	254129010020	Groove welding (inner)L=1015	内导槽焊合L=1015	1	H=4500
	254129010021	Groove welding (inner)L=1140	内导槽焊合L=1140	1	H=5000
19	255030520021	pulleyΦ110x27	滑轮Φ110x27(单槽)	4	
20	910300500003	Nut GB889.1-M6-10	螺母GB889.1-M6-10	2	
21	910400200005	Washer GB96.1-12-200HV	大垫圈GB96.1-12-200HV	4	
22	254128520059	Pulley frame	滑轮支板	2	
23	254129020053	BushΦ18xΦ14x56	隔套Φ18xΦ14x56	1	
24	255030520022	BushΦ20xΦ13x56	衬套Φ20xΦ13x56	2	
25	254129020054	Axle	滑轮销轴	1	
26	910200200059	Screw GB70.1-M8x30-8.8	螺钉GB70.1-M8x30-8.8	4	
27	254143520056	Axle Φ40x91	轮轴Φ40x91	1	
28	254143510050	sprocket seat welded	链轮座焊合	1	
29	254128510002	Groove welding (inner)L=515	内导槽焊合L=515	1	H=2500
	254128510003	Groove welding (inner)L=565	内导槽焊合L=565	1	H=2700

252198501050双附加管路（二级全自由）/DOUBLE ADDITIONAL TUBE(two stage full free)



序号/NO	编码/SN	Name	名称	数量/QTY	备注/Remark
29	254128510004	Groove welding (inner)L=640	内导槽焊合L=640	1	H=3000
	254128510005	Groove welding (inner)L=715	内导槽焊合L=715	1	H=3300
	254128510006	Groove welding (inner)L=765	内导槽焊合L=765	1	H=3500
	254128510007	Groove welding (inner)L=815	内导槽焊合L=815	1	H=3700
	254128510008	Groove welding (inner)L=890	内导槽焊合L=890	1	H=4000
	254128510009	Groove welding (inner)L=965	内导槽焊合L=965	1	H=4300
	254128510010	Groove welding (inner)L=1015	内导槽焊合L=1015	1	H=4500
	254128510011	Groove welding (inner)L=1140	内导槽焊合L=1140	1	H=5000
30	254128510001	Excessive pipe welding	过度钢管焊合	1	
31	254128510012	Groove welding L=705	外导槽焊合L=705	1	H=2500
	254128510013	Groove welding L=805	外导槽焊合L=805	1	H=2700
	254128510014	Groove welding L=950	外导槽焊合L=950	1	H=3000
	254128510015	Groove welding L=1105	外导槽焊合L=1105	1	H=3300
	254128510016	Groove welding L=1205	外导槽焊合L=1205	1	H=3500
	254128510017	Groove welding L=1305	外导槽焊合L=1305	1	H=3700
	254128510018	Groove welding L=1505	外导槽焊合L=1505	1	H=4000
	254128510019	Groove welding L=1655	外导槽焊合L=1655	1	H=4300
	254128510020	Groove welding L=1755	外导槽焊合L=1755	1	H=4500
	254128510021	Groove welding L=2030	外导槽焊合L=2030	1	H=5000
	32	255030520709	Hydraulic hose assembly 10-L1580	液压管总成(直)10-L1580-1SC-60°	2
281229020021		Hydraulic hose assembly 10-L1650	液压管总成(直)10-L1650-1SC-60°	2	H=2700
252128521001		Hydraulic hose assembly 10-L1810	液压管总成(直)10-L1810-1SC-60°	2	H=3000
263030520013		Hydraulic hose assembly 10-L1895	液压管总成(直)10-L1895-1SC-60°	2	H=3300
255030520711		Hydraulic hose assembly 10-L2090	液压管总成(直)10-L2090-1SC-60°	2	H=3500
252030520016		Hydraulic hose assembly 10-L2220	液压管总成(直)10-L2220-1SC-60°	2	H=3700
263030520017		Hydraulic hose assembly 10-L2390	液压管总成(直)10-L2390-1SC-60°	2	H=4000
281229020031		Hydraulic hose assembly 10-L2550	液压管总成(直)10-L2550-1SC-60°	2	H=4300
255030520004		Hydraulic hose assembly 10-L2610	液压管总成(直)10-L2610-1SC-60°	2	H=4500
252130520701		Hydraulic hose assembly 10-L2915	液压管总成(直)10-L2915-1SC-60°	2	H=5000

252198501051 门架(三级全自由)

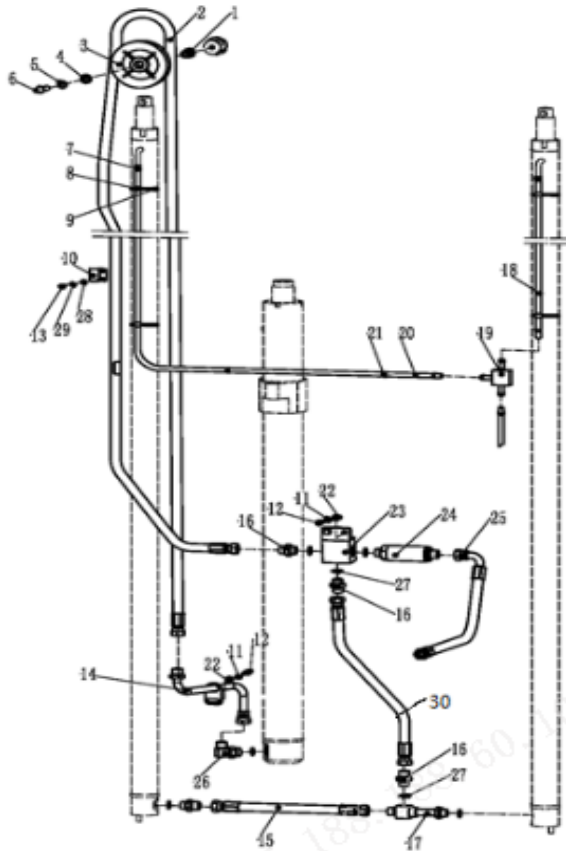


序号/NO	编码/SN	Name	名称	数量/QTY	备注/Remark
1	910401300018	Circlip GB894.1-35	轴用弹性挡圈GB894.1-35	8	
2	940200300049	Composite roller $\Phi 78.8 = 52.5-56.5$	复合滚轮 $\Phi 78.8$ -range=52.5-56.5(外圈)	8	选装/optional
	940200300050	Composite roller $\Phi 79.1 = 52.5-56.5$	复合滚轮 $\Phi 79.1$ -range=52.5-56.5(外圈)	8	选装/optional
	940200300032	Composite roller $\Phi 79.4 = 52.5-56.5$	复合滚轮 $\Phi 79.4$ -range=52.5-56.5(外圈)	8	选装/optional
3	254144510001	Mast 4000	外门架焊合4000	1	H=4000
	254144510002	Mast 4350	外门架焊合4350	1	H=4350
	254144510003	Mast 4500	外门架焊合4500	1	H=4500
	254144510004	Mast 4800	外门架焊合4800	1	H=4800
	254144510005	Mast 5000	外门架焊合5000	1	H=5000
	254144510006	Mast 5500	外门架焊合5500	1	H=5500
	254144510007	Mast 6000	外门架焊合6000	1	H=6000
4	254144520030	Embrace hoop	内门架链条固定板	2	
5	910400100010	Washer GB97.1-16200HV	平垫圈GB97.1-16-200HV	4	
6	910400500010	Washer GB93-16	弹簧垫圈GB93-16	4	
7	910100400028	Bolt GB5786-M16x1.5 x35-8.8	螺栓GB5786-M16x1.5x35-8.8	4	
8	254144510023	Mast 4000	中门架焊合4000	1	H=4000
	254144510024	Mast 4350	中门架焊合4350	1	H=4350
	254144510025	Mast 4500	中门架焊合4500	1	H=4500
	254144510026	Mast 4800	中门架焊合4800	1	H=4800
	254144510027	Mast 5000	中门架焊合5000	1	H=5000
	254144510028	Mast 5500	中门架焊合5500	1	H=5500
	254144510029	Mast 6000	中门架焊合6000	1	H=6000
9	910100300035	Bolt GB5783-M10x20-8.8	螺栓GB5783-M10x20-8.8	4	
10	910400500007	Washer GB93-10	弹簧垫圈GB93-10	4	
11	910400100007	Washer GB97.1-10-200HV	平垫圈GB97.1-10-200HV	4	
12	255044010057	Axle $\phi 30 \times 82$	带耳轴 $\phi 30 \times 82$	2	
13	254144510037	Mast4000	内门架焊合4000	1	H=4000
	254144510038	Mast4350	内门架焊合4350	1	H=4350
	254144510039	Mast4500	内门架焊合4500	1	H=4500
	254144510040	Mast4800	内门架焊合4800	1	H=4800
	254144510041	Mast 5000	内门架焊合5000	1	H=5000





252198501052门架起升管路(三级全自由)/ Mast lifting pipeline(three stage full free lift)

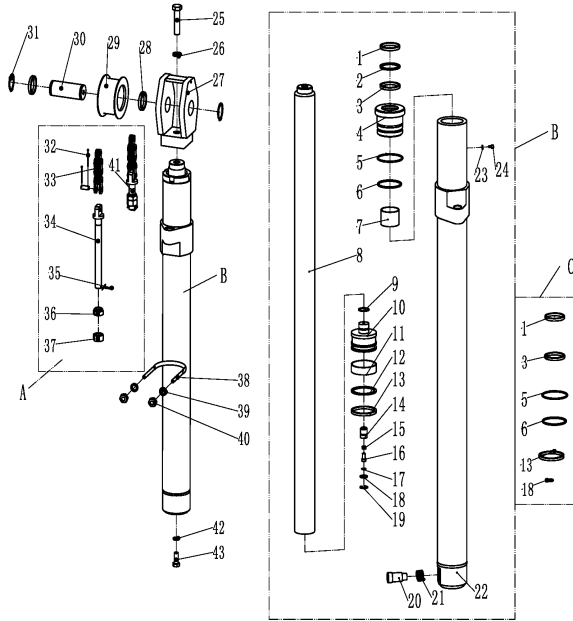


序号/NO	编码/SN	Name	名称	数量/QTY	备注/Remark
1	255044520081	Bushing	衬套(带肩) φ20xφ13x28	1	
2	254144520041	Hydraulic hose assembly 12-L2900	液压管总成(直) 12-L2900-2CS-60°	1	H=4000
	254144520042	Hydraulic hose assembly 12-L3150	液压管总成(直) 12-L3150-2CS-60°	1	H=4350
	254144520043	Hydraulic hose assembly 12-L3250	液压管总成(直) 12-L3250-2CS-60°	1	H=4500
	254144520044	Hydraulic hose assembly 12-L3450	液压管总成(直) 12-L3450-2CS-60°	1	H=4800
	254144520045	Hydraulic hose assembly 12-L3650	液压管总成(直) 12-L3650-2CS-60°	1	H=5000
	254144520046	Hydraulic hose assembly 12-L3950	液压管总成(直) 12-L3950-2CS-60°	1	H=5500
	254144520047	Hydraulic hose assembly 12-L4350	液压管总成(直) 12-L4350-2SC-60°	1	H=6000
3	255030520021	Pulley φ 110x27(single groove)	滑轮φ110x27(单槽)	1	
4	910400100008	Washer GB97.1-12-200HV	平垫圈GB97.1-12-200HV	1	
5	910400500008	Washer GB93-12	弹簧垫圈GB93-12	1	
6	910100300054	Bolt GB5783-M12x50-8.8	螺栓GB5783-M12x50-8.8	1	
7	255044020043	Hoop	弹性卡箍	6	
8	921600400001	Strip 4x250	扎带4x250	6	
9	255044020042	Hose press plate	软管压板	5	
10	255044520132	Tubing clamps	油管夹	4	
11	910400500006	Washer GB93-8	弹簧垫圈GB93-8	5	
12	910100300023	Bolt GB5783-M8x25-8.8	螺栓GB5783-M8x25-8.8	1	
13	910200200035	Bolt GB70.1-M6x16-8.8	螺栓GB70.1-M6x16-8.8	4	
14	254144510021	Medium urn traist steel pipe	中缸过渡钢管	1	
15	254144020039	Hydraulic hose assembly 13-L345-2	液压管总成(直) 13-L345-2SC-60°	1	
16	254144520040	Joint 10-M22x1.5-M18x1.5-60°	接头(直)10-M22x1.5-M18x1.5-60°	3	
17	254144020038	Joint	接头(三通)	1	
18	▲	PE soft pipe φ 10x φ 139	PE软管φ10xφ13	1	
19	251044020077	Joint	三通接头	1	
20	▲	PE soft pipe φ 10x φ 139	PE软管φ10xφ13	1	
21	921600400003	Strip P/N 156-00646	带扣扎带 P/N 156-00646	2	
22	910400100006	Washer GB97.1-8-200HV	平垫圈GB97.1-8-200HV	3	
23	254144510022	Three joint welding	三通焊接	1	
24	950700300001	Speed limit valve	限速阀	1	
25	254144520048	Hydraulic hose assembly (90°) 15-L800-2SC-60°	液压管总成(90°)15-L800-2SC-60°	1	



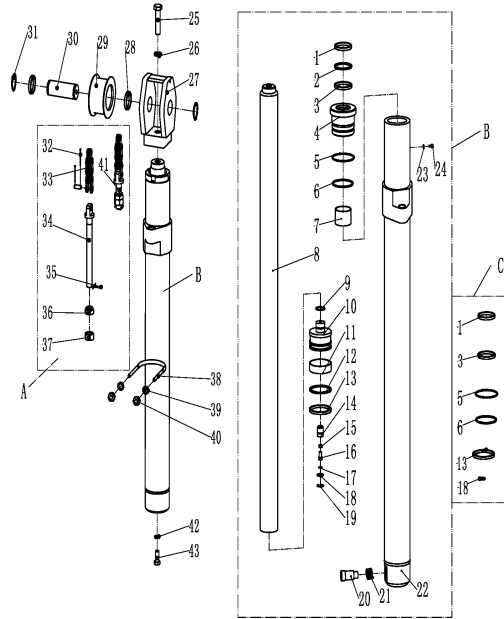


252198501053短升降油缸 (三级全自由) /Short lifting cylinder (three stage full free)



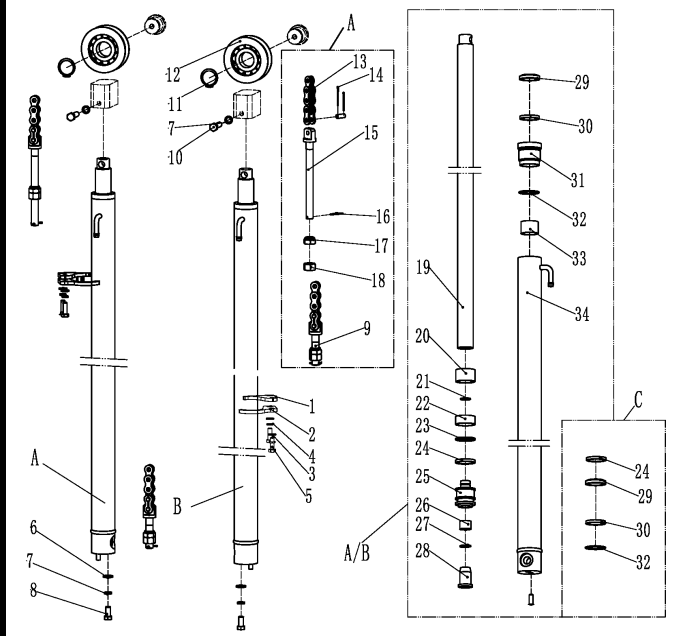
序号/NO	编码/SN	Name	名称	数量/QTY	备注/Remark
A	254144510014	Lifting chain LH1266-69	起升链条LH1266-69	2	H=4000
	254143510061	Lifting chain LH1266-71	起升链条LH1266-71	2	H=4350
	254144510015	Lifting chain LH1266-73	起升链条LH1266-73	2	H=4500
	254144510016	Lifting chain LH1266-75	起升链条LH1266-75	2	H=4800
	254144510017	Lifting chain LH1266-77	起升链条LH1266-77	2	H=5000
	254144540004	Lifting chain LH1266-81	起升链条LH1266-81	2	H=5500
	254143510063	Lifting chain LH1266-87	起升链条LH1266-87	2	H=6000
B	254144510030	Cylinder (M)(H=4000)	油缸(M)(H=4000)	1	H=4000
	254144510031	Cylinder (M)(H=4350)	油缸(M)(H=4350)	1	H=4350
	254144510032	Cylinder (M)(H=4500)	油缸(M)(H=4500)	1	H=4500
	254144510033	Cylinder (M)(H=4800)	油缸(M)(H=4800)	1	H=4800
	254144510034	Cylinder (M)(H=5000)	油缸(M)(H=5000)	1	H=5000
	254144510035	Cylinder (M)(H=5500)	油缸(M)(H=5500)	1	H=5500
	254144510036	Cylinder (M)(H=6000)	油缸(M)(H=6000)	1	H=6000
C	254198510005	Seal kits (three stage full free lifting	密封件修理包(三级全自由中缸)	1	
1	▲	Dust ring	防尘圈	1	
2	▲	Catch 50x60x3	挡片 50x60x3	1	
3	▲	Seal ring	轴用密封	1	
4	▲	Glide sleeve	导向套	1	
5	▲	O ring D75	O型密封圈D75	1	
6	▲	O ring D75	O型密封圈D70	1	
7	▲	Bearing5035	钢背轴承 5035	1	
8	▲	Piston rod	活塞杆	1	
9	▲	Circlip	钢丝挡圈	1	
10	▲	Piston assembly	活塞体	1	
11	▲	Support ring 70x20x3	支承环70x20x3	1	
12	▲	Catch 70x60x3	挡片 70x60x3	1	
13	▲	Seal ring	孔用密封圈	1	
14	▲	Valve cover	阀套	1	
15	▲	Spring	弹簧	1	
16	▲	Valve plug	阀芯	1	

252198501053 短升降油缸 (三级全自由) /Short lifting cylinder (three stage full free)



序号/NO	编码/SN	Name	名称	数量/QTY	备注/Remark
17	▲	Catch	挡片	1	
18	▲	O ring	O型密封圈D20x2.4	1	
19	▲	Circlip 22	挡圈 22	1	
20	▲	Slide valve	滑阀	1	
21	▲	Spring2.3x15x48.5	弹簧2.3x15x48.5	1	
22	▲	Cylinder	缸体	1	
23	▲	Spacer	垫片	1	
24	▲	Screw M5x5	内六角圆柱头螺钉M5x5	1	
25	910100300069	Bolt GB5783-M16x35-8.8	螺栓5783-M16x35-8.8	1	
26	910400500010	SpringWasherGB93-16	弹簧垫圈GB93-16	1	
27	254144510020	Chain wheel base	链轮座	1	
28	254144520029	Chain wheel washer	链轮垫圈	1	
29	940200500009	Chain wheel bearing 785208-00-φ95	链轮轴承785208-00-φ95xφ40x47	1	
30	254144520031	Chain wheel bearing	链轮轴	1	
31	910401300020	Circlip GB894.1-40	轴用弹性挡圈GB894.1-40	2	
32	910600600011	Split pin 2X12	开口销GB91-2x12	2	
33	910900400013	LH1266 chain	板式链GB6074-LH1266	1	
34	254143520070	Joint	链条螺栓M18x1.5x185.5	1	
35	910600600032	Split pin GB91-3.2x40	开口销GB91-3.2x40	2	
36	255044020158	Nut M18x1.5	球面螺母M18x1.5	2	
37	910300400007	Nut M18x1.5	螺母M18X1.5	2	
38	254144520032	Hydro cylinder fixed loop	油缸固定环	1	
39	910400500006	Spring Washer GB93-8	弹簧垫圈GB93-8	2	
40	910300100006	Bolt GB6170-M8-10	螺母GB6170-M8-10	2	
41	254143520071	Joint	短端接头	2	
42	910400500008	SpringWasherGB93-12	弹簧垫圈GB93-12	1	
43	910100400009	BoltGB5786-M12x1.25x25-8.8	螺栓GB5786-M12x1.25x25-8.8	1	

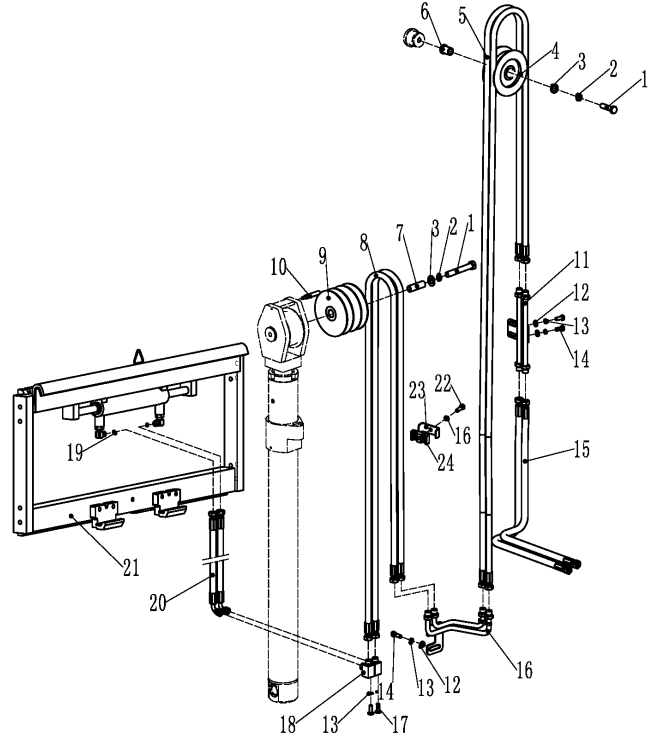
252198501054 起升油缸(三级全自由)/Lifting cylinder(three stage full free)



序号/NO	编码/SN	Name	名称	数量/QTY	备注/Remark
A	254144510044	Cylinder (L)(H=4000)	油缸(L)(H=4000)	1	H=4000
	254144510045	Cylinder (L)(H=4350)	油缸(L)(H=4350)	1	H=4350
	254144510046	Cylinder (L)(H=4500)	油缸(L)(H=4500)	1	H=4500
	254144510047	Cylinder (L)(H=4800)	油缸(L)(H=4800)	1	H=4800
	254144510048	Cylinder (L)(H=5000)	油缸(L)(H=5000)	1	H=5000
	254144510049	Cylinder (L)(H=5500)	油缸(L)(H=5500)	1	H=5500
	254144510050	Cylinder (L)(H=6000)	油缸(L)(H=6000)	1	H=6000
B	254144510051	CyRinder (R)(H=4000)	油缸(R)(H=4000)	1	H=4000
	254144510052	CyRinder (R)(H=4350)	油缸(R)(H=4350)	1	H=4350
	254144510053	CyRinder (R)(H=4500)	油缸(R)(H=4500)	1	H=4500
	254144510054	CyRinder (R)(H=4800)	油缸(R)(H=4800)	1	H=4800
	254144510055	CyRinder (R)(H=5000)	油缸(R)(H=5000)	1	H=5000
	254144510056	CyRinder (R)(H=5500)	油缸(R)(H=5500)	1	H=5500
	254144510057	CyRinder (R)(H=6000)	油缸(R)(H=6000)	1	H=6000
C	254198510003	Seal kits(three stage full free lifting c	密封件修理包(三级全自由起升缸)	2	
D	252044510006	Lifting chainLH1234-95	起升链条LH1234-95	2	H=4000
	251244014003	Lifting chainLH1234-101	起升链条LH1234-101	2	H=4350
	252144014003	Lifting chainLH1234-105	起升链条LH1234-105	2	H=4500
	251244014004	Lifting chainLH1234-109	起升链条LH1234-109	2	H=4800
	251244514005	Lifting chainLH1234-115	起升链条LH1234-115	2	H=5000
	252144014002	Lifting chainLH1234-123	起升链条LH1234-123	2	H=5500
	252144014006	Lifting chainLH1234-133	起升链条LH1234-133	2	H=6000
1	254144520093	Inner hoop	内抱箍	2	
2	254144520092	Outer hoop	外抱箍	2	
3	910400500007	Washer GB93-10	弹簧垫圈GB93-10	4	
4	910400100007	Washer GB97.1-10-200HV	平垫圈GB97.1-10-200HV	4	
5	910100300037	BoltM10x30	螺栓GB5783-M10x30-8.8	4	
6	910400100008	Washer GB97.1-12-200HV	平垫圈GB97.1-12-200HV	2	
7	910400500008	Washer GB93-12	弹簧垫圈GB93-12	4	
8	910100400009	Bolt GB5786-M12x1.25x25-8.8	螺栓GB5786-M12x1.25x25-8.8	2	
9	251044020064	Chain bolt	链条螺栓M16x1.5-90	2	



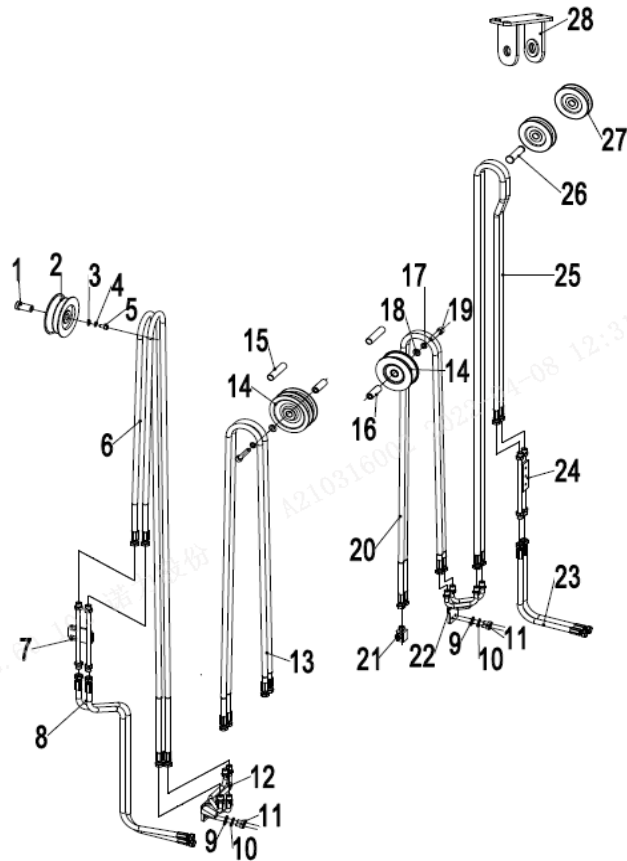
252198501055 侧移器及管路安装(三级全自由)/Side shifter and pipeline installation(three stage full free)



序号/NO	编码/SN	Name	名称	数量/QTY	备注/Remark
1	910100300054	BoltGB5783-M12x80-8.8	螺栓GB5783-M12x80-8.8	1	
2	910400500008	Washer GB93-12	弹簧垫圈GB93-12	1	
3	910400200005	Washer GB96.1-12-200HV	大垫圈GB96.1-12-200HV	2	
4	255030520020	Pulley	滑轮	1	
5	255030520001	Hydraulic hose assembly10-L2060-	液压管总成(直)10-L2060-1SC-60°	1	H=4000
	255030520002	Hydraulic hose assembly 10-L2310-	液压管总成(直)10-L2310-1SC-60°	1	H=4350
	255030520003	Hydraulic hose assembly10-L2410-	液压管总成(直)10-L2410-1SC-60°	1	H=4500
	255030520004	Hydraulic hose assembly 10-L2610-	液压管总成(直)10-L2610-1SC-60°	1	H=4800
	254130520001	Hydraulic hose assembly 10-L2810-	液压管总成(直)10-L2810-1SC-60°	1	H=5000
	254130520002	Hydraulic hose assembly 10-L3110-	液压管总成(直)10-L3110-1SC-60°	1	H=5500
	254130520003	Hydraulic hose assembly 10-L3510-	液压管总成(直)10-L3510-1SC-60°	1	H=6000
6	254130520016	Bush $\phi 20x\phi 13x43$	衬套 $\phi 20x\phi 13x43$	1	
7	255030520022	Bush $\phi 22x\phi 13x56$	衬套 $\phi 22x\phi 13x56$	1	
8	254130520004	Hydraulic hose assembly10-L1795-	液压管总成(直)10-L1795-1SC-60°	2	H=4000
	254130520005	Hydraulic hose assembly10-L1890-	液压管总成(直)10-L1890-1SC-60°	2	H=4350
	255030520025	Hydraulic hose assembly10-L1940-	液压管总成(直)10-L1940-1SC-60°	2	H=4500
	254130520006	Hydraulic hose assembly10-L2040-	液压管总成(直)10-L2040-1SC-60°	2	H=4800
	254130520007	Hydraulic hose assembly10-L2140-	液压管总成(直)10-L2140-1SC-60°	2	H=5000
	255030520002	Hydraulic hose assembly10-L2310-	液压管总成(直)10-L2310-1SC-60°	2	H=5500
	254130520009	Hydraulic hose assembly10-L2470-	液压管总成(直)10-L2470-1SC-60°	2	H=6000
9	255030520021	Pulley $\phi 110x27$	滑轮 $\phi 110x27$ (单槽)	2	
10	254130520014	Pulley pole	滑轮挡杆	1	
11	255030520018	Hydraulic steel pipe welding	液压钢管焊接	1	
12	910400100006	Washer GB97.1-16-200HV	平垫圈GB97.1-8-200HV	3	
13	910400100006	Washer GB93-8	弹簧垫圈GB93-8	5	
14	910100300022	Bolt GB5783-M8x20-8.8	螺栓GB5783-M8x20-8.8	3	
15	252130520004	Hydraulic hose assembly 10-L1120-	液压管总成(直)10-L1120-1SC-60°	2	
16	254130510001	Sideway steel pipe	侧移钢管	1	
17	910200200059	Screw GB70.1-M8x35-8.8	螺钉GB70.1-M8x30-8.8	2	
18	255029020024	Joint 8-M16x1.5-60°	接头(锁定弯)8-2xM16x1.5-60°	2	
19	910800100001	Oring 9.5x1.8	O形圈-内9.5x1.8	4	



252198501056 双附加管路(三级全自由)/DOUBLE ADDITIONAL TUBE(three stage full free)



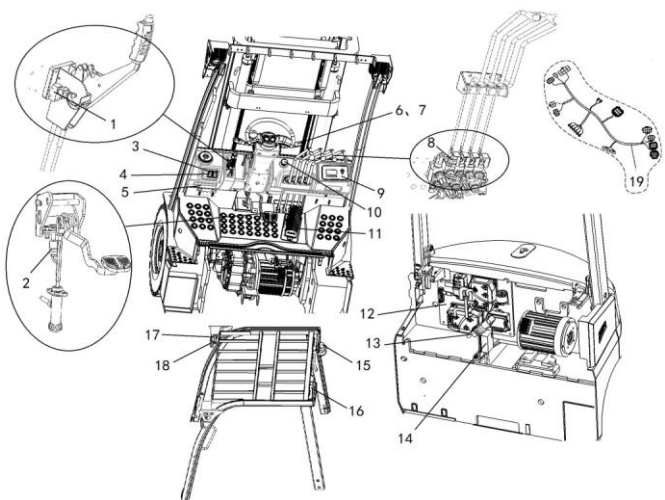
序号/NO	编码/SN	Name	名称	数量/QTY	备注/Remark
1	254130520016	Bush $\Phi 20 \times \Phi 13 \times 43$	衬套 $\Phi 20 \times \Phi 13 \times 43$	1	
2	255030520020	Pulley $\Phi 120 \times 42$	滑轮 $\Phi 120 \times 42$ (双槽)	1	
3	910400200005	Washer GB96.1-12-200HV	大垫圈GB96.1-12-200HV	3	
4	910400500008	Washer GB93-12	弹簧垫圈GB93-12	3	
5	910100100048	Bolt GB5782-M12x50-8.8	螺栓GB5782-M12x50-8.8	3	
6	255030520001	Hydraulic hose assembly 10-L2060	液压管总成(直)10-L2060-1SC-60°	2	H=4000
	255030520002	Hydraulic hose assembly 10-L2310	液压管总成(直)10-L2310-1SC-60°	2	H=4350
	255030520003	Hydraulic hose assembly 10-L2410	液压管总成(直)10-L2410-1SC-60°	2	H=4500
	255030520004	Hydraulic hose assembly 10-L2610	液压管总成(直)10-L2610-1SC-60°	2	H=4800
	254130520001	Hydraulic hose assembly 10-L2810	液压管总成(直)10-L2810-1SC-60°	2	H=5000
	254130520002	Hydraulic hose assembly 10-L3110	液压管总成(直)10-L3110-1SC-60°	2	H=5500
	254130520003	Hydraulic hose assembly 10-L3510	液压管总成(直)10-L3510-1SC-60°	2	H=6000
7	255030520018	Hydraulic steel pipe welding 1	液压钢管焊接1	1	
8	252130520004	Hydraulic hose assembly 10-L1120	液压管总成(直)10-L1120-1SC-60°	2	
9	910400100006	Washer GB97.1-8-200HV	平垫圈GB97.1-8-200HV	8	
10	910400500006	Washer GB93-8	弹簧垫圈GB93-8	8	
11	910100300022	Bolt GB5783-M8x20-8.8	螺栓GB5783-M8x20-8.8	8	
12	255030520019	Hydraulic steel pipe welding 2	液压钢管焊接2	1	
13	255028520015	Hydraulic hose assembly 10-L1770	液压管总成(直)10-L1770-1SC-60°	2	H=4000
	254130520005	Hydraulic hose assembly 10-L1890	液压管总成(直)10-L1890-1SC-60°	2	H=4350
	255030520025	Hydraulic hose assembly 10-L1940	液压管总成(直)10-L1940-1SC-60°	2	H=4500
	254130520006	Hydraulic hose assembly 10-L2040	液压管总成(直)10-L2040-1SC-60°	2	H=4800
	254130520007	Hydraulic hose assembly 10-L2140	液压管总成(直)10-L2140-1SC-60°	2	H=5000
	255030520002	Hydraulic hose assembly 10-L2310	液压管总成(直)10-L2310-1SC-60°	2	H=5500
	254130520009	Hydraulic hose assembly 10-L2470	液压管总成(直)10-L2470-1SC-60°	2	H=6000
14	255030520021	Pulley $\Phi 110 \times 27$	滑轮 $\Phi 110 \times 27$ (单槽)	4	
15	254130520014	Pulley pole	滑轮挡杆	2	
16	255030520022	Bush $\Phi 20 \times \Phi 13 \times 56$	衬套 $\Phi 20 \times \Phi 13 \times 56$	1	
17	910100100058	Bolt GB5782-M12x100-8.8	螺栓GB5782-M12x100-8.8	1	
18	910400200005	Washer GB96.1-12-200HV	大垫圈GB96.1-12-200HV	2	
19	910100100056	Bolt GB5782-M12x90-8.8	螺栓GB5782-M12x90-8.8	1	





## 252198501057 电器系统/Electric system

序号/NO	编码/SN	Name	名称	数量/QTY	备注/Remark
1	920200300004	Micro switch RZ-15GQ22-B3	微动开关RZ-15GQ22-B3	1	
2	920201000002	Pedal Switch(JK231)	脚踏开关JK231	1	
3	920200800020	Warped plate switch yb-nuoli-003	翘板开关YB-nuoli-003	1	
4	921900100004	USB	转换器DC24V转5V	1	Opiton
5	920500100001	Horn 125-DC24V	喇叭125-DC24V	1	
6	920200200031	Key switch	钥匙开关	1	
7	920200800013	Combination switch JK361B-1003	组合开关JK361B-1003	1	
8	920200300004	Micro switch RZ-15GQ22-B3	微动开关RZ-15GQ22-B3	3	
9	921100100063	Instrument 3401T-12-96V	仪表3401T-12-96V	1	Curtis系统
	921100100093	Instrument D28C-CC	仪表D28C-CC	1	ACM系统
	921100100045	Instrument IDD-E-35CD17B	仪表IDD-E-35CD17B	1	Inmotion系统
10	920200100020	Emergency stop switch LAY39-01M	急停开关LAY39-01MJ-RC	1	
11	921700100026	Accelerator JCTA-1801E	加速器JCTA-1801E	1	
12	252133010014	Electronic control components(Curtis)	电控组件(Curtis-4P20Q-2)	1	Curtis系统
	252133010102	Electronic control components(ACM)	电控组件(ACM系统-4P20Q)	1	ACM系统
	252133010008	Electronic control components(Inmo)	电控组件(Inmotion-4P20Q-2)	1	Inmotion系统
13	252133010004	Power bus(20Q)	总电源线束(20Q)	1	
14	272333510017	The converter is DC48V to 24V	转换器WDC300NI	1	
15	922000100004	Lamp PDL-LXJD-01Y	灯PDL-LXJD-01Y	1	
16	922000100003	Lamp PDL-LXHW-2	灯PDL-LXHW-2	2	
17	922000100001	Lamp PDL-LXZM-1	灯PDL-LXZM-1	2	
18	922000100002	Lamp PDL-LXXD-1	灯PDL-LXXD-1	2	
19	252133010016	Body wire harness (Curtis-4P20Q-2)	车身线束(Curtis-4P20Q-2)	1	Curtis系统
	252133010103	Body wire harness (ACM-4P20Q)	车身线束(ACM系统-4P20Q)	1	ACM系统
	252133010009	Body wire harness (Inmotion-4P20Q)	车身线束(Inmotion-4P20Q-2)	1	Inmotion系统





252198501059 锂电池及附配重/Lithium Cell

序号/NO	编码/SN	Name	名称	数量/QTY	备注/Remark
1	252137010002	Traction battery 48v-4Pzs460H(bolt)	牵引电池48V-4PzS460H(螺)	1	
	252137010006	Traction battery 48v-4Pzs400(bolt)	牵引电池48V-4PzS400(螺)	1	
	252137010010	Traction battery 48v-4Pzs360(bolt)	牵引电池48V-4PzS360(螺)	1	
2	252198537003	Battery cell 48v-4Pzs460H(weld)	电池单体48V-4PzS460HAh	24	
	252198537007	Battery cell 48v-4Pzs400(weld)	电池单体48V-4PzS400Ah	24	
	252198537011	Battery cell 48v-4Pzs360(weld)	电池单体48V-4PzS360Ah	24	
3	252137012115	Lithium battery48V-210Ah	锂电池48V-210Ah	1	3年型
	252137012114	Lithium battery48V-315Ah	锂电池48V-315Ah	1	
	252137012112	Lithium battery48V-200Ah	锂电池48V-200Ah	1	5年型
	252137012111	Lithium battery48V-300Ah	锂电池48V-300Ah	1	
	252137012116	Lithium battery48V-400Ah	锂电池48V-400Ah	1	
	252137012117	Lithium battery48V-554Ah	锂电池48V-554Ah	1	
	252137012109	Lithium battery48V-200Ah(Heating)	锂电池48V-200Ah(带加热)	1	
	252137012108	Lithium battery48V-300Ah(Heating)	锂电池48V-300Ah(带加热)	1	
	252137012107	Lithium battery48V-400Ah(Heating)	锂电池48V-400Ah(带加热)	1	
	4	921000200273	Charger DF48V55A(CHINESE)	充电器DF48V55A(亚中三相380V)	1
921000200068		Charger SN48V55A(342V-418V)	充电器SN48V55A(亚英三相400V)	1	铅酸/国外
921000200565		Charger SN48V55A(3P 220V)	充电器SN48V55A(美式三相220V)	1	铅酸/美式
921000200072		Charger SN48V55A(3P 480V)	充电器SN48V55A(美式三相480V)	1	铅酸/美式
252136512101		Li-ion Charger 48v70A(3P 380V)	锂电充电器48V70A-REMA(亚中三相380V)	1	200-210Ah/国内
252136512102		Li-ion Charger 48v100A(3P 380V)	锂电充电器48V100A-REMA(亚中三相380V)	1	300-315Ah/国内
252136512107		Li-ion Charger 48v200A(3P 380V)	锂电充电器48V200A-REMA(亚中三相380V)	1	400Ah/国内
252136512112		Li-ion Charger 48v100A(3P 400V)	锂电充电器48V100A-REMA(亚英三相400V)	1	200Ah/国外
254336512117		Li-ion Charger 48v150A(3P 400V)	锂电充电器48V150A-REMA(亚英三相400V)	1	300Ah/国外
255136512107		Li-ion Charger 48v200A(3P 400V)	锂电充电器48V200A-REMA(亚英三相400V)	1	400Ah/国外
252136512114		Li-ion Charger 48v100A(3P 240V)	锂电充电器48V100A-REMA(美式三相240V)	1	200Ah/美式
254336512119		Li-ion Charger 48v150A(3P 240V)	锂电充电器48V150A-REMA(美式三相240V)	1	300Ah/美式
255136512109		Li-ion Charger 48v200A(3P 240V)	锂电充电器48V200A-REMA(美式三相240V)	1	400Ah/美式
252136512115		Li-ion Charger 48v100A(3P 480V)	锂电充电器48V100A-REMA(美式三相480V)	1	200Ah/美式
254336512120		Li-ion Charger 48v150A(3P 480V)	锂电充电器48V150A-REMA(美式三相480V)	1	300Ah/美式
255136512110		Li-ion Charger 48v200A(3P 480V)	锂电充电器48V200A-REMA(美式三相480V)	1	400Ah/美式

