

# Operation Instructions

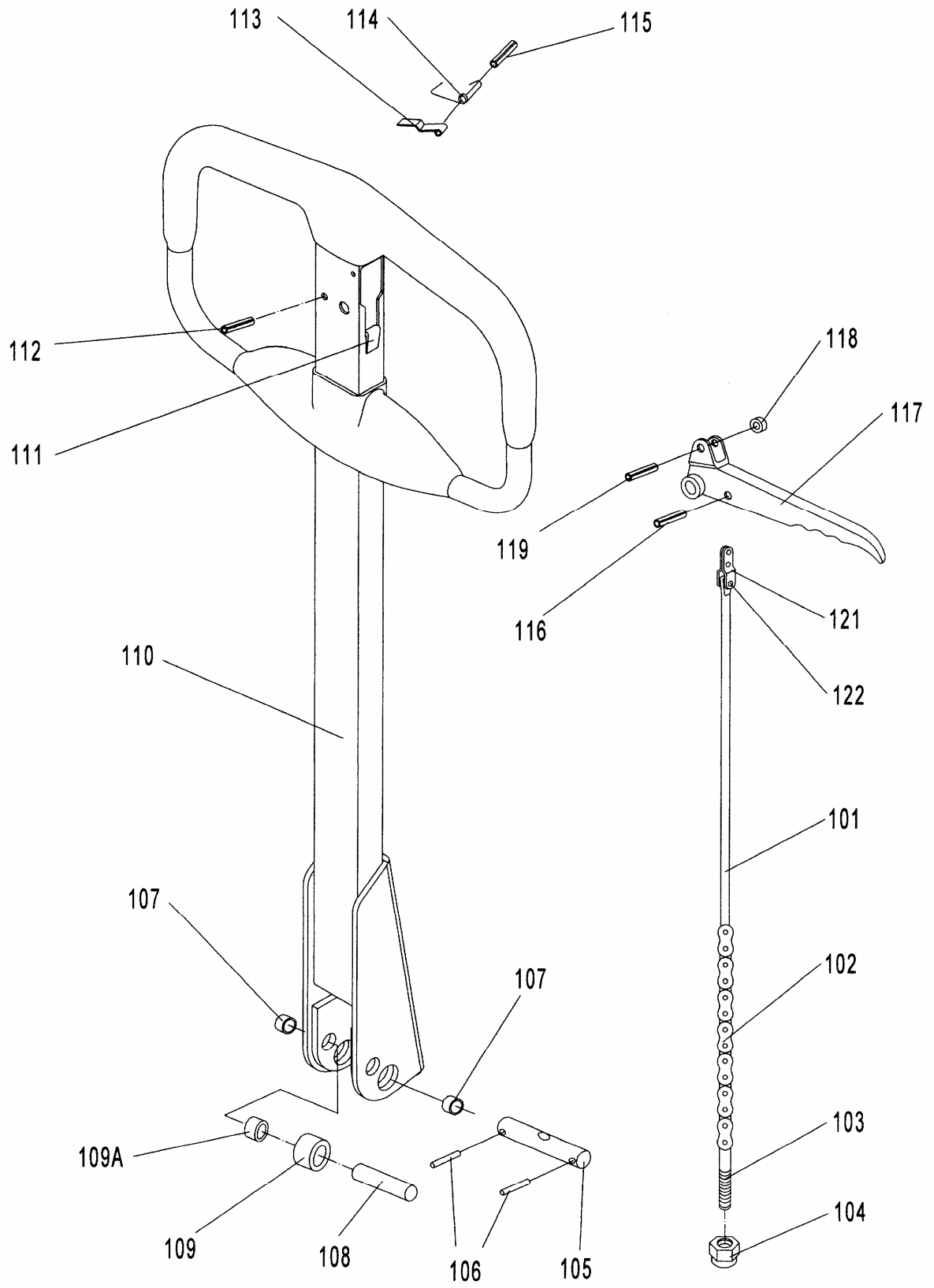
## Parts List



**Hand Pallet Truck**

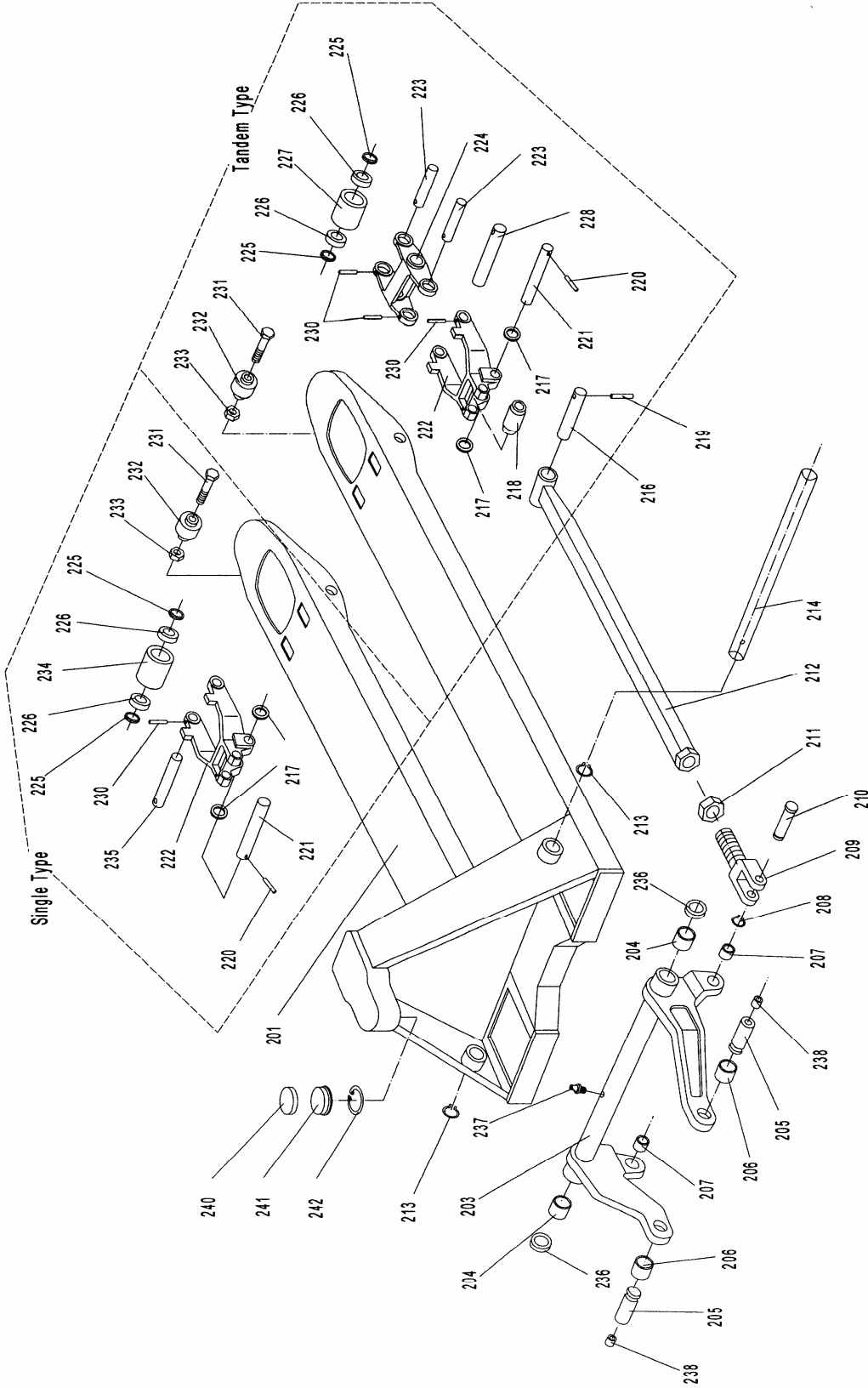
**Note: Operator MUST read and understand these operating instructions before using this Hand Pallet Truck.**

# LIST of DRAW-BAR



<b>No.</b>	<b>Description</b>	<b>Qty.</b>	<b>Remark</b>
101	Release Rod	1	
102	Chain	1	
103	Adjusting Bolt	1	
104	Adjusting Nut	1	
105	Axle with Hole	1	
106	Elastic Pin	2	
107	Bushing	2	
108	Roller Pin	1	
109	Pressure Roller	1	
109A	Bushing	1	
110	Draw-bar	1	
111	Stop Rubber	1	
112	Elastic Pin	1	
113	Blade Spring	1	
114	Spring	1	
115	Elastic Pin	1	
116	Elastic Pin	1	
117	Control Handle	1	
118	Roller	1	
119	Elastic Pin	1	
120			
121	Pull Board	1	
122	Pin	1	

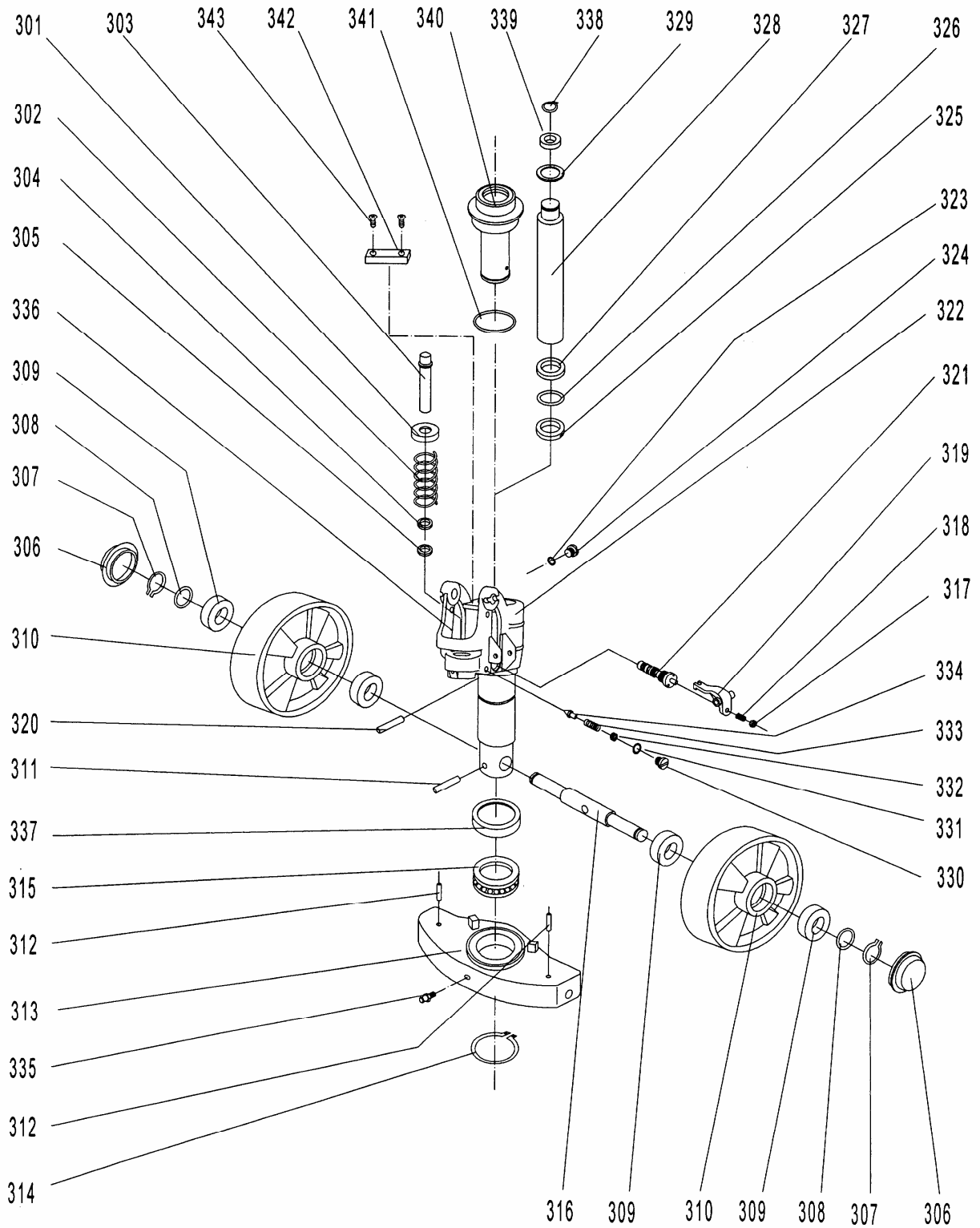
# LIST OF FORK FRAME



<b>No.</b>	<b>Description</b>	<b>Qty</b>	<b>Annotations</b>
201	Fork Frame	1	
202			
203	Rock - Arm	1	
204	Bushing	2	
205	Shaft	2	
206	Bushing	2	
207	Bushing	2	
208	Retaining Ring	2	
209	Joint	2	
210	Pin	2	
211	Nut	2	
212	Pushing Rod	2	
213	Retaining Ring	1	
214	Shaft	1	
215			
216	Shaft	2	
217	Washer	4	
218	Extending Roller	2	
219	Elastic Pin	2	
220	Elastic Pin	2	
221	Shaft	2	
222	Frame of Roller	2	
223*	Shaft for Roller	4	
224*	Link Plate	2	
225	Washer	8 or 4	
226	Bearing	8 or 4	
227*	Loading Roller	4	
228*	Shaft for Link Plate	2	
229			
230	Elastic Pin	6 or 2	
231	Bolt	2	
232	Enter Roller	2	
233	Locking Nut	2	
234#	Loading Roller	2	
235#	Shaft for Roller	2	
236	Washer	2 or 1	
237	Grease Cup	1	
238	Grease Cup	2	
240	Rubber Seat	1	
241	Seat of Bearing	1	
242	Retaining Ring	1	

**For double wheel; #-- For single wheel**

# LIST of HYDRAULIC PUMP



<b>No.</b>	<b>Description</b>	<b>Quantity</b>
301	Spring Cap	1
302	Spring	1
303	Pump Piston	1
304	Dust Ring	1
305	Seal	1
306	Dust Cover	2
307	Locking Ring	2
308	Washer	2
309	Bearing	4
310	Steering Wheel	2
311	Elastic Pin	1
312	Elastic Pin	2
313	Thrust Plate	1
314	Retaining Ring	1
315	Bearing	1
316	Shaft of Steering Wheel	1
317	Nut	1
318	Screw	1
319	Lever Plate	1
320	Elastic Pin	1
321	Valve Cartridge	1
322	Pump Body	1
323	Seal Washer	1
324	Screw Plug	1
325	Seal	1
326	O – Ring	1
327	Dust Ring	1
328	Piston Rod	1
329	Washer	1
330	Screw Plug	1
331	Seal Washer	1
332	Bolt	1
333	Spring	1
334	Spindle of Safety Valve	1
335	Grease Cup	1
336	Cylinder	1
337	Cover of Bearing	1
338	Locking Ring	1
339	Bearing	1
340	Cover of Pump	1
341	O - Ring	1
342	Bar	1
343	Screw	2