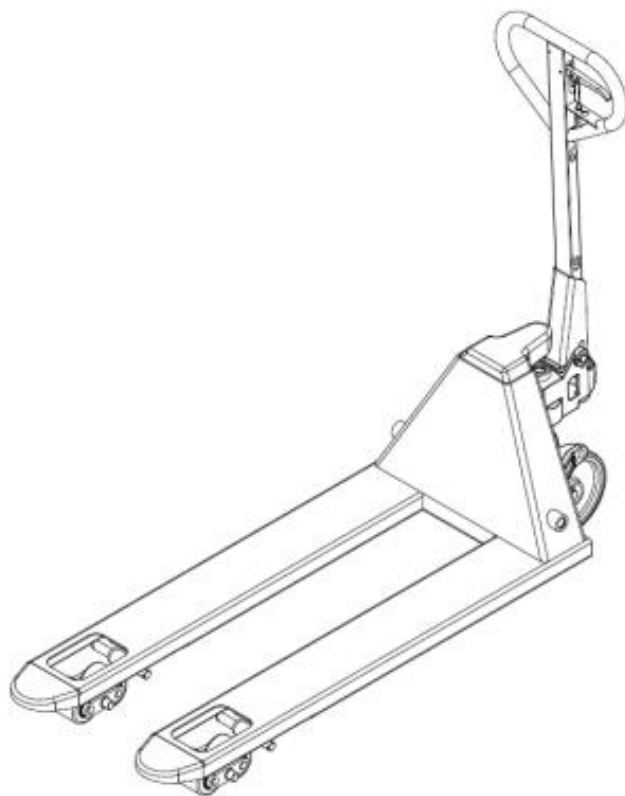


РУКОВОДСТВО ПО ЭКСПЛУАТАЦИИ

Ручная гидравлическая тележка AC20B / AC25B



ПРЕДУПРЕЖДЕНИЕ

Не использовать гидравлическую тележку без изучения данного Руководства по эксплуатации.

ПРИМЕЧАНИЕ:



Проверить соответствие данного оборудования типу, указанному на идентификационной табличке

Version 02/2012

AC20-25B-SMS-003-RU

10. Каталог запасных частей

Fig.1 Tiller

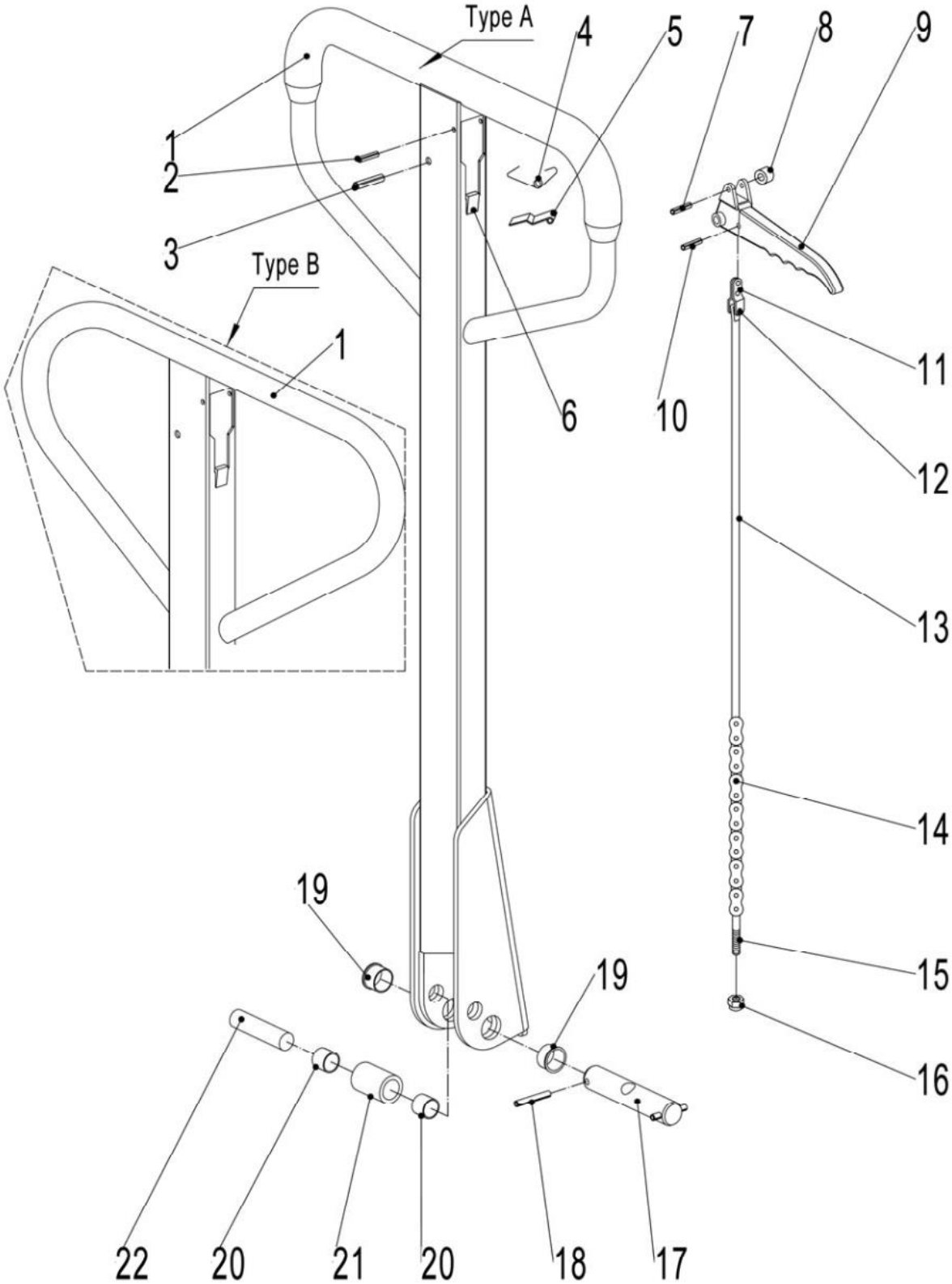


Fig.1 Tiller

No.	Art No.	Description	Qty.	Note
1	1500100001	Tiller	1	For type A
	9000011607	Tiller	1	For type B
2	0000028071	Elastic pin	1	4x30
3	0000028137	Elastic pin	1	6x30
4	2800131001	Spring	1	
5	2800137008	Holder	1	
6	2800118001	Rubber pad	1	
7	0000028127	Elastic pin	1	4x20
8	2800137007	Roller	1	
9	1500100002	Control lever	1	
10	0000028136	Elastic pin	1	4x13
11	2800137011	Connecting plate	1	
12	0000023641	Rivet	1	4x10
13	1500102004	Long connecting rod	1	
14	0000029216	Chain	1	04C-1x17
15	2800137010	Short connecting rod	1	
16	0000024007	Locking nut	2	M5
17	9000010365	Axle with hole	1	
18	0000028009	Elastic pin	2	5x35
19	0000013013	Bushing with shoulder	2	
20	0000013007	Bushing	2	
21	1500102002	Pressure roller	1	
22	1500102001	Pressure roller axle	1	

Fig.2 Fork Frame

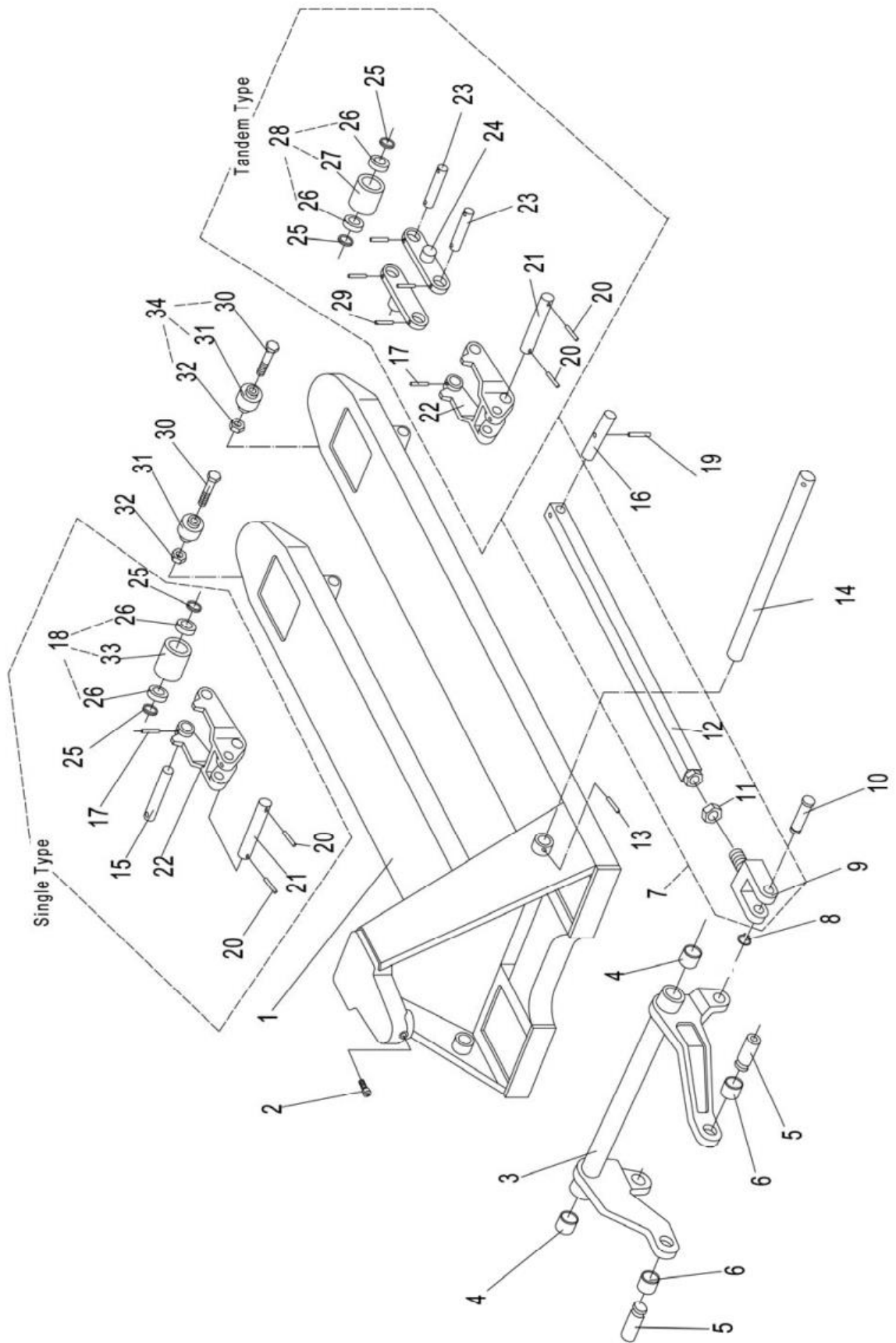


Fig.2 Fork Frame

No.	Art No.	Description	Qty.	Note
1	9000011527	Fork frame	1	
2	0000023013	Screw	1	M6x16
3	9000011528	Rock - arm	1	
4	0000013001	Bushing	2	20x23x20
5	1500228001	Axle	2	
6	0000013011	Bushing	2	16x18x15
7	9000011539	Pushing rod kit	2	
8	0000026017	Retaining ring	2	14
9	9000011545	Joint	2	
10	9000011544	Axle	2	
11	0000023493	Nut	2	M18x1.5
12	9000011529	Pushing rod	2	
13	0000028007	Elastic pin	1	5x32
14	9000011533	Long axle	1	
15	2000407004	Axle of roller (single)	2	
16	9000011530	Pushing rod axle	2	
17	0000028002	Elastic pin	2	5x30
18	9000010356	Load roller kit (PU, single, red)	2	Φ80X93
	9000011617	Load roller kit (Nylon, single, white)	2	Φ80X93
	9000011621	Load roller kit (PU, single, red)	2	Φ74x93
	9000011622	Load roller kit (Nylon, single, white)	2	Φ74x93
19	0000028007	Elastic pin	2	5x32
20	0000028003	Elastic pin	4	4x22
21	9000011531	Axle for frame of roller	2	
22	9000011532	Frame of roller	2	
23	2000407001	Axle of roller (tandem)	4	
24	2000405002	Linking plate	4	
25	1000525001	Washer	8/4(D/S)	
26	0000027001	Bearing	8/4(D/S)	6204
27	1500316022	Load roller (PU, tandem, red)	4	Φ74X70
	1500316013	Load roller (Nylon, tandem, black)	4	Φ74X70
	1500316024	Load roller (PU, tandem, red)	4	Φ80X70
	1500316014	Load roller (Nylon, tandem, white)	4	Φ80X70
28	9000011619	Load roller kit (PU, tandem, red)	4	Φ74x70
	9000011620	Load roller kit (Nylon, tandem, black)	4	Φ74x70
	9000010355	Load roller kit (PU, tandem, red)	4	Φ80x70
	9000011618	Load roller kit (Nylon, tandem, white)	4	Φ80x70
29	0000028009	Elastic pin	8	5x35
30	0000023004	Bolt	2	M10x60
31	1000516001	Enter roller	2	
32	0000024097	Nut	2	M10
33	1500316023	Load roller (PU, Single, red)	2	Φ74X93
	2530516005	Load roller (Nylon, Single, black)	2	φ74x93
	1500316025	Load roller (PU, Single, red)	2	Φ80X93
	1500316016	Load roller (Nylon, Single, white)	2	Φ80x93
34	9000010400	Entry roller kit	2	

Fig.3 Hydraulic pump

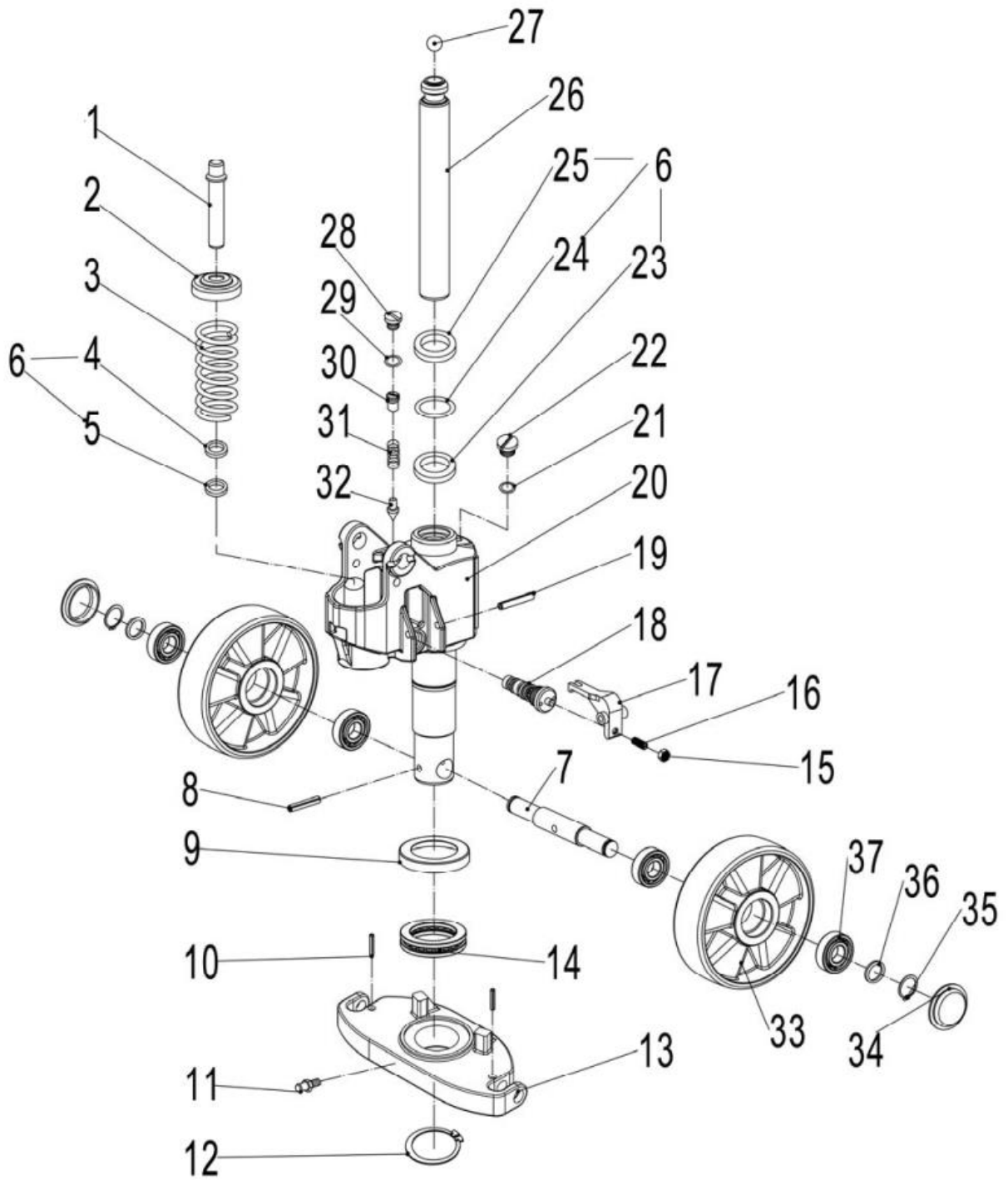


Fig.3 Hydraulic pump

No.	Art No.	Description	Qty.	Note
1	9000011536	Pump piston	1	
2	1070204002	Spring cover	1	
3	1500231001	Spring	1	
4	0090000273	Dust Ring	1	18x26x5
5	0000022156	Y - ring	1	18x26x5
6	9000011546	Pump seal kit (include No. 4, 5, 23, 24, 25)	1	
7	1500202024	Axle of wheel	1	
8	0000028134	Elastic pin	1	8x45
9	9000011538	Bearing cover	1	
10	0000028002	Elastic pin	2	5x30
11	0000030002	Grease nipple	1	M6
12	0000026081	Retaining ring	1	48
13	9000011535	Thrust plate	1	
14	0000027014	Bearing	1	8111
15	0000023638	Nut	1	M8
16	0000023551	Screw	1	M8x20
17	1500205002	Lever plate	1	
18	1500200001	Valve Cartridge	1	
19	0000028145	Elastic pin	1	8x55
20	9000011518	Pump body	1	
21	9000010369	Seal washer	1	
22	1070202001	Plug screw	1	
23	0000022293	Y - ring	1	31.5x41.5x6
24	0000022305	O - ring	1	31.34x3.53
25	0090000402	Dust ring	1	31.5x39.5x6.5
26	9000011537	Piston rod	1	
27	0000037028	Steel ball	1	18
28	1500223002	Screw	1	
29	0000022118	O - ring	1	18x2.4
30	1500223003	Adjusting bolt	1	
31	1500231002	Spring	1	
32	2800237007	Spindle of safety valve	1	
33	9000011666	Wheel (PU, red)	2	Φ180x50
	2530516002	Wheel (PU, black)	2	Φ180x50
	1500216005	Wheel (Rubber)	2	Φ180x50
	2500516001	Wheel (Nylon, white)	2	Φ180x50
34	3610203001	Dust cover	2	
35	1500226001	Retaining ring	2	20
36	1000525001	Washer	2	
37	0000027001	Bearing	4	6204