

## 目录CONTENTS

| 序号Item      | 名称 Description |                                       | 页码 Page |
|-------------|----------------|---------------------------------------|---------|
| 图1 Fig. 1   | 蓄电池及安装         | BATTERY AND INSTALLATION              | 1       |
| 图2 Fig. 2   | 行走电机及传动系统      | TRAVEL MOTOR AND TRANSMISSION SYSTEM  | 2       |
| 图3 Fig. 3   | 变速箱            | Transmission                          | 3       |
| 图4 Fig. 4   | 起升电机及安装        | LIFTING MOTOR AND INSTALLATION        | 6       |
| 图5 Fig. 5   | 电气系统           | ELECTRICAL SYSTEM                     | 7       |
| 图6 Fig. 6   | 电气系统           | ELECTRICAL SYSTEM                     | 8       |
| 图7 Fig. 7   | 控制器及安装         | Controller and installation           | 10      |
| 图8 Fig. 8   | 加速器及安装         | ACCELERATOR AND INSTALLATION          | 11      |
| 图9 Fig. 9   | 前轮总成           | FRONT WHEEL ASSEMBLY                  | 12      |
| 图10 Fig. 10 | 转向装置及安装        | STEERING DEVICE AND INSTALLATION      | 13      |
| 图11 Fig. 11 | 转向桥及安装         | STEERING AXLE ASS'Y                   | 14      |
| 图12 Fig. 12 | 后轮总成           | REAR-WHEEL ASSEMBLY                   | 16      |
| 图13 Fig. 13 | 护顶架及安装         | OVERHEAD GUARD ASS'Y                  | 17      |
| 图14 Fig. 14 | 手制动操纵          | HAND BRAKE CONTROL                    | 18      |
| 图15 Fig. 15 | 脚制动操纵          | FOOT BRAKE CONTROL                    | 19      |
| 图16 Fig. 16 | 车架             | CHASSIS BODY                          | 20      |
| 图17 Fig. 17 | 平衡重            | COUNTER WEIGHT                        | 21      |
| 图18 Fig. 18 | 仪表架及机罩安装       | DISPLAY BRACKET AND HOOD INSTALLATION | 22      |
| 图19 Fig. 19 | 仪表架及机罩安装       | DISPLAY BRACKET AND HOOD INSTALLATION | 23      |

|             |                      |   |    |
|-------------|----------------------|---|----|
| 图20 Fig. 20 | 座椅及安装                | SEAT ASS'Y  | 25 |
| 图21 Fig. 21 | 多路阀换向操纵 (二联)         | MULTI-WAY VALVE CONTROL (TWO-THROW)                       | 26 |
| 图22 Fig. 22 | 多路阀换向操纵 (三联)         | MULTI-WAY VALVE CONTROL (THREE-THROW)                     | 27 |
| 图23 Fig. 23 | 多路阀换向操纵 (四联)         | MULTI-WAY VALVE CONTROL (FOUR-THROW)                      | 29 |
| 图24 Fig. 24 | 工作油箱及安装              | FUEL TANK ASS'Y   | 31 |
| 图25 Fig. 25 | 液压系统                 | HYDRAULIC SYSTEM  | 32 |
| 图26 Fig. 26 | 门架管路系统(基本型二联)        | MAST HYDRAULIC SYSTEM(NORMAL MAST TWO-THROW)              | 34 |
| 图27 Fig. 27 | 1. 8T门架管路系统(基本型三联)   | MAST HYDRAULIC SYSTEM(NORMAL MAST THREE-THROW)            | 35 |
| 图28 Fig. 28 | 2. 5T门架管路系统(基本型三联)   | MAST HYDRAULIC SYSTEM(NORMAL MAST THREE-THROW)            | 37 |
| 图29 Fig. 29 | 1. 8T门架管路系统(基本型四联)   | MAST HYDRAULIC SYSTEM(NORMAL MAST FOUR-THROW)             | 39 |
| 图30 Fig. 30 | 2. 5T门架管路系统(基本型四联)   | MAST HYDRAULIC SYSTEM(NORMAL MAST FOUR-THROW)             | 40 |
| 图31 Fig. 31 | 1. 8T门架管路系统(三级全自由二联) | MAST HYDRAULIC SYSTEM(FULL FREE 3-STAGE MAST TWO-THROW)   | 42 |
| 图32 Fig. 32 | 2. 5T门架管路系统(三级全自由二联) | MAST HYDRAULIC SYSTEM(FULL FREE 3-STAGE MAST TWO-THROW)   | 44 |
| 图33 Fig. 33 | 1. 8T门架管路系统(三级全自由三联) | MAST HYDRAULIC SYSTEM(FULL FREE 3-STAGE MAST THREE-THROW) | 46 |
| 图34 Fig. 34 | 2. 5T门架管路系统(三级全自由三联) | MAST HYDRAULIC SYSTEM(FULL FREE 3-STAGE MAST THREE-THROW) | 49 |
| 图35 Fig. 35 | 1. 8T门架管路系统(三级全自由四联) | MAST HYDRAULIC SYSTEM(FULL FREE 3-STAGE MAST FOUR-THROW)  | 52 |

|             |                     |  |    |
|-------------|---------------------|--|----|
| 图36 Fig. 36 | 2.5T门架管路系统(三级全自由四联) | MAST HYDRAULIC SYSTEM(FULL FREE 3-STAGE MAST FOUR-THROW) | 54 |
| 图37 Fig. 37 | 货叉                  | FORK   | 56 |
| 图38 Fig. 38 | 货叉架(基本型)            | LIFT BUCKET (NORMAL MAST)                                | 58 |
| 图39 Fig. 39 | 货叉架(三级全自由)          | LIFT BUCKET (FULL FREE 3-STAGE MAST)                     | 59 |
| 图40 Fig. 40 | 门架(基本型)             | MAST (NORMAL MAST)                                       | 60 |
| 图41 Fig. 41 | 门架(三级全自由)           | MAST (FULL FREE 3-STAGE MAST)                            | 63 |
| 图42 Fig. 42 | 1.8T起升油缸(基本型)       | 1.8T LIFT CYLINDER(NORMAL MAST)                          | 67 |
| 图43 Fig. 43 | 2.5T起升油缸(基本型)       | 2.5T LIFT CYLINDER(NORMAL MAST)                          | 70 |
| 图44 Fig. 44 | 前起升油缸(三级全自由)        | FRONT LIFT CYLINDER(FULL FREE 3-STAGE MAST)              | 73 |
| 图45 Fig. 45 | 1.8T后起升油缸(三级全自由)    | 1.8T REAR LIFT CYLINDER(FULL FREE 3-STAGE MAST)          | 78 |
| 图46 Fig. 46 | 2.5T后起升油缸(三级全自由)    | 2.5T REAR LIFT CYLINDER(FULL FREE 3-STAGE MAST)          | 81 |
| 图47 Fig. 47 | 倾斜油缸                | TILTING CYLINDER   | 84 |

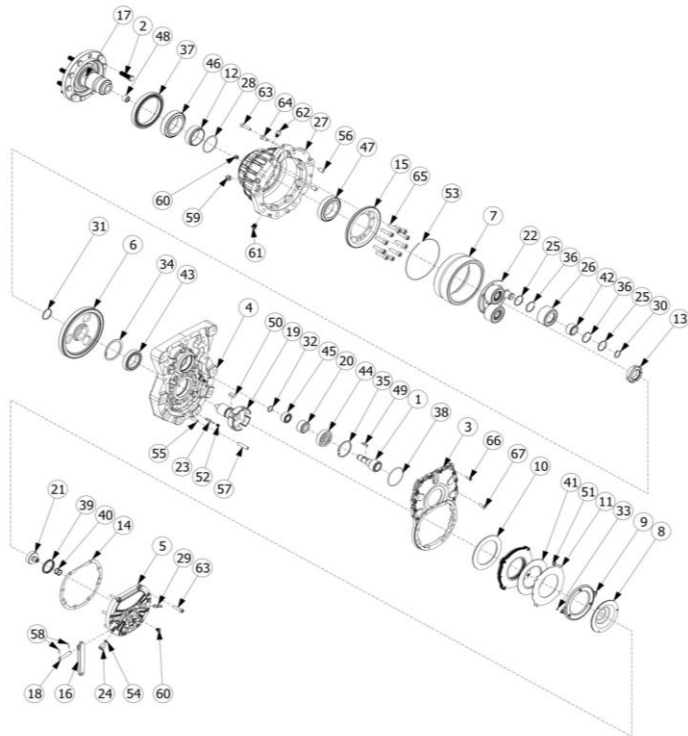




图3/ Fig. 3

## 变速箱/ Transmission

R2B18-L1 R2B25-L1

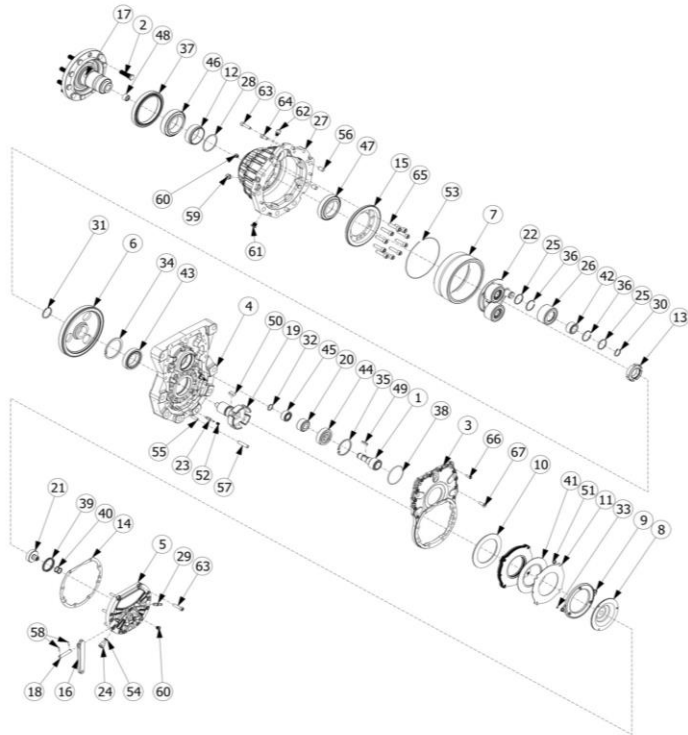


| 序号       | 物料号 | 代号       | 名称                     | 数量    | 备注     |
|----------|-----|----------|------------------------|-------|--------|
| Item No. | ID. | Part No. | Description            | Q' ty | Remark |
| A        |     | PMS701   | Transmission 变速箱       | 1     |        |
| 1        |     | 010.0050 | Input shaft            | 1     |        |
| 2        |     | 207.0001 | Wheel hub bolt         | 10    |        |
| 3        |     | 215.0093 | Aluminium cover        | 1     |        |
| 4        |     | 215.0143 | Gearbox cover          | 1     |        |
| 5        |     | 215.0153 | Brake cover            | 1     |        |
| 6        |     | 250.0064 | Spur gear              | 1     |        |
| 7        |     | 250.0073 | Planetary ring gear    | 1     |        |
| 8        |     | 320.0030 | Elastic disc           | 1     |        |
| 9        |     | 320.0038 | Disc pusher            | 1     |        |
| 10       |     | 320.0047 | Spacer disc            | 1     |        |
| 11       |     | 320.0048 | Steel disc             | 7     |        |
| 12       |     | 330.0054 | Spacer                 | 1     |        |
| 13       |     | 470.0008 | Locking nut            | 1     |        |
| 14       |     | 490.0003 | Brake seal             | 1     |        |
| 15       |     | 520.0069 | Ring gear carrier disc | 1     |        |
| 16       |     | 615.0006 | Brake lever            | 1     |        |
| 17       |     | 660.0011 | Wheel hub              | 1     |        |
| 18       |     | 715.0014 | Brake lever pin        | 1     |        |
| 19       |     | 735.0091 | Sun gear               | 1     |        |
| 20       |     | 735.0092 | Pinion                 | 1     |        |
| 21       |     | 740.0035 | Brake piston           | 1     |        |
| 22       |     | 750.0011 | Planetary carrier      | 1     |        |

图3/ Fig. 3

## 变速箱/ Transmission

R2B18-L1 R2B25-L1

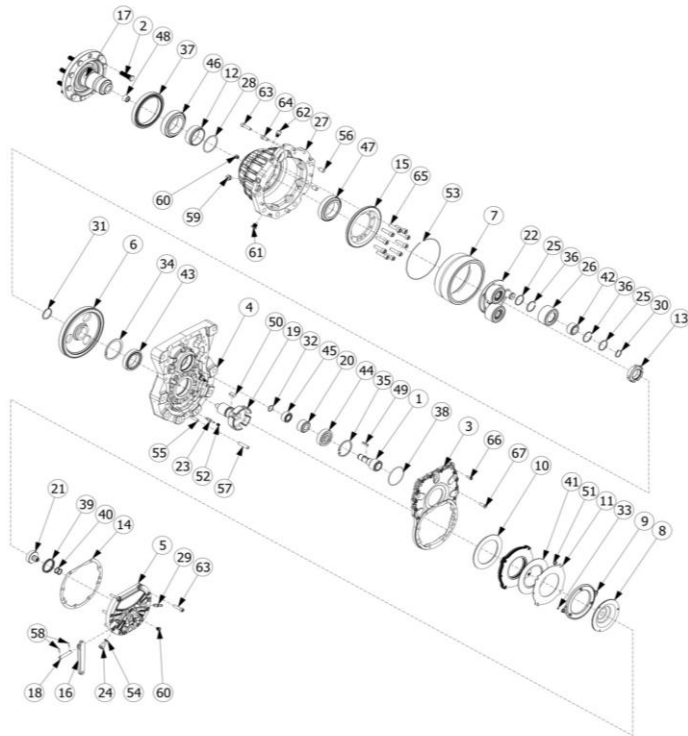


| 序号       | 物料号 | 代号       | 名称                                | 数量    | 备注     |
|----------|-----|----------|-----------------------------------|-------|--------|
| Item No. | ID. | Part No. | Description                       | Q' ty | Remark |
| 23       |     | 770.0006 | Brake pin                         | 2     |        |
| 24       |     | 796.0003 | Service brake connection          | 1     |        |
| 25       |     | 800.0020 | Washer                            | 6     |        |
| 26       |     | 835.0095 | Planet gear                       | 3     |        |
| 27       |     | 840.0049 | Gearbox housing                   | 1     |        |
| 28       |     | 875.0027 | Shims                             | 1     |        |
| 29       |     | 980.0006 | Bleeder valve                     | 1     |        |
| 30       |     | AE0.0008 | Snap ring for shaft UNI 7435 024  | 3     |        |
| 31       |     | AE0.0009 | Snap ring for shaft UNI 7435 040  | 1     |        |
| 32       |     | AE0.0018 | Snap ring for shaft SW 020        | 1     |        |
| 33       |     | AE0.0044 | Radial ring for shaft UNI7434-3.2 | 2     |        |
| 34       |     | AE1.0006 | Snap ring for hole UNI 7437 080   | 1     |        |
| 35       |     | AE1.0010 | Snap ring for hole UNI 7437 062   | 1     |        |
| 36       |     | AE2.0039 | Elastic ring SB 40                | 6     |        |
| 37       |     | ATI.0033 | Seal 0110x140x14.5                | 1     |        |
| 38       |     | AT5.0107 | O-ring OR3275 069.52x2.62 viton   | 1     |        |
| 39       |     | AT9.0039 | Seal 045x54.1x6.3                 | 1     |        |
| 40       |     | AT9.0044 | Seal 018x22.9x2.2 DOT             | 2     |        |
| 41       |     | AUX 0012 | Friction disc                     | 6     |        |
| 42       |     | CC1.0011 | Roller bearing                    | 3     |        |
| 43       |     | CR1.0026 | Ball bearing                      | 1     |        |
| 44       |     | CR2.0002 | Ball bearing                      | 1     |        |
| 45       |     | CRU.0004 | Needle roller bearing             | 1     |        |

图3/ Fig. 3

## 变速箱/ Transmission

R2B18-L1 R2B25-L1



| 序号       | 物料号 | 代号       | 名称                             | 数量    | 备注     |
|----------|-----|----------|--------------------------------|-------|--------|
| Item No. | ID. | Part No. | Description                    | Q' ty | Remark |
| 46       |     | CUI.0022 | Roller bearing                 | 1     |        |
| 47       |     | CUI.0047 | Roller bearing                 | 1     |        |
| 48       |     | GUR.0002 | Needle roller cage             | 1     |        |
| 49       |     | LIN.0033 | Fitting key B 6x4x25           | 1     |        |
| 50       |     | LIN.0037 | Fitting key B 12x8x20          | 1     |        |
| 51       |     | MOL.0019 | Brake spring                   | 24    |        |
| 52       |     | MOL.0021 | Spring                         | 2     |        |
| 53       |     | MOL.0025 | Elastic ring                   | 1     |        |
| 54       |     | R01.0013 | Washer                         | 1     |        |
| 55       |     | SP1.0001 | Dowel pin 08x30                | 2     |        |
| 56       |     | SP1.0003 | Dowel pin 012x20               | 5     |        |
| 57       |     | SP1.0017 | Dowel pin 010x45               | 4     |        |
| 58       |     | SP4.0004 | Elastic pin 03X16              | 2     |        |
| 59       |     | TAP.0024 | Plug M 14x1.5 +washer          | 3     |        |
| 60       |     | TAP.0025 | Plug MIOxl+washer              | 5     |        |
| 61       |     | TAP.0045 | Magnetic plug M14xl + washer   | 1     |        |
| 62       |     | TAP.0053 | Breather plug MIOxl + washer   | 1     |        |
| 63       |     | VC1.0018 | Screw SHCS M8x35 12.9          | 12    |        |
| 64       |     | VC1.0019 | Screw SHCS M8X20 12.9          | 3     |        |
| 65       |     | VC1.0045 | Screw SHCS M10x40 12.9         | 10    |        |
| 66       |     | VC1.0065 | Screw SHCS M6X16 12.9          | 12    |        |
| 67       |     | VT6.0010 | Screw HSCHS UNI5933 M8x25 10.9 | 1     |        |



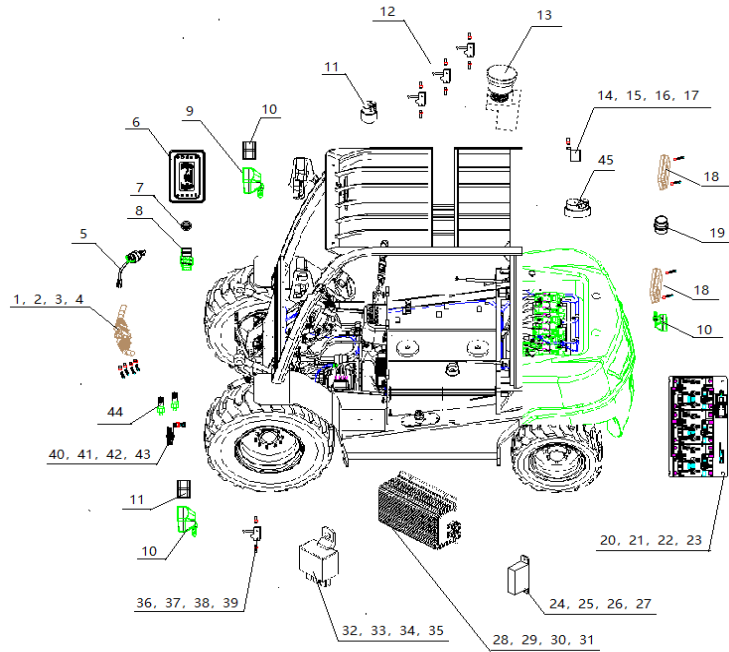




图6/Fig. 6

电气系统/ ELECTRICAL SYSTEM

R2B18-L1 R2B25-L1

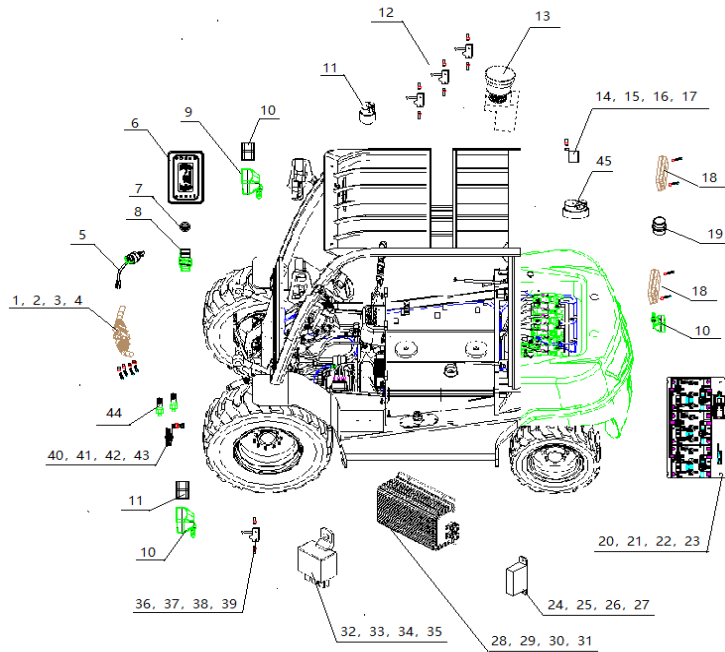


| 序号       | 物料号 | 代号                 | 名称                                | 数量    | 备注     |
|----------|-----|--------------------|-----------------------------------|-------|--------|
| Item No. | ID. | Part No.           | Description                       | Q' ty | Remark |
| 1        |     | RF025-7-2408400-A0 | Shift&Light Lever<br>组合开关         | 1     |        |
| 2        |     | GB/T818-2000       | Screw M6×12<br>螺钉 M6×12           | 14    |        |
| 3        |     | GB/T97.1-2002      | Washer 6<br>垫圈 6                  | 14    |        |
| 4        |     | GB/T93-1987        | Washer 6<br>垫圈 6                  | 14    |        |
| 5        |     | RF025-7-2410500-A0 | Key switch<br>钥匙开关                | 1     |        |
| 6        |     | RF025-7-2410100-A0 | Display Combination<br>仪表总成       | 1     |        |
| 7        |     | RF025-7-2410400-A0 | USB Outlet<br>USB插座               | 1     |        |
| 8        |     | RF025-7-2408100-A0 | Rocker Switch Assembly<br>翘板开关组   | 1     |        |
| 9        |     | RF035-4-2407100-A0 | Working Lamp<br>大灯                | 3     |        |
| 10       |     | RF035-4-2407200-A0 | Combination Light<br>组合灯          | 2     |        |
| 11       |     | RF025-7-2411100-A0 | Lifting Pot<br>起升电位器              | 1     |        |
| 12       |     | RF025-7-2410300-A0 | Valve Switch<br>多路阀开关             | 1     |        |
| 13       |     | RF025-7-2410600-A0 | Emergency Switch<br>急停开关          | 1     |        |
| 14       |     | RF035-4-2409400-A0 | Reverse Buzzer<br>倒车蜂鸣器           | 1     |        |
| 15       |     | GB/T5783-2000      | Bolt M8×16<br>螺栓 M8×16            | 1     |        |
| 16       |     | GB/T97.1-2002      | Washer 8<br>垫圈 8                  | 1     |        |
| 17       |     | GB/T93-1987        | Washer 8<br>垫圈 8                  | 1     |        |
| 18       |     | RF035-4-2407300-A0 | Reverse Combination Light<br>三色尾灯 | 2     |        |
| 19       |     | RF035-4-2407400-A0 | Flash Light<br>警示灯                | 1     |        |
| 20       |     | RF025-7-2410200-A0 | Controller<br>控制器组                | 1     |        |
| 21       |     | GB/T5783-2000      | Bolt M12×25<br>螺栓 M12×25          | 4     |        |
| 22       |     | GB/T97.1-2002      | Washer 12<br>垫圈 12                | 4     |        |
| 23       |     | GB/T93-1987        | Washer 12<br>垫圈 12                | 4     |        |

图6/Fig. 6

电气系统/ ELECTRICAL SYSTEM

R2B18-L1 R2B25-L1



| 序号       | 物料号 | 代号                 | 名称               | 数量    | 备注       |
|----------|-----|--------------------|------------------|-------|----------|
| Item No. | ID. | Part No.           | Description      | Q' ty | Remark   |
| 24       |     | RF025-7-2410200-A0 | Fuse Box         | 1     | 保险丝盒     |
| 25       |     | GB/T5783-2000      | Bolt M6×15       | 2     | 螺栓 M6×15 |
| 26       |     | GB/T97.1-2002      | Washer 6         | 2     | 垫圈 6     |
| 27       |     | GB/T93-1987        | Washer 6         | 2     | 垫圈 6     |
| 28       |     | RF025-7-2410800-A0 | DC-DC            | 1     | 开关电源     |
| 29       |     | GB/T5783-2000      | Bolt M6×15       | 4     | 螺栓 M6×15 |
| 30       |     | GB/T97.1-2002      | Washer 6         | 4     | 垫圈 6     |
| 31       |     | GB/T93-1987        | Washer 6         | 4     | 垫圈 6     |
| 32       |     | RF025-7-2410700-A0 | Flasher          | 1     | 闪光器      |
| 33       |     | GB/T5783-2000      | Bolt M6×15       | 2     | 螺栓 M6×15 |
| 34       |     | GB/T97.1-2002      | Washer 6         | 2     | 垫圈 6     |
| 35       |     | GB/T93-1987        | Washer 6         | 2     | 垫圈 6     |
| 36       |     | RF035-4-2408500-A0 | Handbrake Switch | 1     | 手刹开关     |
| 37       |     | GB/T818-2000       | Screw M4×10      | 2     | 螺钉 M4×10 |
| 38       |     | GB/T97.1-2002      | Washer 4         | 2     | 垫圈 4     |
| 39       |     | GB/T93-1987        | Washer 4         | 2     | 垫圈 4     |
| 40       |     | RF035-4-2409300-A0 | Horn             | 1     | 喇叭       |
| 41       |     | GB/T5783-2000      | Bolt M8×16       | 1     | 螺栓 M8×16 |
| 42       |     | GB/T97.1-2002      | Washer 8         | 1     | 垫圈 8     |
| 43       |     | GB/T93-1987        | Washer 8         | 1     | 垫圈 8     |
| 44       |     | RF025-7-2408300-A0 | Brake Switch     | 2     | 刹车开关     |
| 45       |     | RF025-7-2411200-A0 | Steering POT     | 1     | 转角电位器    |







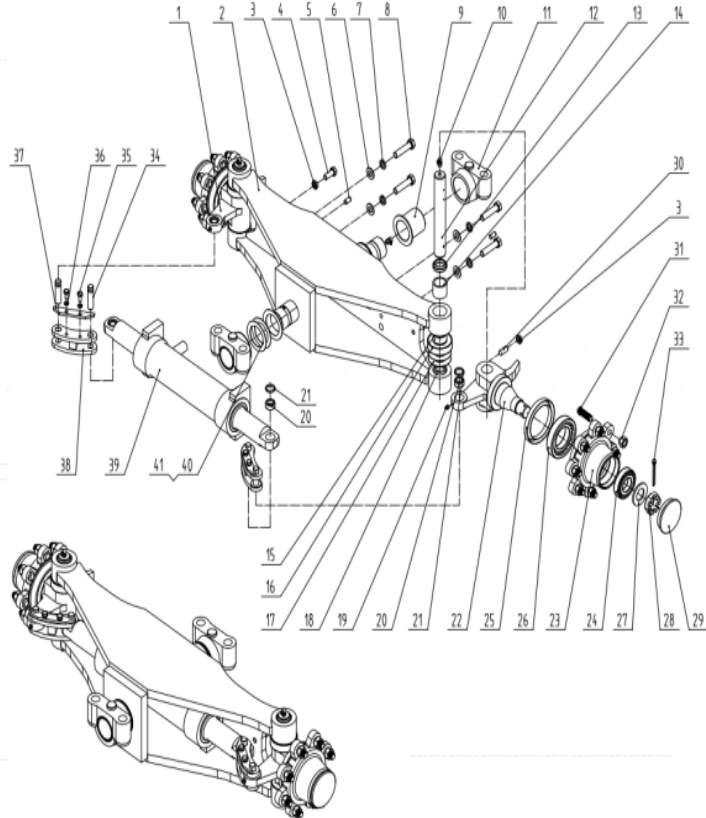




图11/FIG. 11.

转向桥及安装/STEERING AXLE MOUNT

R2B18-L1 R2B25-L1



| 序号       | 代号           | 名称   | 数量   | 备注     |
|----------|--------------|--|------|--------|
| Item No. | Part No.     | Description  | Q'ty | Remark |
| 01       | H24C4-32171  | Left knuckle assembly<br>左转向节总成                        | 1    |        |
| 02       | 35B43-01100  | Steering bridge<br>转向桥体总成                              | 1    |        |
| 03       | B4133-00012B | Nut M12<br>螺母M12                                       | 4    | 白锌     |
| 04       | B0330-12045  | Bolt M12×45<br>螺栓M12x45                                | 2    |        |
| 05       | B3130-10020  | Pin 10×20<br>圆柱销 φ10X20                                | 1    |        |
| 06       | B5313-00014  | Washer 14<br>平垫14                                      | 4    |        |
| 07       | B5050-00014B | Washer 14<br>弹垫14                                      | 4    | 白锌     |
| 08       | B0330-14045B | Bolt M14×45<br>螺栓M14x45                                | 4    | 白锌     |
| 09       | A21B4-32181B | bushing<br>衬套  | 2    |        |
| 10       | Q701B90      | Sleeve bending neck<br>grease lin<br>90°弯颈式滑脂嘴Z1/8     | 6    |        |
| 11       | A21B4-32171  | Rear axle support<br>后桥支座                              | 2    |        |
| 12       | A21B4-32222  | Knuckle kingpin<br>转向节主销                               | 2    |        |
| 13       | 23654-32081  | Oil seal ring 32x40x7<br>油封 φ32x φ40x7                 | 4    |        |
| 14       | Z-943/32     | Needle roller bearings<br>滚针轴承32x40x32                 | 4    |        |
| 15       | A21B4-12001  | bushing<br>衬套  | 2    |        |
| 16       | Z-198908K    | Thrust ball bearings<br>单向推力球轴承198908K                 | 2    |        |
| 17       | 22214-30321  | Adgusting mats<br>φ32.5x φ65x0.2<br>调整垫 φ32.5x φ65x0.2 | 2组   |        |
| 18       | 23654-32161  | O-ring 31.8×4.8<br>O型圈 φ31.8x φ4.8                     | 2    |        |
| 19       | Q700B06      | Straight grease mouth<br>M6<br>直通式滑脂嘴M6                | 4    |        |
| 20       | Z-GE16ES     | Padial joint bearings<br>GE16ES<br>向心关节轴承GE16ES        | 4    |        |
| 21       | H24C4-12003  | bushing<br>衬套  | 4    |        |
| 22       | H24C4-32181  | Right knuckle assembly<br>右转向节总成                       | 1    |        |
| 23       | A21B4-32241  | Wheel hub<br>轮毂  | 2    |        |
| 24       | Z-30207      | Tapered roller bearing<br>30207<br>圆锥滚子轴承30207         | 2    |        |
| 25       | Z6301-08524  | Oil seal ring<br>85x110x12D<br>油封B85x110x12D           | 2    |        |





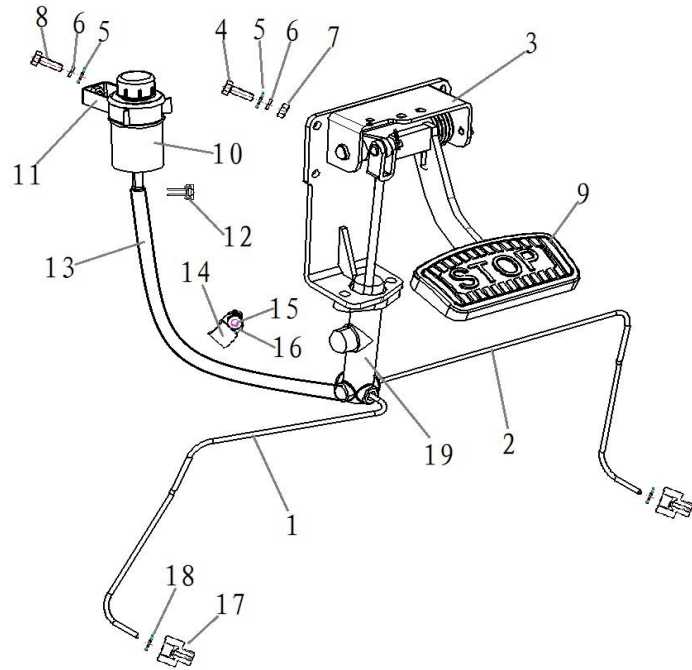




图15/fig. 15

脚制动操纵 / FOOT BRAKE CONTROL

R2B18-L1 R2B25-L1



| 序号       | 物料号 | 代号                  | 名称                           | 数量    | 备注     |
|----------|-----|---------------------|------------------------------|-------|--------|
| Item No. | ID. | Part No.            | Description                  | Q' ty | Remark |
| 1        |     | RF025-7-5701000-A0  | Brake tube left<br>制动管左      | 1     |        |
| 2        |     | RF025-7-5702000-A0  | Brake tube right<br>制动管右     | 1     |        |
| 3        |     | RF025-7-5703000-A0  | Foot brake<br>脚制动            | 1     |        |
| 4        |     | GB/T5783-M8*25-8.8J | Bolt M8×25<br>螺栓M8×25        | 4     |        |
| 5        |     | GB/T97.1-8          | Washer 8<br>垫圈8              | 5     |        |
| 6        |     | GB/T93-8            | Washer 8<br>垫圈8              | 5     |        |
| 7        |     | GB/T6170-M10-8J     | Nut 8<br>螺母M8                | 4     |        |
| 8        |     | GB/T5783-M8*25-8.8J | Bolt M8×20<br>螺栓M8×20        | 1     |        |
| 9        |     | RF025-7-5700001-A0  | Pedal pad<br>踏板垫             | 1     |        |
| 10       |     | RF035-4-5802000-A0  | Oil tank<br>储油罐              | 1     |        |
| 11       |     | RF035-4-5801000-A0  | Oil storage tank<br>制动液罐座    | 1     |        |
| 12       |     | JB/T8870-10-16      | Hoop 10-16<br>喉箍φ10-16       | 2     |        |
| 13       |     | RF035-4-5800001-A0  | Flexible brake hose<br>制动液软管 | 1     |        |
| 14       |     | GMS-DJRX            | Pipe clamp 9.5<br>管夹9.5      | 1     |        |
| 15       |     | GB/T5783-M6*16-8.8J | Bolt M6×16<br>螺栓M6×16        | 1     |        |
| 16       |     | GB/T93-6            | Washer 6<br>垫圈6              | 1     |        |
| 17       |     | RF025-7-5700002-A0  | 分泵接头<br>分泵接头                 | 2     |        |
| 18       |     | JB982-1977          | 组合密封垫圈 10<br>组合密封垫圈 10       | 2     |        |
| 19       |     | RF025-7-5703400-A0  | Brake pump<br>制动泵            | 1     |        |
|          |     |                     |                              |       |        |
|          |     |                     |                              |       |        |
|          |     |                     |                              |       |        |
|          |     |                     |                              |       |        |





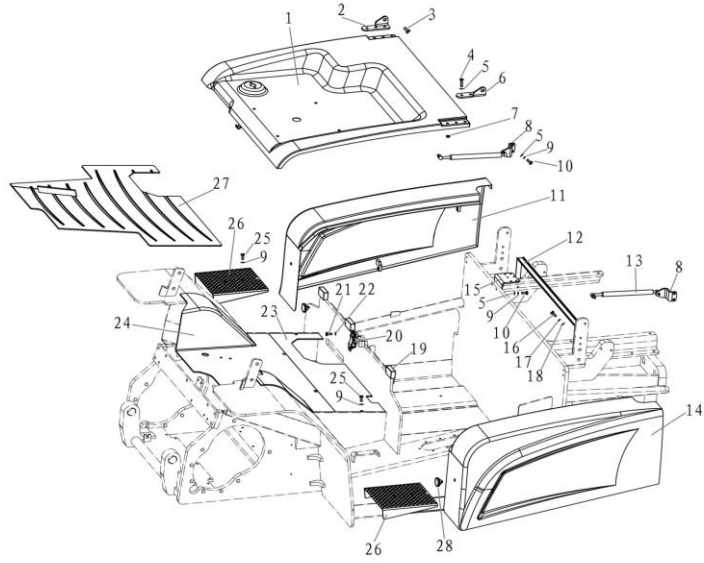




图19/Fig. 19

仪表架及机罩安装/ DISPLAY BRACKET AND HOOD INSTALLATION

R2B18-L1 R2B25-L1



| 序号       | 物料号 | 代号                   | 名称               | 数量      | 备注     |
|----------|-----|----------------------|------------------|---------|--------|
| Item No. | ID. | Part No.             | Description      | Q' ty   | Remark |
| 1        |     | RF025-7-6405000-A0   | Cell cover       | 电瓶盖     | 1      |
| 2        |     | RF025-7-6400022-A0   | Lower cover      | 右铰链     | 1      |
| 3        |     | RF025-7-6400025-A0   | Bolt             | 固定螺栓    | 2      |
| 4        |     | GB/T5783-M8*30-8.8J  | Bolt M8×30       | 螺栓M8×30 | 6      |
| 5        |     | GB/T97.1-8           | Washer 8         | 垫圈8     | 12     |
| 6        |     | RF025-7-6400026-A0   | Left hinge       | 左铰链     | 1      |
| 7        |     | GB/T889.1-M8-8J      | Nut M8           | 螺母M8    | 8      |
| 8        |     | RF025-7-6400014-A0   | Bracket          | 气弹簧支架   | 2      |
| 9        |     | GB/T93-8             | Washer 8         | 垫圈8     | 8      |
| 10       |     | GB/T70.3-M8*20-10.9J | Bolt M8×20       | 螺钉M8×20 | 6      |
| 11       |     | RF025-7-6404000-A0   | Right side plate | 右侧板     | 1      |
| 12       |     | RF025-7-6400015-A0   | Waterproof plate | 防水槽     | 1      |
| 13       |     | RF025-7-6402000-A0   | Gas spring       | 气弹簧     | 2      |
| 14       |     | RF025-7-6406000-A0   | Left side plate  | 左侧板     | 1      |
| 15       |     | RF025-7-1400001-A0   | Bracket          | 电瓶插头支架  | 1      |
| 16       |     | GB/T5783-M6*12-8.8J  | Bolt M6×12       | 螺栓M6×12 | 4      |
| 17       |     | GB/T93-6             | Washer 6         | 垫圈6     | 4      |
| 18       |     | GB/T97.1-6           | Washer 6         | 垫圈6     | 4      |
| 19       |     | RF035-4-6400011-A0   | Rubber pad       | 橡胶垫     | 3      |
| 20       |     | RF025-7-6401000-A0   | Latch            | 机罩锁扣    | 1      |
| 21       |     | GB/T818-M5*12-4.8J   | Bolt M5×12       | 螺钉M5×12 | 2      |
| 22       |     | GB/T93-5             | Washer 5         | 垫圈 5    | 2      |
| 23       |     | RF025-7-6403000-A0   | Rear floor board | 后底板     | 1      |

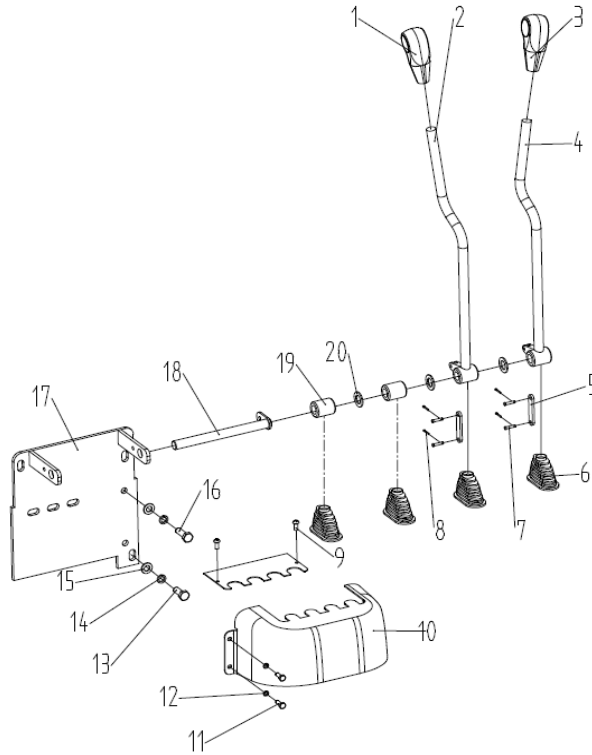




图21/Fig. 21

多路阀换向操纵（二联）/ MULTI-WAY VALVE CONTROL (TWO-THROW)

R2B18-L1 R2B25-L1

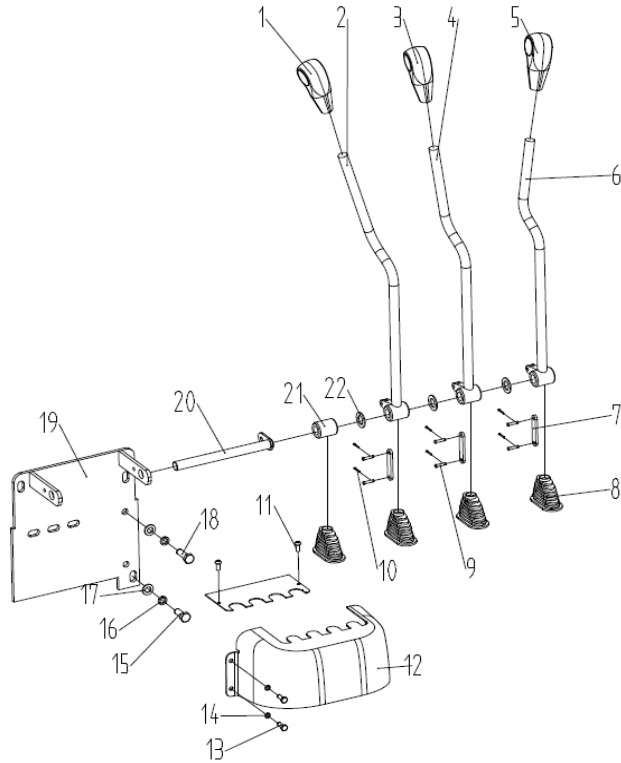


| 序号       | 物料号 | 代号                        | 名称                                    | 数量   |
|----------|-----|---------------------------|---------------------------------------|------|
| Item No. | ID. | Part No.                  | Description                           | Q'ty |
| 1        |     | RF025-7-7400004-A0        | Tilt handle 倾斜手柄                      | 1    |
| 2        |     | RF025-7-7404000-A0        | Multi valve control lever II 多路阀操纵杆II | 1    |
| 3        |     | RF025-7-7400003-A0        | Lift handle 起升手柄                      | 1    |
| 4        |     | RF025-7-7403000-A0        | Multi valve control lever I 多路阀操纵杆I   | 1    |
| 5        |     | RF025-7-7400001-A0        | Connecting rod 连杆                     | 4    |
| 6        |     | RF025-7-7400002-A0        | Sheath 多路阀护套                          | 4    |
| 7        |     | GB/T882-Φ6*18             | Pin shaft Φ6×18 销轴Φ6×18               | 8    |
| 8        |     | GB/T91-2*12               | Cotter pin 2×12 开口销2×12               | 8    |
| 9        |     | GB/T818-M6*16-4.8J        | Bolt M6×16 螺钉M6×16                    | 2    |
| 10       |     | RF025-7-7402000-A0        | Multi valve cover 多路阀罩                | 1    |
| 11       |     | GB/T5783-M6*12-8.8J       | Bolt M6×12 螺栓M6×12                    | 5    |
| 12       |     | GB/T93-6                  | Washer 6 垫圈6                          | 5    |
| 13       |     | GB/T5783-M10*20-8.8J      | Bolt M10×20 螺栓M10×20                  | 3    |
| 14       |     | GB/T97.1-10               | Washer 10 垫圈10                        | 6    |
| 15       |     | GB/T 93-10                | Washer 10 垫圈10                        | 6    |
| 16       |     | GB/T5786-M10*1.25*30-8.8J | Bolt M10×1.25×30 螺栓M10×1.25×30        | 3    |
| 17       |     | RF025-7-7401000-A0        | Seat 多路阀安装支座                          | 1    |
| 18       |     | RF035-4-7410000-A0        | Pin shaft 多路阀安装支座销轴                   | 1    |
| 19       |     | RF025-7-7400007-A0        | Handle sleeve 手柄隔套                    | 1    |
| 20       |     | RF035-4-7400008-A0 (1MM)  | Bushing-1mm 多路阀尼龙衬套-1mm               | 按需   |
| -        |     | RF035-4-7400008-A0 (2MM)  | Bushing-2mm 多路阀尼龙衬套-2mm               | 按需   |
| -        |     | RF035-4-7400008-A0 (3MM)  | Bushing-3mm 多路阀尼龙衬套-3mm               | 按需   |

图22/Fig. 22

多路阀换向操纵(三联) / MULTI-WAY VALVE CONTROL (THREE-THROW)

R2B18-L1 R2B25-L1



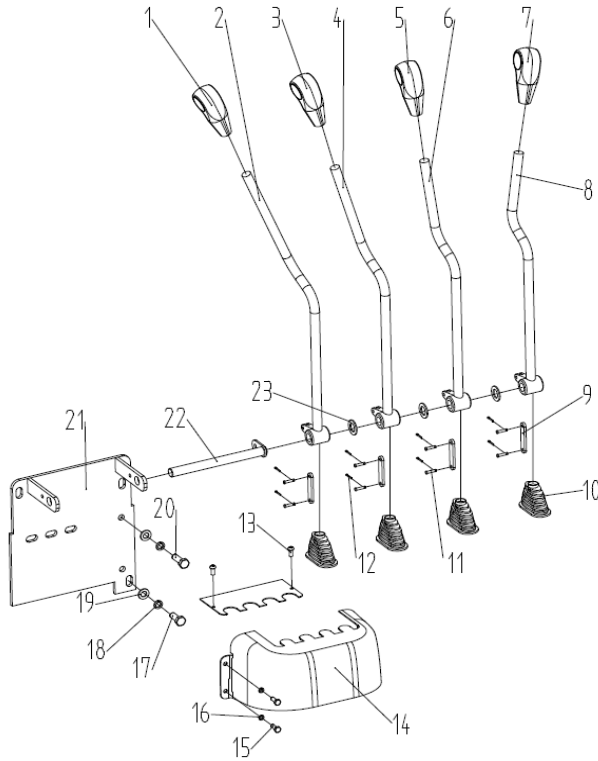
| 序号       | 物料号 | 代号                        | 名称  | 数量    | 备注     |
|----------|-----|---------------------------|---|-------|--------|
| Item No. | ID. | Part No.                  | Description                                   | Q' ty | Remark |
| 1        |     | RF025-7-7400005-A0        | Handle<br>属具手柄                                | 1     |        |
| 2        |     | RF025-7-7405000-A0        | Multi valve control<br>lever III<br>多路阀操纵杆III | 1     |        |
| 3        |     | RF025-7-7400004-A0        | Tilt handle<br>倾斜手柄                           | 1     |        |
| 4        |     | RF025-7-7404000-A0        | Multi valve control<br>lever II<br>多路阀操纵杆II   | 1     |        |
| 5        |     | RF025-7-7400003-A0        | Lift handle<br>起升手柄                           | 1     |        |
| 6        |     | RF025-7-7403000-A0        | Multi valve control<br>lever I<br>多路阀操纵杆I     | 1     |        |
| 7        |     | RF025-7-7400001-A0        | Connecting rod<br>连杆                          | 4     |        |
| 8        |     | RF025-7-7400002-A0        | Sheath<br>多路阀护套                               | 4     |        |
| 9        |     | GB/T882-Φ6*18             | Pin Φ6×18<br>销轴Φ6×18                          | 8     |        |
| 10       |     | GB/T91-2*12               | Pin 2×12<br>开口销2×12                           | 8     |        |
| 11       |     | GB/T818-M6*16-4.8J        | Bolt M6×16<br>螺钉M6×16                         | 2     |        |
| 12       |     | RF025-7-7402000-A0        | Multi valve cover<br>多路阀罩                     | 1     |        |
| 13       |     | GB/T5783-M6*12-8.8J       | Bolt M6×12<br>螺栓M6×12                         | 5     |        |
| 14       |     | GB/T93-6                  | Washer 6<br>垫圈6                               | 5     |        |
| 15       |     | GB/T5783-M10*20-8.8J      | Bolt M10×20<br>螺栓M10×20                       | 3     |        |
| 16       |     | GB/T97.1-10               | Washer 10<br>垫圈10                             | 6     |        |
| 17       |     | GB/T 93-10                | Washer 10<br>垫圈10                             | 6     |        |
| 18       |     | GB/T5786-M10*1.25*30-8.8J | Bolt M10×1.25×30<br>螺栓M10×1.25×30             | 3     |        |
| 19       |     | RF025-7-7401000-A0        | Seat<br>多路阀安装支座                               | 1     |        |
| 20       |     | RF035-4-7410000-A0        | Pin<br>多路阀安装支座销轴                              | 1     |        |
| 21       |     | RF025-7-7400007-A0        | Handle sleeve<br>手柄隔套                         | 1     |        |
| 22       |     | RF035-4-7400008-A0 (1MM)  | Bushing-1mm<br>多路阀尼龙衬套-1mm                    | 按需    |        |
| -        |     | RF035-4-7400008-A0 (2MM)  | Bushing-2mm<br>多路阀尼龙衬套-2mm                    | 按需    |        |



图23/Fig. 23

多路阀换向操纵（四联）/ MULTI-WAY VALVE CONTROL (FOUR-THROW)

R2B18-L1 R2B25-L1



| 序号       | 物料号 | 代号                        | 名称                            | 数量    | 备注             |
|----------|-----|---------------------------|-------------------------------|-------|----------------|
| Item No. | ID. | Part No.                  | Description                   | Q' ty | Remark         |
| 1        |     | RF025-7-740006-A0         | Unlabelled handle             | 1     | 无标识手柄          |
| 2        |     | RF025-7-7406000-A0        | Multi valve control lever IV  | 1     | 多路阀操纵杆IV       |
| 3        |     | RF025-7-7400005-A0        | Handle                        | 1     | 属具手柄           |
| 4        |     | RF025-7-7405000-A0        | Multi valve control lever III | 1     | 多路阀操纵杆III      |
| 5        |     | RF025-7-7400004-A0        | Tilt handle                   | 1     | 倾斜手柄           |
| 6        |     | RF025-7-7404000-A0        | Multi valve control lever II  | 1     | 多路阀操纵杆II       |
| 7        |     | RF025-7-7400003-A0        | Lift handle                   | 1     | 起升手柄           |
| 8        |     | RF025-7-7403000-A0        | Multi valve control lever I   | 1     | 多路阀操纵杆I        |
| 9        |     | RF025-7-7400001-A0        | Connecting rod                | 4     | 连杆             |
| 10       |     | RF025-7-7400002-A0        | Sheath                        | 4     | 多路阀护套          |
| 11       |     | GB/T882-Φ6*18             | Pin Φ6×18                     | 8     | 销轴Φ6×18        |
| 12       |     | GB/T91-2*12               | Pin 2×12                      | 8     | 开口销2×12        |
| 13       |     | GB/T818-M6*16-4.8J        | Bolt M6×16                    | 2     | 螺钉M6×16        |
| 14       |     | RF025-7-7402000-A0        | Multi valve cover             | 1     | 多路阀罩           |
| 15       |     | GB/T5783-M6*12-8.8J       | Bolt M6×12                    | 5     | 螺栓M6×12        |
| 16       |     | GB/T93-6                  | Washer 6                      | 5     | 垫圈6            |
| 17       |     | GB/T5783-M10*20-8.8J      | Bolt M10×20                   | 3     | 螺栓M10×20       |
| 18       |     | GB/T97.1-10               | Washer 10                     | 6     | 垫圈10           |
| 19       |     | GB/T 93-10                | Washer 10                     | 6     | 垫圈10           |
| 20       |     | GB/T5786-M10*1.25*30-8.8J | Bolt M10×1.25×30              | 3     | 螺栓M10×1.25×30  |
| 21       |     | RF025-7-7401000-A0        | Seat                          | 1     | 多路阀安装支座        |
| 22       |     | RF035-4-7410000-A0        | Pin                           | 1     | 多路阀安装支座销轴      |
| 23       |     | RF035-4-7400008-A0 (1MM)  | Bushing-1mm                   | 1     | 多路阀尼龙衬套-1mm 按需 |





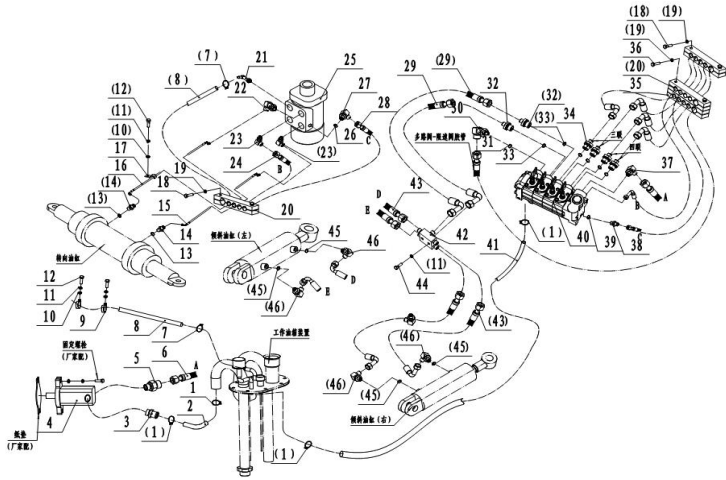




图25/ Fig25.

## 液压系统/HYDRAULIC SYSTEM

R2B18-L1 R2B25-L1



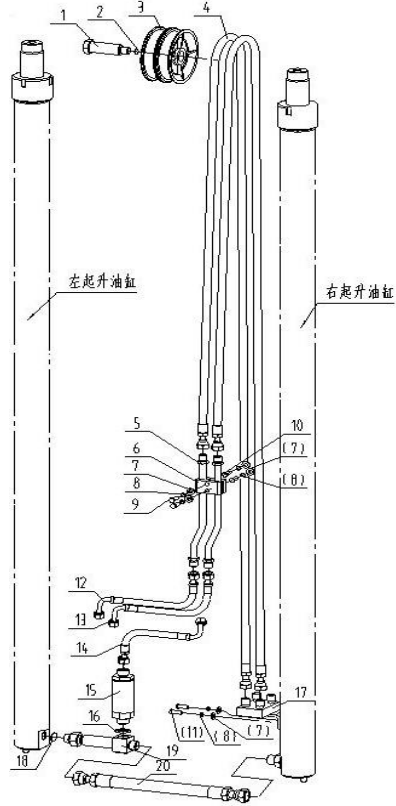
| 序号       | 代号                 | 名称                               | 数量   | 备注     |
|----------|--------------------|----------------------------------|------|--------|
| Item No. | Part No.           | Description                      | Q'ty | Remark |
| A        | -                  | Hydraulic system<br>液压管路系统       | 1    |        |
| 25       | RF025-7-7604000-A0 | Orbitol<br>转向器                   | 1    |        |
| 26       | GB/T3452.1-1992    | O-ring 8.5x2.65<br>O形圈8.5×2.65   | 2    |        |
| 27       | RF025-7-7605000-B0 | Load sensing joint<br>负荷传感接头     | 2    |        |
| 28       | RF025-7-7600009-B0 | Load sensing hose<br>负荷传感胶管      | 1    |        |
| 29       | RF035-4-7600014-B0 | Hose assy<br>多路阀倾斜缸胶管            | 2    |        |
| 30       | F030-D-7603000-A0  | Connexor<br>多路阀-起升缸接头            | 1    |        |
| 31       | GB/T3452.1-1992    | O-ring 17x2.65<br>O型圈17×2.65     | 1    |        |
| 32       | RF035-4-7600009-A0 | Connexor<br>多路阀-倾斜缸接头            | 2    |        |
| 33       | GB1235-76          | O-ring 22x2.4<br>O型圈22×2.4       | 4    |        |
| 34       | RF035-4-7600010-A0 | Connexor<br>转向器接头                | 2    | 三联     |
| -        | RF035-4-7600010-A0 | Connexor<br>转向器接头                | 4    | 四联     |
| 35       | RF025-7-7600010-A0 | Pipe clamp II<br>管夹II            | 4    |        |
| 36       | GB/T5782-2000      | Bolt M8x75<br>螺栓M8×75            | 2    |        |
| 37       | RF025-7-7606000-B0 | Connexor<br>多路阀进油接头              | 1    |        |
| 38       | RF025-7-7600011-B0 | Sensing joint<br>多路阀负荷传感接头       | 1    |        |
| 39       | GB1235-76          | O-ring 14x2.4<br>O型圈14×2.4       | 1    |        |
| 40       | RF025-7-7607000-B0 | Valve<br>多路阀                     | 1    | 标配     |
| -        | RF025-7-7608000-B0 | Valve<br>多路阀                     | 1    | OPS用   |
| 41       | RF025-7-7600012-A0 | Return pipe<br>多路阀回油管            | 1    |        |
| 42       | RF025-7-7609000-B0 | six-way valve<br>六通阀             | 1    |        |
| 43       | RF025-7-7600013-B0 | Hose assy<br>倾斜缸胶管               | 4    |        |
| 44       | GB5783-2000        | Bolt M6x25<br>螺栓M6×25            | 2    |        |
| 45       | GB/T3452.1-1992    | O-ring 11.2x2.65<br>O型圈11.2×2.65 | 4    |        |
| 46       | RF035-4-7613000-A0 | 90°connector<br>倾斜缸接头            | 4    |        |



图27/ Fig27.

门架管路系统(基本型三联)/MAST HYDRAULIC SYSTEM(NORMAL MAST Three-THROW)

R2B18-L1

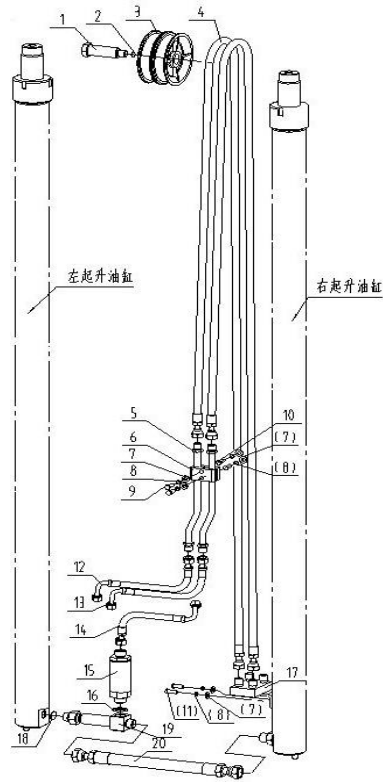


| 序号<br>Item No. | 代号<br>Part No.      | 名称<br>Description           | 数量<br>Qty | 备注<br>Remark  |
|----------------|---------------------|-----------------------------|-----------|---------------|
| A              | -                   | Mast hydraulic system       | 1         | 门架管路系统        |
| 01             | RF035-4-88S00001-A0 | Step Bolt                   | 1         | 台阶螺栓          |
| 02             | RF035-4-8800003-A0  | Sleeve                      | 3         | 隔套            |
| 03             | RF035-4-8800004-A0  | Pulley                      | 2         | 滑轮            |
| 04             | RF018-7-86S01000-B0 | Pulley H. P. hose           | 2         | 侧移胶管          |
| 05             | RF035-4-86S03000-A0 | Oil pipe assy               |           |               |
| 06             | GB97.1-2002         | Pipe clamp                  | 2         | 调节硬管          |
| 07             | GB93-1987           | Washer 8                    | 1         | 管夹            |
| 08             | GB5783-2000         | Washer 8                    | 6         | 垫圈8           |
| 09             | GB5783-2000         | Bolt M8x30                  | 6         | 垫圈8           |
| 10             | GB/T5783-2000       | Bolt M8x25                  | 2         | 螺栓M8×30       |
| 11             | GB/T5783-2000       | Bolt M8×25                  | 2         | 螺栓M8×25       |
| 12             | RF025-7-86S00001-B0 | Adgusting H. P. hose I      | 1         | 多路阀-调节硬管胶管 I  |
| 13             | RF025-7-86S00002-B0 | Adgusting H. P. hose II     | 1         | 多路阀-调节硬管胶管 II |
| 14             | RF018-7-8601000-B0  | Flow regulator H. P. hose   | 1         | 多路阀-限速阀胶管     |
| 15             | RF018-7-8601000-B0  | Flow regulator              | 1         | 限速阀           |
| 16             | GB5783-2000         | O-ring 24×2.4               | 1         | O形圈 24×2.4    |
| 17             | RF018-7-86S02000-B0 | Cross connector             | 1         | 四通            |
| 18             | GB/T3452.1-1992     | O-ring 17x2.65              | 1         | O形圈 17×2.65   |
| 19             | F030-D-8602000-AO   | Lift cylinder tee connector | 1         | 起升缸三通         |
| 20             | RF018-7-8600001-B0  | H. P. hose                  | 1         | 起升缸之间胶管       |
|                |                     |                             |           |               |
|                |                     |                             |           |               |

图27/ Fig27.

门架管路系统(基本型三联)/MAST HYDRAULIC SYSTEM(NORMAL MAST Three-THROW)

R2B18-L1



管路系统选用件-侧移胶管(件4)

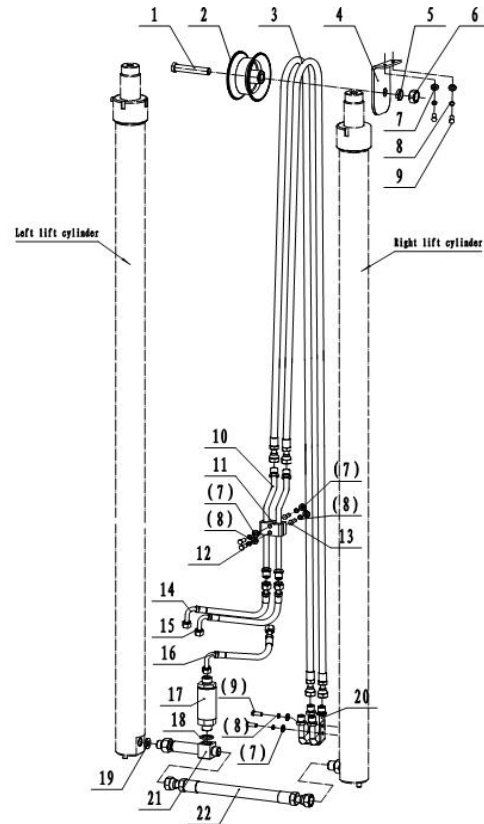
Sway hose Optional Parts

| 起升高度<br>LIFTING<br>HEIGHT | RF018-7-86S01000-B0<br>PLASTIC HOSE<br>图号-长度 |  |  | 备注<br>REMARK |
|---------------------------|--|--|--|--------------|
| 2700                      | RF018-7-86S01000-B0/2.7-2295                 |  |  |              |
| 3000                      | RF035-4-88S02000-B0/6.0-2570                 |  |  |              |
| 3300                      | RF025-4-88S04000-B0/4.35-2855                |  |  |              |
| 3500                      | RF025-4-88S04000-B0/4.7-3070                 |  |  |              |
| 3700                      | RF018-7-86S01000-B0/3.7-3285                 |  |  |              |
| 4000                      | RF018-7-86S01000-B0/4.0-3680                 |  |  | 标准           |
| 4500                      | RF035-4-88S06000-B0/6.0-4180                 |  |  |              |
| 5000                      | RF018-7-86S01000-B0/5.0-4675                 |  |  |              |
| 5500                      | RF018-7-86S01000-B0/5.5-5275                 |  |  |              |
| 6000                      | RF018-7-86S01000-B0/6.0-5775                 |  |  |              |
|                           |  |  |  |              |
|                           |  |  |  |              |
|                           |  |  |  |              |
|                           |  |  |  |              |
|                           |  |  |  |              |
|                           |  |  |  |              |
|                           |  |  |  |              |
|                           |  |  |  |              |
|                           |  |  |  |              |
|                           |  |  |  |              |

图28/Fig28.

门架管路系统(基本型三联)/MAST HYDRAULIC SYSTEM(NORMAL MAST Three-THROW)

R2B25-L1



| 序号<br>Item No. | 代号<br>Part No.      | 名称<br>Description               | 数量<br>Qty | 备注<br>Remark |
|----------------|---------------------|---------------------------------|-----------|--------------|
| A              | -                   | Mast hydraulic system<br>门架管路系统 | 1         |              |
| 01             | GB5782-2000         | Bolt M16×80<br>螺栓               | 1         |              |
| 02             | RF035-4-86S00001-A0 | Pulley wheel<br>滑轮              | 1         |              |
| 03             | RF025-4-86S01000-B0 | Hose connector<br>侧移胶管          | 2         |              |
| 04             | RF035-4-86S00002-A0 | plate right<br>右固定板             | 1         |              |
| 05             | GB93-1987           | Washer 16<br>垫圈16               | 1         |              |
| 06             | GBT41-2000          | Nut M16×2<br>螺母                 | 1         |              |
| 07             | GB/T97.1-2002       | Washer 8<br>垫圈8                 | 8         |              |
| 08             | GB/T93-1987         | Washer 8<br>垫圈8                 | 8         |              |
| 09             | GB/T5783-2000       | Bolt M8×16<br>螺栓M8×16           | 4         |              |
| 10             | RF035-4-86S02000-B0 | Oil pipe assy<br>调节硬管           | 2         |              |
| 11             | RF035-4-86S03000-A0 | Pipe clamp<br>管夹                | 1         |              |
| 12             | GB/T5783-2000       | Bolt M8×30<br>螺栓M8×30           | 2         |              |
| 13             | GB/T5783-2000       | Bolt M8×25<br>螺栓M8×25           | 2         |              |
| 14             | RF025-7-86S00001-B0 | Hose connector<br>多路阀-调节硬管胶管 I  | 1         |              |
| 15             | RF025-7-86S00002-B0 | Hose connector<br>多路阀-调节硬管胶管 II | 1         |              |
| 16             | RF025-7-8600001-B0  | Oil pipe assy<br>多路阀-限速阀胶管      | 1         |              |
| 17             | F020-D-8601000-AO   | Speed limiting<br>限速阀           | 1         |              |
| 18             | GB/1235-76          | O-ring 24×2.4<br>O形圈 24×2.4     | 1         |              |
| 19             | GB/T3452.1-1992     | O-ring 17x2.65<br>O形圈 17x2.65   | 1         |              |
| 20             | RF035-4-86S04000-B0 | Oil pipe assy<br>四通             | 1         |              |
| 21             | F030-D-8602000-AO   | Tee connector<br>限速阀三通          | 1         |              |
| 22             | RF025-4-8600001-B0  | Oil pipe assy<br>起升缸之间胶管        | 1         |              |

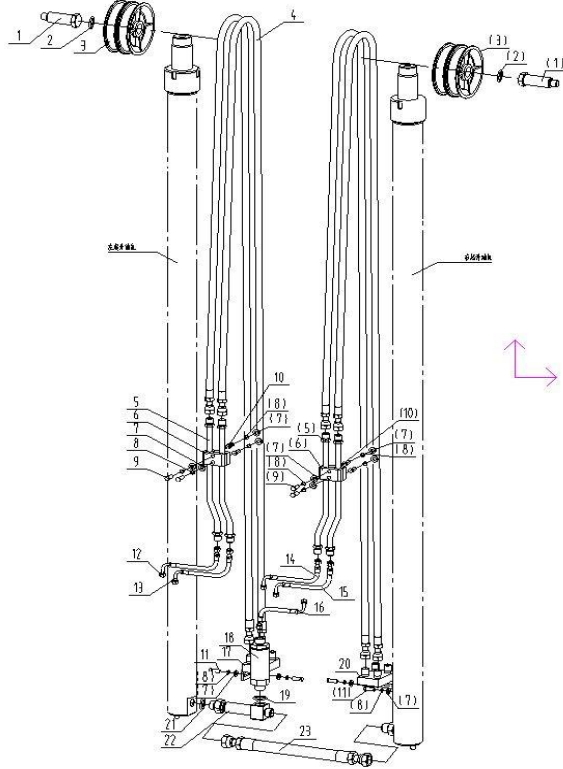




图29/ Fig29.

门架管路系统(基本型四联)/MAST HYDRAULIC SYSTEM(NORMAL MAST Four-THROW)

R2B18-L1

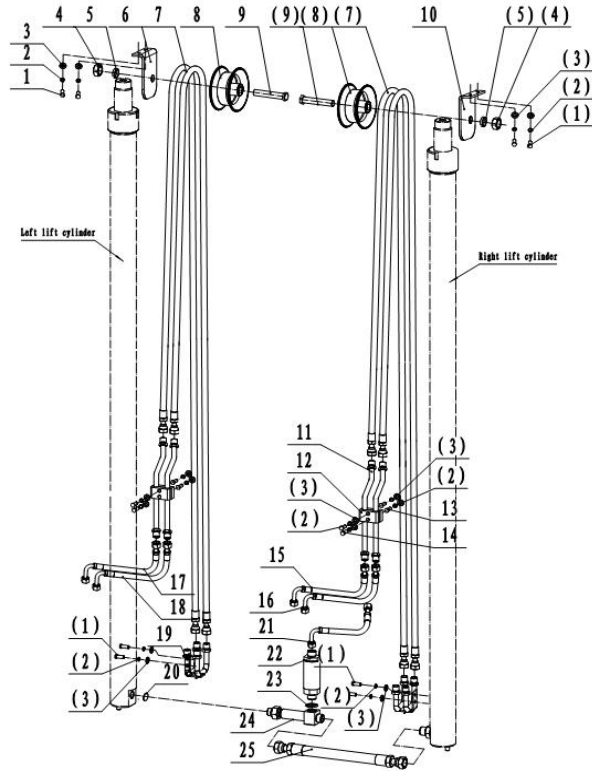


| 序号<br>Item No. | 代号<br>Part No.       | 名称<br>Description                        | 数量<br>Qty | 备注<br>Remark |
|----------------|----------------------|--|-----------|--------------|
| A              | -                    | Mast hydraulic system<br>门架管路系统          | 1         |              |
| 01             | RF035-4-88S00001-A0  | Step Bolt<br>台阶螺栓                        | 2         |              |
| 02             | RF035-4-8800003-A0   | Sleeve<br>隔套                             | 6         |              |
| 03             | RF035-4-8800004-A0   | Pulley<br>滑轮                             | 4         |              |
| 04             | RF018-7-86S01000-B0  | Pulley H. P. hose<br>侧移胶管                | 4         |              |
| 05             | RF035-4-86S02000-B0  | Adgusting pipe<br>调节硬管                   | 4         |              |
| 06             | RF035-4-86S03000-A0  | Clip<br>管夹                               | 2         |              |
| 07             | GB5783-2000          | Washer 8<br>垫圈8                          | 12        |              |
| 08             | GB97.1-2002          | Washer 8<br>垫圈8                          | 12        |              |
| 09             | GB93-1987            | Bolt M8×30<br>螺栓M8×30                    | 4         |              |
| 10             | GB5783-2000          | Bolt M8×25<br>螺栓M8×25                    | 4         |              |
| 11             | GB5783-2000          | Bolt M8×16<br>螺栓M8×16                    | 4         |              |
| 12             | RF025-7-86SS00001-B0 | Adgusting H. P. hose II<br>多路阀-调节硬管胶管 II | 1         |              |
| 13             | RF025-7-86SS00002-B0 | Adgusting H. P. hose I<br>多路阀-调节硬管胶管 I   | 1         |              |
| 14             | RF025-7-86S00001-B0  | Adgusting H. P. hose II<br>多路阀-调节硬管胶管 II | 1         |              |
| 15             | RF025-7-86S00002-B0  | Adgusting H. P. hose I<br>多路阀-调节硬管胶管 I   | 1         |              |
| 16             | RF025-7-8600001-B0   | Flow regulator H. P. hose<br>多路阀-限速阀胶管   | 1         |              |
| 17             | RF018-7-86SS01000-B0 | Cross connector<br>四通                    | 1         |              |
| 18             | RF018-7-8601000-B0   | Flow regulator<br>限速阀                    | 1         |              |
| 19             | GB1235-76            | O-ring 24×2.4<br>O形圈 24×2.4              | 1         |              |
| 20             | RF018-7-86S02000-B0  | Cross connector<br>四通                    | 1         |              |
| 21             | GB3452.1-1992        | O-ring 17×2.65<br>O形圈 17×2.65            | 1         |              |
| 22             | F030-D-8602000-AO    | Lift cylinder tee connector<br>起升缸三通     | 1         |              |
| 23             | RF018-7-8600001-B0   | H. P. hose<br>起升缸之间胶管                    | 1         |              |

图30/ Fig30.

门架管路系统(基本型四联)/MAST HYDRAULIC SYSTEM(NORMAL MAST Four-THROW)

R2B25-L1



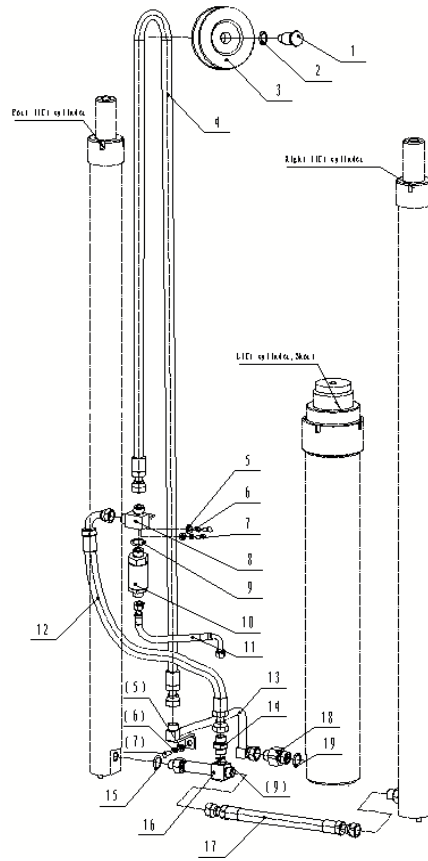
| 序号<br>Item No. | 代号<br>Part No.       | 名称<br>Description               | 数量<br>Qty | 备注<br>Remark |
|----------------|----------------------|---------------------------------|-----------|--------------|
| A              | -                    | Mast hydraulic system<br>门架管路系统 | 1         |              |
| 01             | GB/T97.1-2002        | Washer 8<br>垫圈8                 | 17        |              |
| 02             | GB/T93-1987          | Washer 8<br>垫圈8                 | 17        |              |
| 03             | GB/T5783-2000        | Bolt M8×16<br>螺栓M8×16           | 9         |              |
| 04             | GB/T93-1987          | Washer 16<br>垫圈16               | 2         |              |
| 05             | GB/T41-2000          | Nut M16×2<br>螺母                 | 2         |              |
| 06             | RF035-4-86SS00001-A0 | plate left<br>左固定板              | 1         |              |
| 07             | RF025-4-86S01000-B0  | Hose connector<br>侧移胶管          | 4         |              |
| 08             | RF035-4-86S00001-A0  | Pulley wheel<br>滑轮              | 2         |              |
| 09             | GB/T5782-2000        | Bolt M16×80<br>螺栓               | 2         |              |
| 10             | RF035-4-86S00002-A0  | plate right<br>右固定板             | 1         |              |
| 11             | RF035-4-86S02000-B0  | Oil pipe assy<br>调节硬管           | 4         |              |
| 12             | RF035-4-86S03000-A0  | Pipe clamp<br>管夹                | 2         |              |
| 13             | GB/T5783-2000        | Bolt M8×25<br>螺栓M8×25           | 4         |              |
| 14             | GB/T5783-2000        | Bolt M8×30<br>螺栓M8×30           | 4         |              |
| 15             | RF025-7-86S00001-B0  | Hose connector<br>多路阀-调节硬管胶管 I  | 1         |              |
| 16             | RF025-7-86S00002-B0  | Hose connector<br>多路阀-调节硬管胶管 II | 1         |              |
| 17             | RF025-7-86SS00001-B0 | Hose connector<br>多路阀-调节硬管胶管 I  | 1         |              |
| 18             | RF025-7-86SS00002-B0 | Hose connector<br>多路阀-调节硬管胶管 II | 1         |              |
| 19             | RF035-4-86S04000-B0  | Oil pipe assy<br>四通             | 2         |              |
| 20             | GB3452.1-1992        | O-ring 17×2.65<br>O形圈 17×2.65   | 1         |              |
| 21             | RF025-7-8600001-B0   | Oil pipe assy<br>多路阀-限速阀胶管      | 1         |              |
| 22             | F020-D-8601000-AO    | Speed limiting<br>限速阀           | 1         |              |
| 23             | GB1235-76            | O-ring 24×2.4<br>O形圈 24×2.4     | 1         |              |
| 24             | F030-D-8602000-AO    | Tee connector<br>限速阀三通          | 1         |              |



图31/Fig31.

门架管路系统(三级全自由二联) MAST HYDRAULIC SYSTEM(FULL FREE 3-STAGE MAST Two-THROW)

R2B18-L1



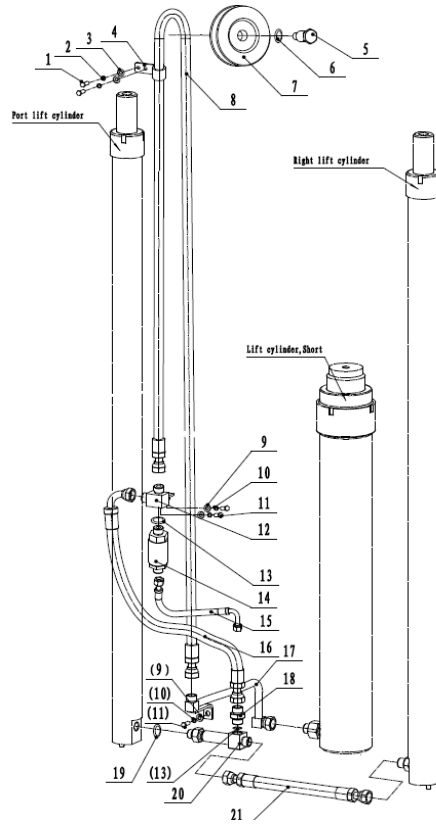
| 序号<br>Item No. | 代号<br>Part No.     | 名称<br>Description                     | 数量<br>Q'ty | 备注<br>Remark |
|----------------|--------------------|---------------------------------------|------------|--------------|
| A              | -                  | MAst hydraulic system<br>门架管路系统       | 1          |              |
| 01             | RF035-4-8800002-A0 | Step Bolt<br>台阶螺栓                     | 1          |              |
| 02             | RF035-4-8800003-A0 | Sleeve<br>隔套                          | 2          |              |
| 03             | RF035-4-8800004-A0 | Pulley<br>滑轮                          | 1          |              |
| 04             | RF018-7-8801000-B0 | Middle cylinder H.P. hose<br>全自由缸进油胶管 | 1          |              |
| 05             | GB97.1-2002        | Washer 8<br>垫圈8                       | 3          |              |
| 06             | GB93-1987          | Washer 8<br>垫片8                       | 3          |              |
| 07             | GB5783-2000        | Bolt M8×16<br>螺栓M8×16                 | 3          |              |
| 08             | RF035-4-8804000-B0 | Flow regulator tee connector<br>限速阀三通 | 1          |              |
| 09             | GB1235-76          | O-ring 24×2.4<br>O形圈 24×2.4           | 2          |              |
| 10             | RF018-7-8601000-B0 | Flow regulator<br>限速阀                 | 1          |              |
| 11             | RF025-7-8600001-B0 | Flow regulator H.P. hose<br>多路阀-限速阀胶管 | 1          |              |
| 12             | RF035-4-8800005-B0 | H.P.hose<br>三通-三通间胶管                  | 1          |              |
| 13             | RF018-7-8802000-B0 | Middle cylinder pipe<br>自由缸进油硬管       | 1          |              |
| 14             | F030-D-8800005-A0  | Tee connector<br>三通-三通间接头             | 1          |              |
| 15             | GB3452.1-1992      | O-seal ring 17×2.65<br>O形密封圈17×2.65   | 1          |              |
| 16             | F030-D-8602000-A0  | Lift cylinder tee connector<br>起升缸三通  | 1          |              |
| 17             | RF018-7-8600001-B0 | H.P.hose<br>起升缸之间胶管                   | 1          |              |
| 18             | RF018-7-8800001-B0 | Middle cylinder connector<br>自由缸接头    | 1          |              |
| 19             | GB1235-76          | O-ring 30×3.1<br>O形圈 30×3.1           | 1          |              |



图32/ Fig32.

门架管路系统(三级全自由二联) MAST HYDRAULIC SYSTEM(FULL FREE 3-STAGE MAST Two-THROW)

R2B25-L1



| 序号<br>Item No. | 代号<br>Part No.     | 名称<br>Description               | 数量<br>Q'ty | 备注<br>Remark |
|----------------|--------------------|---------------------------------|------------|--------------|
| A              | -                  | MAST hydraulic system<br>门架管路系统 | 1          |              |
| 01             | GB5783-2000        | Bolt M6×16                      | 2          | 螺栓M6×16      |
| 02             | GB93-1987          | Washer 6                        | 2          | 垫圈6          |
| 03             | GB97.1-2002        | Washer 6                        | 2          | 垫圈6          |
| 04             | RF035-4-8800001-A0 | Clip                            | 1          | 管夹           |
| 05             | RF035-4-8800002-A0 | Step Bolt                       | 1          | 台阶螺栓         |
| 06             | RF035-4-8800003-A0 | Sleeve                          | 2          | 隔套           |
| 07             | RF035-4-8800004-A0 | Pulley                          | 1          | 滑轮           |
| 08             | RF025-4-8801000-B0 | Middle cylinder H.P. hose       | 1          | 全自由缸进油胶管     |
| 09             | GB97.1-2002        | Washer 8                        | 3          | 垫圈8          |
| 10             | GB93-1987          | Washer 8                        | 3          | 垫圈8          |
| 11             | GB5783-2000        | Bolt M8×16                      | 3          | 螺栓M8×16      |
| 12             | RF035-4-8804000-B0 | Flow regulator tee connector    | 1          | 限速阀三通        |
| 13             | GB1235-76          | O-ring 24×2.4                   | 2          | O形圈 24×2.4   |
| 14             | F020-D-8601000-AO  | Flow regulator                  | 1          | 限速阀          |
| 15             | RF025-7-8600001-B0 | Flow regulator H.P. hose        | 1          | 多路阀-限速阀胶管    |
| 16             | RF035-4-8800005-B0 | H.P.hose                        | 1          | 三通-三通间胶管     |
| 17             | RF025-4-8804000-B0 | Middle cylinder pipe            | 1          | 自由缸进油硬管      |
| 18             | F030-D-8800005-A0  | Tee connector                   | 1          | 三通-三通间接头     |
| 19             | GB3452.1-1992      | O-seal ring 17×2.65             | 1          | O形密封圈17×2.65 |
| 20             | F030-D-8602000-AO  | Lift cylinder tee connector     | 1          | 起升缸三通        |
| 21             | RF025-4-8600001-B0 | H.P.hose                        | 1          | 起升缸之间胶管      |

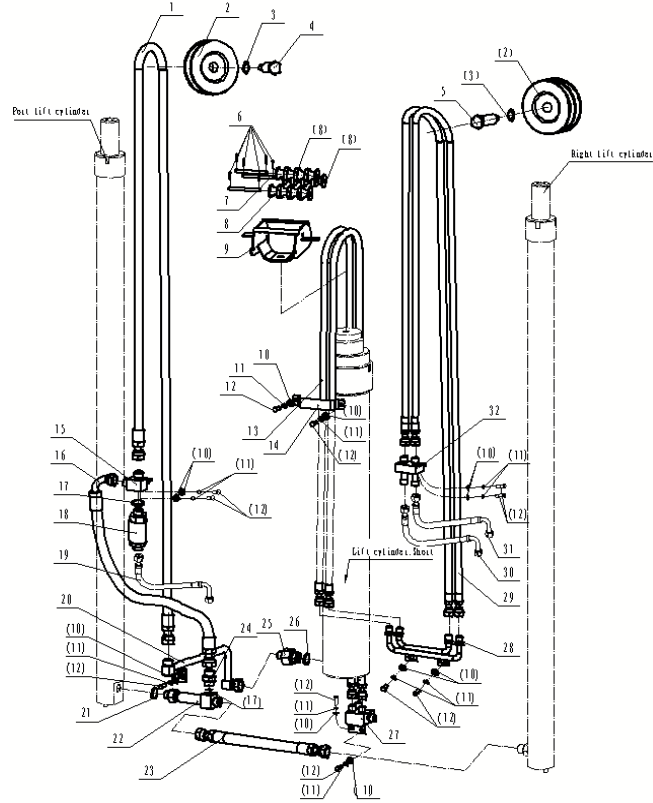




图33/Fig33.

门架管路系统(三级全自由三联) MAST HYDRAULIC SYSTEM (FULL FREE 3-STAGE MAST Three-THROW)

R2B18-L1



| 序号<br>Item No. | 代号<br>Part No.      | 名称<br>Description                     | 数量<br>Q'ty | 备注<br>Remark |
|----------------|---------------------|---------------------------------------|------------|--------------|
| A              | -                   | Mast hydraulic system<br>门架管路系统       | 1          |              |
| 01             | RF018-7-8801000-B0  | Middle cylinder H.P. hose<br>全自由缸进油胶管 | 1          |              |
| 02             | RF035-4-8800004-A0  | Pulley<br>滑轮                          | 3          |              |
| 03             | RF035-4-8800003-A0  | Sleeve<br>隔套                          | 2          |              |
| 04             | RF035-4-8800002-A0  | Step Bolt<br>台阶螺栓                     | 1          |              |
| 05             | RF035-4-88S00001-A0 | Step Bolt<br>台阶螺栓                     | 1          |              |
| 06             | GB/T91-2000         | Cotter pin 2×14<br>开口销2×14            | 6          |              |
| 07             | GB/T880-1986        | Shaft Φ8×120<br>轴Φ8×120               | 3          |              |
| 08             | RF035-4-88S00003-A0 | Pulley<br>滑轮                          | 3          |              |
| 09             | RF018-7-88S01000-A0 | Roller bracket<br>滚轮支架                | 1          |              |
| 10             | GB97.1-2002         | Washer 8<br>垫圈8                       | 11         |              |
| 11             | GB93-1987           | Washer 8<br>垫圈8                       | 11         |              |
| 12             | GB5783-2000         | Bolt M8×16<br>螺栓M8×16                 | 11         |              |
| 13             | RF018-7-88S02000-B0 | Pulley H.P. hose I<br>侧移胶管 I          | 2          |              |
| 14             | RF035-4-88S00004-A0 | Clip<br>管夹                            | 1          |              |
| 15             | RF035-4-8804000-B0  | Flow regulator tee connector<br>限速阀三通 | 1          |              |
| 16             | RF035-4-8800005-B0  | H.P.hose<br>三通-三通间胶管                  | 1          |              |
| 17             | GB1235-76           | O-ring 24×2.4<br>O形圈 24×2.4           | 2          |              |
| 18             | RF018-7-8601000-B0  | Flow regulator<br>限速阀                 | 1          |              |
| 19             | RF025-7-8600001-B0  | Flow regulator H.P. hose<br>多路阀-限速阀胶管 | 1          |              |
| 20             | RF018-7-8802000-B0  | Middle cylinder pipe<br>自由缸进油硬管       | 1          |              |
| 21             | GB3452.1-1992       | O-seal ring 17×2.65<br>O形密封圈17×2.65   | 1          |              |
| 22             | F030-D-8602000-A0   | Lift cylinder tee connector<br>起升缸三通  | 1          |              |
| 23             | RF018-7-8600001-B0  | H.P.hose<br>起升缸之间胶管                   | 1          |              |
| 24             | F030-D-8800005-A0   | Tee connector<br>三通-三通间接头             | 1          |              |

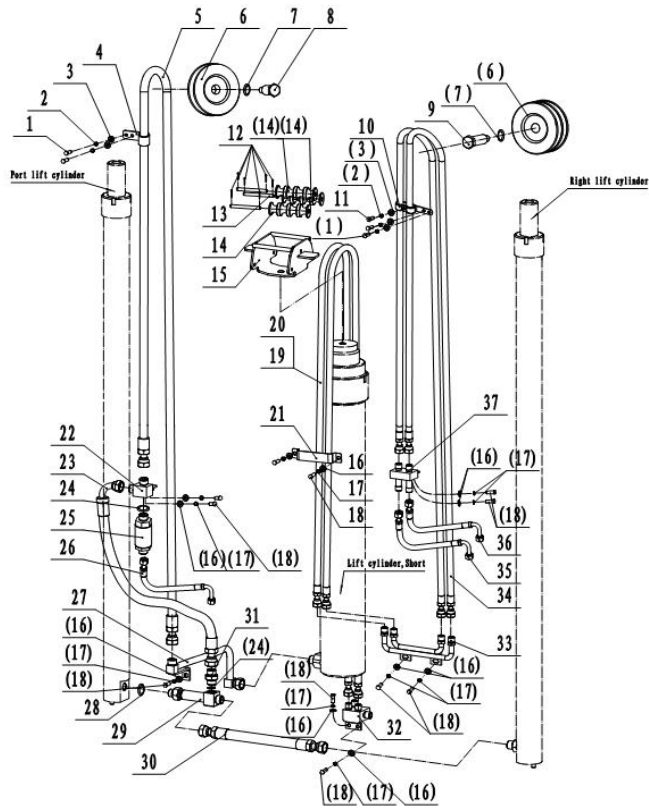




图34/Fig34.

门架管路系统(三级全自由三联) MAST HYDRAULIC SYSTEM(FULL FREE 3-STAGE MAST Three-THROW)

R2B25-L1



| 序号<br>Item No. | 代号<br>Part No.      | 名称<br>Description               | 数量<br>Q'ty | 备注<br>Remark           |
|----------------|---------------------|---------------------------------|------------|------------------------|
| A              | -                   | MAst hydraulic system<br>门架管路系统 | 1          |                        |
| 01             | GB5783-2000         | Bolt M6×16                      | 4          | 螺栓M6×16                |
| 02             | GB93-1987           | Washer 6                        | 5          | 垫圈6                    |
| 03             | GB97.1-2002         | Washer 6                        | 5          | 垫圈6                    |
| 04             | RF035-4-8800001-A0  | Clip                            | 1          | 管夹                     |
| 05             | RF025-4-8801000-B0  | Middle cylinder H.P. hose       | 1          | 全自由缸进油胶管               |
| 06             | RF035-4-8800004-A0  | Pulley                          | 3          | 滑轮                     |
| 07             | RF035-4-8800003-A0  | Sleeve                          | 5          | 隔套                     |
| 08             | RF035-4-8800002-A0  | Step Bolt                       | 1          | 台阶螺栓                   |
| 09             | RF035-4-88S00001-A0 | Step Bolt                       | 1          | 台阶螺栓                   |
| 10             | RF035-4-88S00002-A0 | Pipe clamp                      | 1          | 管夹                     |
| 11             | GB/T5783-2000       | Bolt M6×25                      | 1          | 螺栓                     |
| 12             | GB/T91-2000         | Cotter pin2×14                  | 6          | 开口销                    |
| 13             | GB/T880-2008        | Headless pin -B Φ8×120          | 3          | 销轴-B Φ8×120            |
| 14             | RF035-4-88S00003-A0 | The pulley                      | 3          | 滑轮                     |
| 15             | RF035-4-88S01000-A0 | Roller bracket                  | 1          | 滑轮支架                   |
| 16             | GB/T97.1-2002       | Washer8                         | 11         | 垫圈8                    |
| 17             | GB/T93-1987         | Washer8                         | 11         | 垫圈8                    |
| 18             | GB/T5783-2000       | Bolt M8×16                      | 11         | 螺栓M8×16                |
| 19             | RF025-4-88S01000-B0 | Pulley H.P. hose I              | 2          | 侧移胶管 I<br>2.5t(内置侧移不用) |
| 20             | RF025-4-88S02000-B0 | Pulley H.P. hose II             | 2          | 侧移胶管 II<br>2.5t(内置侧移用) |
| 21             | RF035-4-88S00004-A0 | Clip                            | 1          | 管夹                     |
| 22             | RF035-4-8804000-B0  | Tee joint                       | 1          | 限速阀三通                  |
| 23             | RF035-4-8800005-B0  | Tee - tee hose                  | 1          | 三通-三通间胶管               |
| 24             | GB1235-76           | O-ring 24×2.4                   | 2          | O形密封圈24×2.4            |

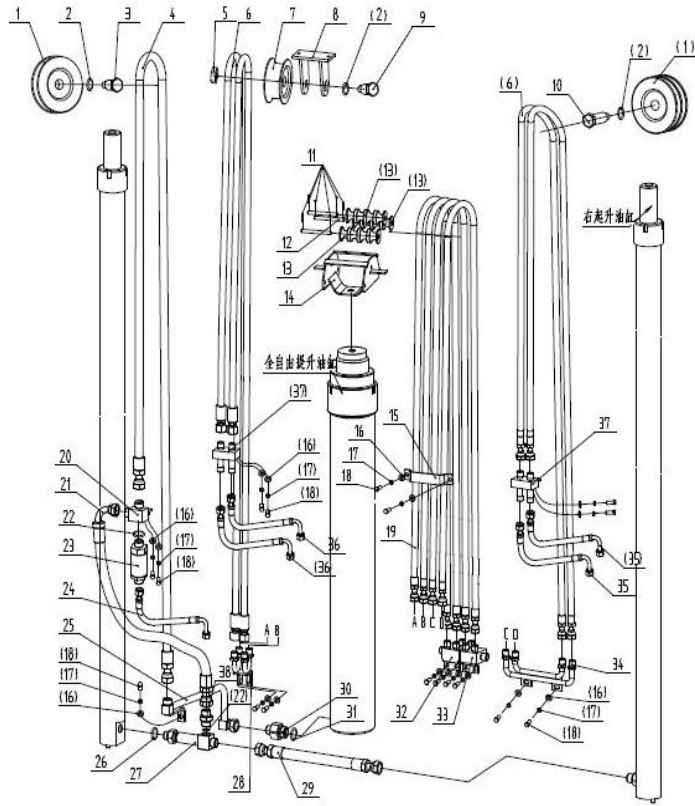




图35/ Fig35.

门架管路系统 (三级全自由四联) MAST HYDRAULIC SYSTEM (FULL FREE 3-STAGE MAST Four-THROW)

R2B18-L1

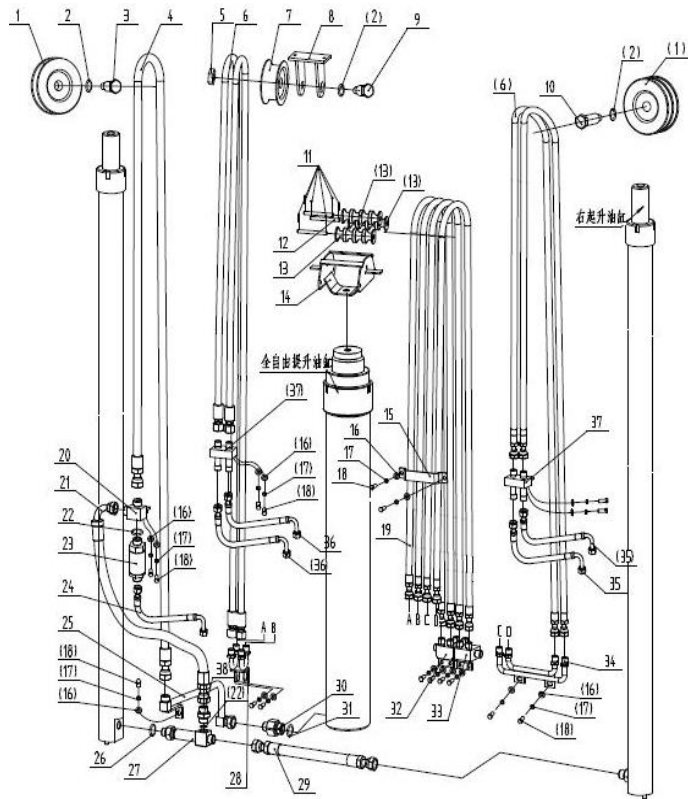


| 序号<br>Item No. | 代号<br>Part No.      | 名称<br>Description                     | 数量<br>Q'ty | 备注<br>Remark |
|----------------|---------------------|---------------------------------------|------------|--------------|
| A              | -                   | Mast hydraulic system<br>门架管路系统       | 1          |              |
| 01             | RF035-4-8800004-A0  | Pulley<br>滑轮                          | 3          |              |
| 02             | RF035-4-8800003-A0  | Sleeve<br>隔套                          | 5          |              |
| 03             | RF035-4-8800002-A0  | Step Bolt<br>台阶螺栓                     | 1          |              |
| 04             | RF018-7-8801000-B0  | Middle cylinder H.P. hose<br>全自由缸进油胶管 | 1          |              |
| 05             | GB/T6170-2000       | Nut M8<br>螺母M8                        | 1          |              |
| 06             | RF018-7-88S04000-B0 | Pulley H.P. hose II<br>侧移胶管 II        | 4          |              |
| 07             | RF018-7-88S00001-A0 | Pulley<br>单滑轮                         | 1          |              |
| 08             | RF018-7-88S01000-A0 | Roller bracket<br>滑轮支架                | 1          |              |
| 09             | RF018-7-88S00002-A0 | Step Bolt<br>台阶螺栓                     | 1          |              |
| 10             | RF035-4-88S00001-A0 | Step Bolt<br>台阶螺栓                     | 1          |              |
| 11             | GB/T91-2000         | Cotter pin 2×14<br>开口销2×14            | 6          |              |
| 12             | GB/T880-1986        | Shaft Φ8×120<br>轴Φ8×120               | 3          |              |
| 13             | RF035-4-88S00003-A0 | Pulley<br>滑轮                          | 3          |              |
| 14             | RF018-7-88S01000-A0 | Roller bracket<br>滚轮支架                | 1          |              |
| 15             | RF035-4-88S00004-A0 | Clip<br>管夹                            | 1          |              |
| 16             | GB/T97.1-2002       | Washer 8<br>垫圈8                       | 19         |              |
| 17             | GB/T93-1987         | Washer 8<br>垫圈8                       | 19         |              |
| 18             | GB/T5783-2000       | Bolt M8×16<br>螺栓M8×16                 | 19         |              |
| 19             | RF018-7-88S02000-B0 | Pulley H.P. hose I<br>侧移胶管 I          | 4          |              |
| 20             | RF035-4-8804000-B0  | Flow regulator tee connector<br>限速阀三通 | 1          |              |
| 21             | RF035-4-8800005-B0  | H.P. hose<br>三通-三通间胶管                 | 1          |              |
| 22             | GB1235-76           | O-ring 24×2.4<br>O形圈24×2.4            | 2          |              |
| 23             | RF018-7-8601000-B0  | Flow regulator<br>限速阀                 | 1          |              |
| 24             | RF025-7-8600001-B0  | Flow regulator H.P. hose<br>多路阀-限速阀胶管 | 1          |              |

图35/ Fig35.

门架管路系统 (三级全自由四联) MAST HYDRAULIC SYSTEM (FULL FREE 3-STAGE MAST Four-THROW)

R2B18-L1



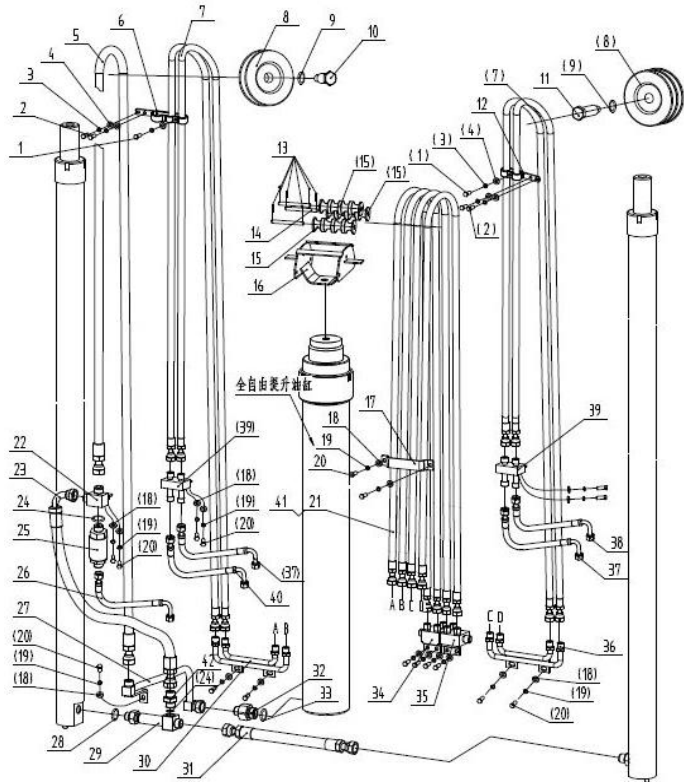
| 序号<br>Item No. | 代号<br>Part No.       | 名称<br>Description                       | 数量<br>Q'ty | 备注<br>Remark |
|----------------|----------------------|---|------------|--------------|
| A              | -                    | Mast hydraulic system<br>门架管路系统         | 1          |              |
| 25             | RF018-7-8802000-B0   | Middle cylinder pipe<br>自由缸进油硬管         | 1          |              |
| 26             | GB/T3452.1-1992      | O-seal ring 17×2.65<br>O形密封圈17×2.65     | 1          |              |
| 27             | F030-D-8602000-AO    | Lift cylinder tee connector<br>起升缸三通    | 1          |              |
| 28             | RF018-7-88SS02000-B0 | Connecting pipe<br>调距转接座                | 1          |              |
| 29             | RF018-7-8600001-B0   | H.P. hose<br>起升缸之间胶管                    | 1          |              |
| 30             | RF018-7-8800001-B0   | Middle cylinder connector<br>自由缸接头      | 1          |              |
| 31             | GB1235-76            | O-ring 30×3.1<br>O形圈 30×3.1             | 1          |              |
| 32             | RF035-4-88SS02000-B0 | Four-way II<br>四通 II                    | 1          |              |
| 33             | RF035-4-88S04000-B0  | Four-way I<br>四通 I                      | 1          |              |
| 34             | RF018-7-88S03000-B0  | Connecting pipe<br>侧移转接座                | 1          |              |
| 35             | RF025-7-86S00001-B0  | Adgusting H.P. hose I<br>多路阀-调节硬管胶管 I   | 1          |              |
| (35)           | RF025-7-86S00002-B0  | Adgusting H.P. hose II<br>多路阀-调节硬管胶管 II | 1          |              |
| 36             | RF025-7-86SS00001-B0 | Adgusting H.P. hose II<br>多路阀-调节硬管胶管    | 1          |              |
| (36)           | RF025-7-86SS00002-B0 | Adgusting H.P. hose II<br>多路阀-调节硬管胶管    | 1          |              |
| 37             | RF035-4-88S07000-B0  | Four-way II<br>四通                       | 2          |              |
| 38             | F030-D-8800005-A0    | tee connector<br>三通-三通间接头               | 1          |              |
|                |                      |   |            |              |
|                |                      |   |            |              |
|                |                      |   |            |              |
|                |                      |   |            |              |
|                |                      |   |            |              |
|                |                      |   |            |              |
|                |                      |   |            |              |



图36/Fig36.

门架管路系统 (三级全自由四联) MAST HYDRAULIC SYSTEM (FULL FREE 3-STAGE MAST Four-THROW)

R2B25-L1

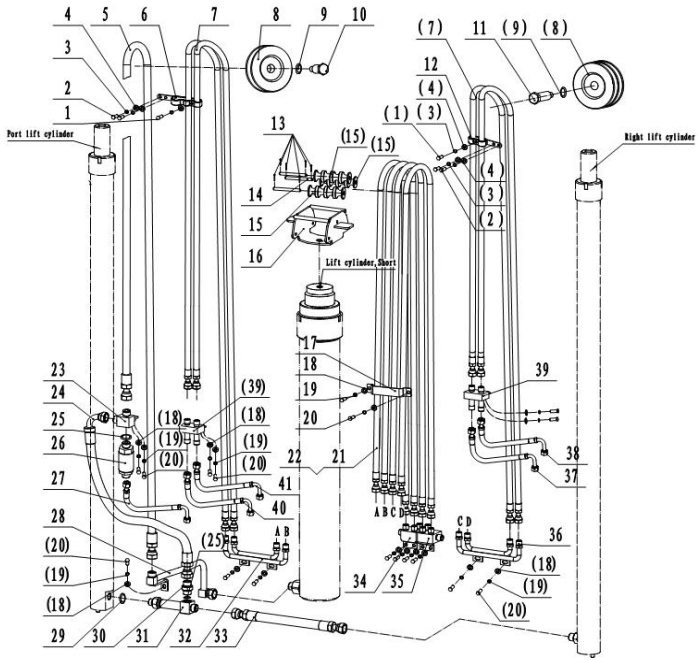


| 序号<br>Item No. | 代号<br>Part No.      | 名称<br>Description            | 数量<br>Q'ty | 备注<br>Remark         |
|----------------|---------------------|------------------------------|------------|----------------------|
| A              | -                   | Mast hydraulic system        | 1          | 门架管路系统               |
| 01             | GB/T5783-2000       | Bolt M6×25                   | 2          | 螺栓M6×25              |
| 02             | GB/T5783-2000       | Bolt M6×12                   | 4          | 螺栓M6×12              |
| 03             | GB/T93-1987         | Washer 6                     | 6          | 垫圈6                  |
| 04             | GB/T97.1-2002       | Washer 6                     | 6          | 垫圈6                  |
| 05             | RF025-4-8801000-B0  | Middle cylinder H.P. hose    | 1          | 全自由缸进油胶管 2.5t        |
| 06             | RF035-4-88S00001-A0 | Clip                         | 1          | 管夹                   |
| 07             | RF025-4-88S04000-B0 | Pulley H.P. hose II          | 4          | 侧移胶管II 2.5t          |
| 08             | RF035-4-8800004-A0  | Pulley                       | 5          | 滑轮                   |
| 09             | RF035-4-8800003-A0  | Sleeve                       | 7          | 隔套                   |
| 10             | RF035-4-88S00002-A0 | Step Bolt                    | 1          | 台阶螺栓                 |
| 11             | RF035-4-88S00001-A0 | Step Bolt                    | 1          | 台阶螺栓                 |
| 12             | RF035-4-88S00002-A0 | Clip                         | 1          | 管夹                   |
| 13             | GB/T91-2000         | Cotter pin 2×14              | 6          | 开口销2×14              |
| 14             | GB/T880-2008        | Shaft Φ8×120                 | 3          | 轴Φ8×120              |
| 15             | RF035-4-88S00003-A0 | Pulley                       | 3          | 滑轮                   |
| 16             | RF035-4-88S01000-A0 | Roller bracket               | 1          | 滚轮支架                 |
| 17             | RF035-4-88S00004-A0 | Clip                         | 1          | 管夹                   |
| 18             | GB/T97.1-2002       | Washer 8                     | 11         | 垫圈8                  |
| 19             | GB/T93-1987         | Washer 8                     | 11         | 垫圈8                  |
| 20             | GB/T5783-2000       | Bolt M8×16                   | 11         | 螺栓M8×16              |
| 21             | RF025-4-88S01000-B0 | Pulley H.P. hose I           | 4          | 侧移胶管I 2.5t(内置侧移不用)   |
| 22             | RF025-4-88S02000-B0 | Pulley H.P. hose III         | 4          | 侧移胶管III 2.5t(内置侧移不用) |
| 23             | RF035-4-8804000-B0  | Flow regulator tee connector | 1          | 限速阀三通                |
| 24             | RF035-4-8800005-B0  | Tee - tee hose               | 1          | 三通-三通间胶管             |

图36/Fig36.

门架管路系统 (三级全自由四联) MAST HYDRAULIC SYSTEM (FULL FREE 3-STAGE MAST Four-THROW)

R2B25-L1



| 序号<br>Item No. | 代号<br>Part No.       | 名称<br>Description                   | 数量<br>Q'ty | 备注<br>Remark |
|----------------|----------------------|-------------------------------------|------------|--------------|
| A              | -                    | Mast hydraulic system<br>门架管路系统     | 1          |              |
| 25             | GB1235-76            | O-ring 24×2.4<br>O形圈 24×2.4         | 2          |              |
| 26             | F020-D-8601000-AO    | Flow regulator<br>限速阀               | 1          | 2.5t         |
| 27             | RF025-7-8600001-B0   | Oil pipe assy<br>多路阀-限速阀胶管          | 1          |              |
| 28             | RF025-4-8804000-B0   | Middle cylinder pipe<br>自由缸进油硬管     | 1          | 2.5t         |
| 29             | GB3452.1-1992        | O-seal ring 17×2.65<br>O形密封圈17×2.65 | 1          |              |
| 30             | F030-D-8800005-A0    | Tee - tee indirect head<br>三通-三通间接头 | 1          |              |
| 31             | F030-D-8602000-AO    | Tee connector<br>起升缸三通              | 1          |              |
| 32             | RF025-4-88SS01000-B0 | Connecting pipe<br>调距转接座            | 1          | 2.5t         |
| 33             | RF025-4-8600001-B0   | H. P. hose<br>起升缸之间胶管               | 1          | 2.5t         |
| 34             | RF035-4-88SS02000-B0 | Cross connector II<br>四通 II         | 1          |              |
| 35             | RF035-4-88S04000-B0  | Cross connector I<br>四通 I           | 1          |              |
| 36             | RF025-4-88S03000-B0  | Side transfer socket<br>侧移转接座       | 1          | 2.5t         |
| 37             | RF025-7-86S00001-B0  | Hose connector<br>多路阀-调节硬管胶管 I      | 1          |              |
| 38             | RF025-7-86S00002-B0  | Hose connector<br>多路阀-调节硬管胶管 II     | 1          |              |
| 39             | RF035-4-88S07000-B0  | Four-way II<br>四通                   | 2          |              |
| 40             | RF025-7-86SS00001-B0 | Hose connector<br>多路阀-调节硬管胶管 I      | 1          |              |
| 41             | RF025-7-86SS00002-B0 | Hose connector<br>多路阀-调节硬管胶管 II     | 1          |              |
|                |                      |                                     |            |              |
|                |                      |                                     |            |              |
|                |                      |                                     |            |              |
|                |                      |                                     |            |              |
|                |                      |                                     |            |              |





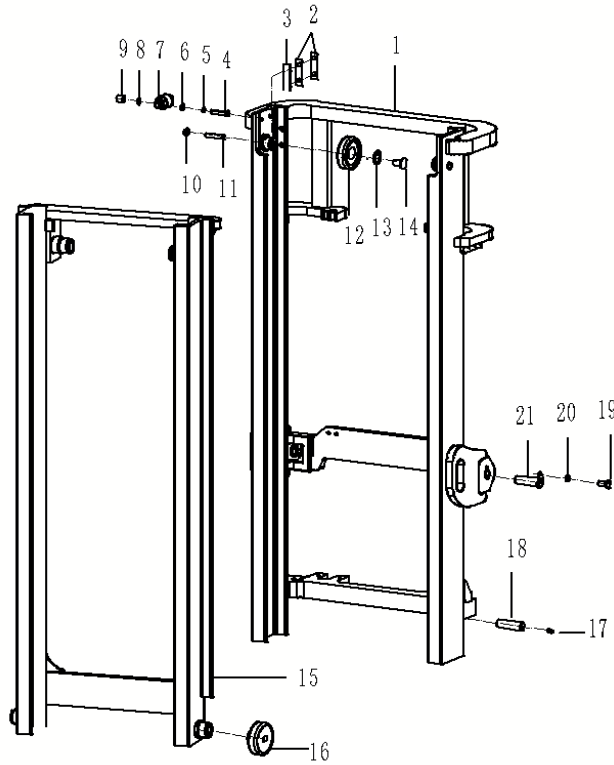




图40/ Fig40.

门架(基本型)/MAST (NORMAL MAST)

R2B18-L1 R2B25-L1



| 序号<br>Item No. | 代号<br>Part No.     | 名称<br>Description          | 数量<br>Qty | 备注<br>Remark |
|----------------|--------------------|----------------------------|-----------|--------------|
| 01             | RF018-7-8007000-A0 | Outer mast ass'y           | 1         | 1.8t         |
| -              | RF025-7-8001000-A0 | Outer mast ass'y           | 1         | 2.5t         |
| 02             | RF035-4-8000004-A0 | Augesting washer I         | 2组        |              |
| 03             | RF035-4-8000005-A0 | Slipper                    | 2         |              |
| 04             | GB/T5785-2000      | Bolt M10×1.25×45           | 4         | 2.5t         |
| 05             | GB/T93-1987        | Washer 10                  | 4         | 2.5t         |
| 06             | GB/T97.1-2000      | Washer 10                  | 4         | 2.5t         |
| 07             | RF035-4-8012000-A0 | Side roller C2-3           | 2         | 2.5t         |
| 08             | RF035-4-8000002-A0 | Washer                     | 4         | 2.5t         |
| 09             | RF035-4-8000007-A0 | Augesting washer II        | 2组        | 2.5t         |
| 10             | GB/T6171-2000      | Nut M10×1                  | 2         | 2.5t         |
| 11             | GB/T77-2000        | Screw M10×1×45             | 2         | 2.5t         |
| 12             | RF018-7-8009000-A0 | mbination roller 760211KIT | 2         | 1.8t         |
| -              | RF035-4-8011000-A0 | Roller 130309KT            | 2         | 2.5t         |
| 13             | GB/T894.1-2000     | Snap ring 45               | 2         | 2.5t         |
| 14             | RF035-4-8000012-A0 | Shim                       | 2         | 2.5t         |
| 15             | RF018-7-8006000-A0 | Inter mast ass'y           | 1         | 1.8t         |
| -              | RF025-4-8006000-A0 | Inter mast ass'y           | 1         | 2.5t         |
| 16             | RF018-7-8009000-A0 | mbination roller 760211KIT | 2         | 1.8t         |
| -              | RF035-4-8010000-A0 | ombination roller 760311NT | 2         | 2.5t         |
| 17             | GB/T1152-2000      | Nipple M10×1               | 2         |              |
| 18             | RF025-7-8000001-A0 | support shaft              | 2         |              |
| 19             | GB/T5783-2000      | Bolt M10×20                | 2         |              |
| 20             | GB/T93-1987        | Washer 10                  | 4         |              |
| 21             | RF035-4-8014000-A0 | Pin shaft                  | 2         |              |



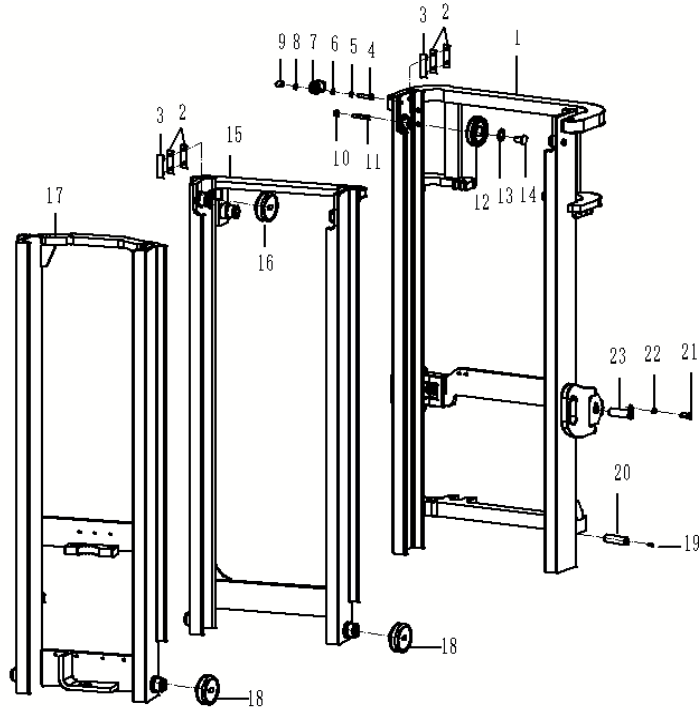




图41/ Fig41.

门架(三级全自由)/MAST(FULL FREE 3-STAGE MAST)

R2B18-L1 R2B25-L1



| 序号<br>Item No. | 代号<br>Part No.     | 名称<br>Description          | 数量<br>Qty | 备注<br>Remark          |
|----------------|--------------------|----------------------------|-----------|-----------------------|
| 01             | RF018-7-8405000-A0 | Qutside mast               | 1         | 外门架总成<br>1.8T         |
| -              | RF025-7-8401000-A0 | Qutside mast               | 1         | 外门架总成<br>2.5T         |
| 02             | RF035-4-8000004-A0 | Augesting washer I         | 4组        | 调整垫片I                 |
| 03             | RF035-4-8000005-A0 | Slipper                    | 4组        | 滑块                    |
| 04             | GB/T5785-2000      | Bolt M10×1.25×45           | 4         | 螺栓M10×1.25×45<br>2.5t |
| 05             | GB/T93-1987        | Washer 10                  | 4         | 垫圈 10<br>2.5t         |
| 06             | GB/T97.1-2000      | Washer 10                  | 4         | 垫圈 10<br>2.5t         |
| 07             | RF035-4-8012000-A0 | Side roller C2-3           | 2         | 侧滚轮C2-3<br>2.5t       |
| 08             | RF035-4-8000002-A0 | Washer                     | 4         | 垫圈<br>2.5t            |
| 09             | RF035-4-8000007-A0 | Augesting washer II        | 2组        | 调整垫片II<br>2.5t        |
| 10             | GB/T6171-2000      | Nut M10×1                  | 2         | 螺母M10×1<br>2.5t       |
| 11             | GB/T77-2000        | Screw M10×1×45             | 2         | 螺钉M10×1×45<br>2.5t    |
| 12             | RF018-7-8009000-A0 | mbination roller 760211KIT | 2         | 复合滚轮760211KIT<br>1.8t |
| -              | RF035-4-8011000-A0 | Roller 130309KT            | 2         | 单滚轮130309KT<br>2.5t   |
| 13             | GB/T894.1-2000     | Snap ring 45               | 2         | 挡圈45<br>2.5t          |
| 14             | RF035-4-8000012-A0 | Shim                       | 2         | 调整垫<br>2.5t           |
| 15             | RF018-7-8404000-A0 | Middle mast                | 1         | 中门架总成<br>1.8t         |
| -              | RF025-4-8405000-A0 | Middle mast                | 1         | 中门架总成<br>2.5t         |
| 16             | RF018-7-8009000-A0 | mbination roller 760211KIT | 2         | 复合滚轮760211KIT<br>1.8t |
| -              | RF035-4-8408000-A0 | Composite liner 760211NT   | 2         | 复合滚轮760211NT<br>2.5t  |
| 17             | RF018-7-8403000-A0 | Lnside mast                | 1         | 内门架总成<br>1.8t         |
| -              | RF025-4-8404000-A0 | Lnside mast                | 1         | 内门架总成<br>2.5t         |
| 18             | RF018-7-8009000-A0 | mbination roller 760211KIT | 4         | 复合滚轮760211KIT<br>1.8t |
| -              | RF035-4-8010000-A0 | Composite liner 760311NT   | 4         | 复合滚轮760311NT<br>2.5t  |
| 19             | GB/T1152-2000      | Nipple M10×1               | 2         | 油杯 M10×1<br>2.5t      |



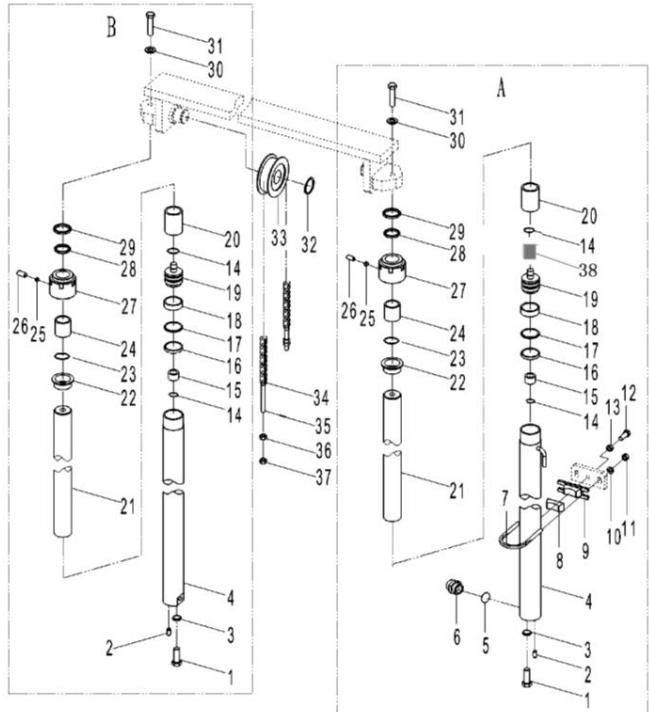




图42/FIG42.

起升油缸(基本型)/LIFT CYLINDER (NORMAL MAST)

R2B18-L1



| 序号<br>Item No. | 代号<br>Part No.     | 名称<br>Description              | 数量<br>Qty      | 备注<br>Remark |
|----------------|--------------------|--------------------------------|----------------|--------------|
| A              | RF018-7-8008000-A0 | Lift cylinder(right)           | 右起升油缸          | 1            |
| B              | RF018-7-8005000-A0 | Lift cylinder(left)            | 左起升油缸          | 1            |
| 1              | GB/T5786-2000      | Bolt M12×1.25×25               | 螺栓M12×1.25×25  | 2            |
| 2              | GB/T119-86         | Pin 10×25                      | 圆柱销10×25       | 2            |
| 3              | GB/T93-1987        | Washer 12                      | 垫圈 12          | 2            |
| 4              | M152J01-100        | Cylinder body                  | 缸体             | 2            |
| 5              | GB1235-76          | O-ring 22×2.4                  | O形圈22×2.4      | 1            |
| 6              | Max020-SV100       | Safety valve                   | 防爆阀            | 1            |
| 7              | RF018-7-8000001-A0 | Hoop                           | 箍              | 2            |
| 8              | RF035-4-8000010-A0 | Rubber pad                     | 橡胶套            | 2            |
| 9              | RF018-7-8000002-A0 | Hoop seat                      | 箍座             | 2            |
| 10             | GB/T97.1-2000      | Washer 10                      | 垫圈 10          | 4            |
| 11             | GB/T6171-2000      | Nut M10×1.25                   | 螺母M10×1.25     | 4            |
| 12             | GB/T5786-2000      | Bolt M12×1.25×30               | 螺栓 M12×1.25×30 | 2            |
| 13             | GB/T6171-2000      | Nut M12×1.25                   | 螺母M12×1.25     | 2            |
| 14             | GB/T895.1-86       | Snap spring 24                 | 钢丝挡圈24         | 2            |
| 15             | TLC-15T03          | Sleeve                         | 阀套             | 2            |
| 16             | OSI 45             | Packing 45×35×6                | 孔封45×35×6      | 2            |
| 17             | Max030-06-001      | Snap spring φ45×φ35×3          | 挡圈φ45×φ35×3    | 2            |
| 18             | Max152J01B-001     | Bush bearing ring<br>D45×8×2.5 | 孔用支承环D45×8×2.5 | 2            |
| 19             | TLC-15T02          | Piston                         | 活塞             | 2            |
| 20             | TLC-20T11          | Sleeve φ35×50                  | 隔套φ35×50       | 按需           |
| 21             | M152J01-1          | Piston rod                     | 活塞杆            | 2            |
| 22             | TLC-15T06          | Bushing                        | 衬套             | 2            |
| 23             | GB1235-76          | O-ring 49.7×3.5                | O型圈49.7×3.5    | 2            |



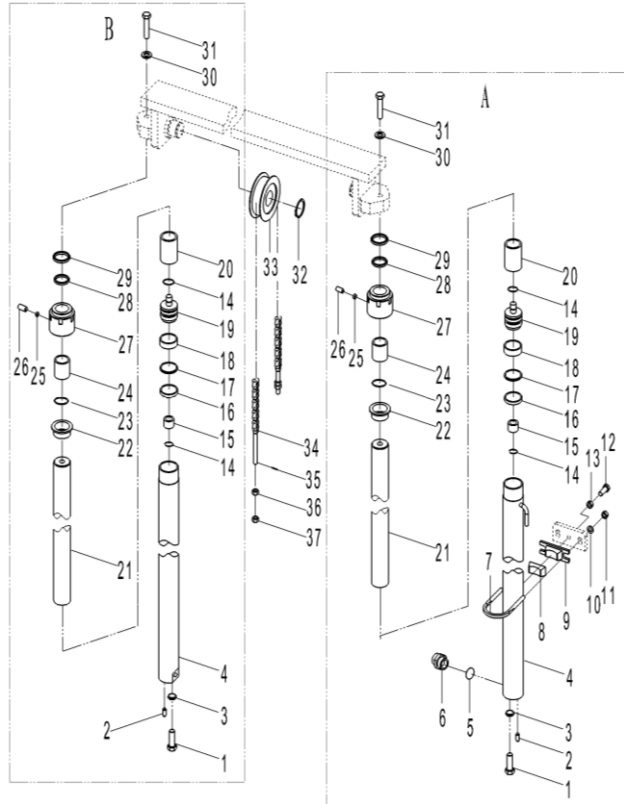




图43/ Fig43.

起升油缸(基本型)/LIFT CYLINDER (NORMAL MAST)

R2B25-L1



| 序号<br>Item No. | 代号<br>Part No.     | 名称<br>Description      | 数量<br>Qty | 备注<br>Remark   |    |
|----------------|--------------------|------------------------|-----------|----------------|----|
| A              | RF025-4-8009000-A0 | Lift cylinder(right)   | 1         | 右起升油缸          |    |
| B              | RF025-4-8005000-A0 | Lift cylinder(left)    | 1         | 左起升油缸          |    |
| 1              | GB/T5786-2000      | Bolt M12×1.25×25       | 2         | 螺栓M12×1.25×25  |    |
| 2              | GB/T119-86         | Pin 10×25              | 2         | 圆柱销10×25       |    |
| 3              | GB/T93-1987        | Washer 12              | 2         | 垫圈 12          |    |
| 4              | Max202J01A-100     | Cylidiner body         | 2         | 缸体             |    |
| 5              | GB1235-76          | O-ring 22×2.4          | 1         | O形圈22×2.4      |    |
| 6              | Max020-SV100       | Safety valve           | 1         | 防爆阀            |    |
| 7              | RF035-4-8000008-A0 | Hoop                   | 2         | 箍              |    |
| 8              | RF035-4-8000010-A0 | Rubber pad             | 2         | 橡胶套            |    |
| 9              | RF035-4-8000009-A0 | Hoop seat              | 2         | 箍座             |    |
| 10             | GB/T97.1-2000      | Washer 10              | 4         | 垫圈 10          |    |
| 11             | GB/T6171-2000      | Nut M10×1.25           | 4         | 螺母M10×1.25     |    |
| 12             | GB/T5786-2000      | Bolt M12×1.25×45       | 2         | 螺栓 M12×1.25×45 |    |
| 13             | GB/T6171-2000      | Nut M12×1.25           | 2         | 螺母M12×1.25     |    |
| 14             | GB/T895.1-86       | Snap ring 30           | 4         | 钢丝挡圈30         |    |
| 15             | TLC-30T03A         | Sleeve                 | 2         | 阀套             |    |
| 16             | OSI 50             | Packing 50×40×6        | 2         | 孔封50×40×6      |    |
| 17             | Max202J01A-001     | Snap ring Φ50×Φ40×3    | 2         | 挡圈Φ50×Φ40×3    |    |
| 18             | Max202J01A-002     | Bearing ring D50×8×2.5 | 2         | 孔用支承环D50×8×2.5 |    |
| 19             | TLC-20T02          | Piston                 | 2         | 活塞             |    |
| 20             | TLC-20T11          | Sleeve Φ40×50          | 2         | 隔套Φ40×50       | 按需 |
| 21             | Max202J01-1        | Piston rod             | 2         | 活塞杆            |    |
| 22             | TLC-20T05          | Bushing                | 2         | 衬套             |    |
| 23             | GB1235-76          | O-ring 60×3.1          | 2         | O型圈60×3.1      |    |

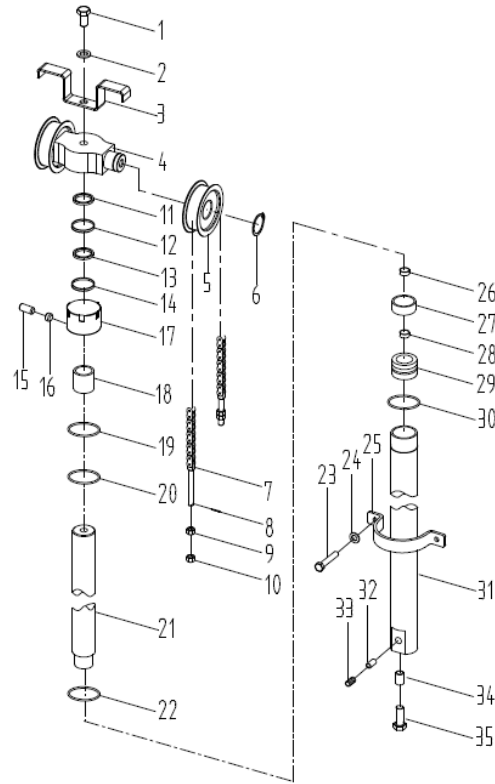




图44/ Fig44.

前起升油缸(三级全自由)/FRONT LIFT CYLINDER(FULL FREE 3-STAGE MAST)

R2B18-L1 R2B25-L1

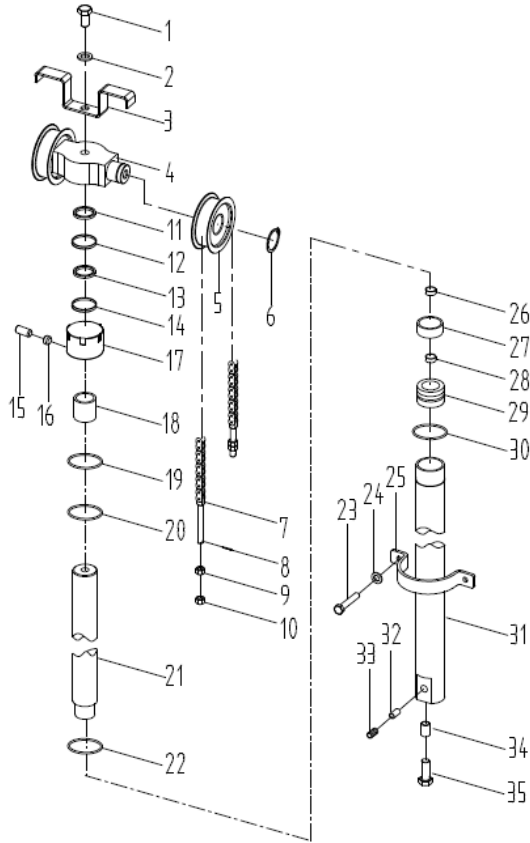


| 序号<br>Item No. | 代号<br>Part No.     | 名称<br>Description        | 数量<br>Qty     | 备注<br>Remark |      |
|----------------|--------------------|--------------------------|---------------|--------------|------|
| A              | RF018-7-8408000-A0 | Middle cylinder          | 前起升油缸         | 1            | 1.8t |
| -              | RF025-4-8410000-A0 | Middle cylinder          | 前起升油缸         | 1            | 2.5t |
| 1              | GB/5782-2000       | Bolt M16×75              | 螺栓M16×75      | 1            | 1.8t |
| 1              | GB/5782-2000       | Bolt M16×1.5×75          | 螺栓M16×1.5×75  | 1            | 2.5t |
| 2              | GB/T93-1987        | Washer 16                | 垫圈16          | 1            |      |
| 3              | RF035-4-8400003-A0 | Chain protector          | 链条护板          | 1            |      |
| 4              | RF018-7-8400002-A0 | Cylinder head            | 缸头            | 1            | 1.8t |
| -              | RF025-4-8400002-A0 | Cylinder head            | 缸头            | 1            | 2.5t |
| 5              | RF018-7-8001000-A0 | Chain roller 780708K1    | 链轮(780708K1)  | 2            | 1.8t |
| -              | RF025-4-8411000-A0 | Chain roller 780708H     | 链轮780708H     | 2            | 2.5t |
| 6              | GB/T894.1-2000     | Axis circlip 40          | 轴用挡圈40        | 2            |      |
| 7              | RF018-7-8409000-A0 | Chain ass'y LH1223       | 链条总成LH1223    | 2            | 1.8t |
| -              | RF025-4-8407000-A0 | Chain ass'y LH1234       | 链条总成LH1234    | 2            | 2.5t |
| 8              | GB/T91-2000        | Cotter pin 3.2×40        | 开口销3.2×40     | 4            |      |
| 9              | GB/T6184-2000      | Nut M14×1.5              | 螺母M14×1.5     | 4            | 1.8t |
| -              | GB/T6184-2000      | Nut M18×1.5              | 螺母M18×1.5     | 4            | 2.5t |
| 10             | GB/T6171-2000      | Nut M14×1.5              | 螺母M14×1.5     | 4            | 1.8t |
| -              | GB/T6171-2000      | Nut M18×1.5              | 螺母M18×1.5     | 4            | 2.5t |
| 11             | LBH 60             | st-proof seal 60×70×8/11 | 防尘圈60×70×8/11 | 1            | 1.8t |
| -              | LBH 70             | st-proof seal 70×84×8/11 | 防尘圈70×84×8/11 | 1            | 2.5t |
| 12             | MAX202J05B-001     | Snap ring d70×Φ60×3      | 挡圈d70×Φ60×3   | 1            | 1.8t |
| -              | MAX302J05B-001     | Snap ring d80×Φ70×3      | 挡圈d80×Φ70×3   | 1            | 2.5t |
| 13             | ISI 60             | Axis seal 60×70×6        | 轴封60×70×6     | 1            | 1.8t |
| -              | ISI 70             | Axis seal 70×80×6        | 轴封70×80×6     | 1            | 2.5t |
| 14             | GB1235-76          | O-ring 75×3.1            | O形圈75×3.1     | 1            | 2.5t |

图44/ Fig44.

前起升油缸(三级全自由)/FRONT LIFT CYLINDER(FULL FREE 3-STAGE MAST)

R2B18-L1 R2B25-L1



| 序号<br>Item No. | 代号<br>Part No.     | 名称<br>Description        |                 | 数量<br>Qty | 备注<br>Remark |
|----------------|--------------------|--------------------------|-----------------|-----------|--------------|
| -              | GB1235-76          | O-ring 85×3.1            | O形圈85×3.1       | 1         | 2.5t         |
| 15             | GB/T 77-1985       | Screw M6×5               | 螺钉M6×5          | 1         | 内六角          |
| 16             | JB982-77           | Pad 6                    | 组合垫6            | 1         |              |
| 17             | TLC-20T08          | Guiding sleeve           | 导向套             | 1         | 1.8t         |
| -              | TLC-30T11          | Guiding sleeve           | 导向套             | 1         | 2.5t         |
| 18             | SF-1 60            | Bushing bearing 60×65×45 | 钢背轴承60×65×45    | 1         | 1.8t         |
| -              | SF-1 70            | Bushing bearing 70×75×45 | 钢背轴承70×75×45    | 1         | 2.5t         |
| 19             | MAX202J05B-002     | Snap ring d75×Φ65×3      | 挡圈d75×Φ65×3     | 1         | 1.8t         |
| -              | MAX302J05B-002     | Snap ring d85×Φ75×3      | 挡圈d85×Φ75×3     | 1         | 2.5t         |
| 20             | GB1235-76          | O-ring 75×3.1            | O形圈75×3.1       | 1         | 1.8t         |
| -              | GB1235-76          | O-ring 85×3.1            | O形圈85×3.1       | 1         | 2.5t         |
| 21             | MJ153J03B-200      | Piston Rod               | 活塞杆             | 1         | 1.8t         |
| -              | MJ203J03B-200      | Piston Rod               | 活塞杆             | 1         | 2.5t         |
| 22             | MAX152J05B-003     | bearing ring D70×20×2.5  | 孔用支承环D75×20×2.5 | 1         | 1.8t         |
| -              | MAX202J05B-003     | bearing ring D85×20×2.5  | 孔用支承环D85×20×2.5 | 1         | 2.5t         |
| 23             | GB/5786-2000       | Bolt M10×1.25×20         | 螺栓M10×1.25×20   | 2         |              |
| 24             | GB/T93-1987        | Washer 10                | 垫圈10            | 2         |              |
| 25             | RF018-7-8400003-A0 | U-Hoop                   | 抱箍              | 1         | 1.8t         |
| -              | RF025-4-8400001-A0 | U-Hoop                   | 抱箍              | 1         | 2.5t         |
| 26             | Max302J01-300      | Steel wire snap ring d40 | 钢丝挡圈d40         | 1         |              |
| 27             | TLC015-SV100       | One-way valve            | 单向阀             | 1         |              |
| 28             | GB/T 893.1-1986    | Orifice snap spring 22   | 孔用弹挡22          | 1         |              |
| 29             | MJ153J03B-400      | Piston                   | 活塞              | 1         | 1.8t         |
| -              | MJ203J03B-400      | Piston                   | 活塞              | 1         | 2.5t         |
| -              | OSI 85             | Orifice seal 85×75×6     | 孔封85×75×6       | 2         | 2.5t         |
| 30             | OSI 75             | Orifice seal 75×65×6     | 孔封75×65×6       | 2         | 1.8t         |





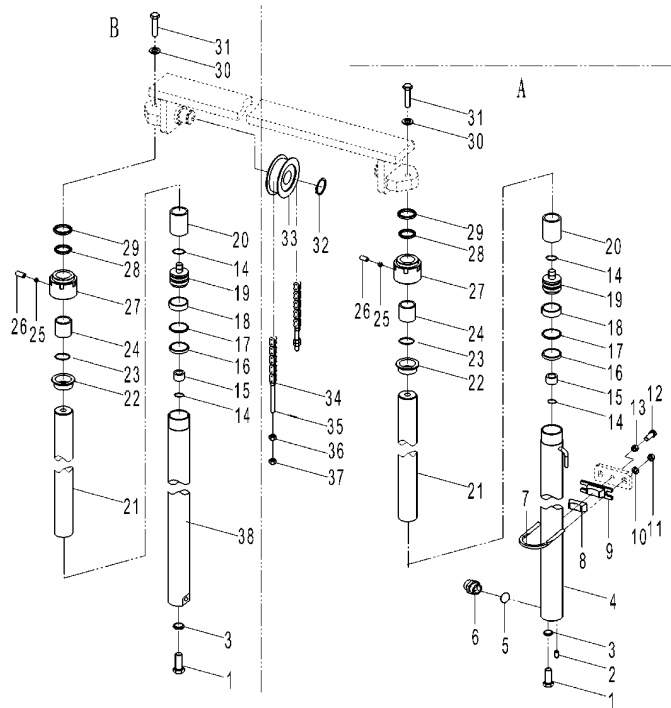




图45/FIG45.

后起升油缸(三级全自由)/REAR LIFT CYLINDER(FULL FREE 3-STAGE MAST)

R2B18-L1



| 序号<br>Item No. | 代号<br>Part No.     | 名称<br>Description      | 数量<br>Qty      | 备注<br>Remark |
|----------------|--------------------|------------------------|----------------|--------------|
| A              | RF018-7-8402000-A0 | Lift cylinder(right)   | 右起升油缸          | 1            |
| B              | RF018-7-8406000-A0 | Lift cylinder(left)    | 左起升油缸          | 1            |
| 1              | GB/T5786-2000      | Bolt M12×1.25×25       | 螺栓M12×1.25×25  | 2            |
| 2              | GB/T119-86         | Pin 10×24              | 圆柱销10×24       | 1            |
| 3              | GB/T93-1987        | Washer 12              | 垫圈 12          | 2            |
| 4              | Max153J02-100      | Cylinder body (right)  | 右缸体            | 1            |
| 5              | GB1235-76          | O-ring 22×2.4          | O形圈22×2.4      | 1            |
| 6              | Max020-SV100       | Safety valve           | 防爆阀            | 1            |
| 7              | RF018-7-8000001-A0 | Hoop                   | 箍              | 2            |
| 8              | RF035-4-8000010-A0 | Rubber pad             | 橡胶套            | 2            |
| 9              | RF018-7-8000002-A0 | Hoop seat              | 箍座             | 2            |
| 10             | GB/T97.1-2000      | Washer 10              | 垫圈 10          | 4            |
| 11             | GB/T6171-2000      | Nut M10×1.25           | 螺母M10×1.25     | 4            |
| 12             | GB/T5786-2000      | Bolt M12×1.25×30       | 螺栓 M12×1.25×30 | 2            |
| 13             | GB/T6171-2000      | Nut M12×1.25           | 螺母M12×1.25     | 2            |
| 14             | GB/T895.1-86       | Snap spring d=24       | 钢丝挡圈d=24       | 4            |
| 15             | TLC-15T03A         | Sleeve                 | 阀套             | 2            |
| 16             | OSI 45             | Packing 45×35×6        | 孔封45×35×6      | 2            |
| 17             | Max030-06-001      | Snap spring φ45×φ35×3  | 挡圈φ45×φ35×3    | 2            |
| 18             | Max152J01B-001     | bearing ring D45×8×2.5 | 孔用支承环D45×8×2.5 | 2            |
| 19             | TLC-15T02          | Piston                 | 活塞             | 2            |
| 20             | Max153J01-2        | Sleeve                 | 隔套             | 2            |
| 21             | Max153J01-1        | Piston rod             | 活塞杆            | 2            |
| 22             | TLC-15T06          | Bushing                | 衬套             | 2            |
| 23             | GB1235-76          | O-ring 55×3.1          | O形圈55×3.1      | 2            |

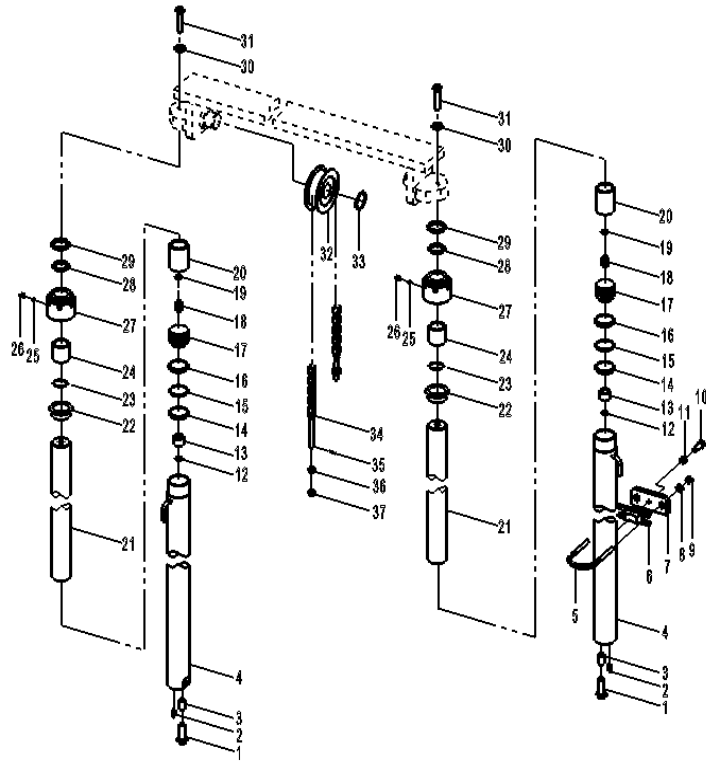




图46/Fig46.

后起升油缸(三级全自由)/REAR LIFT CYLINDER (FULL FREE 3-STAGE MAST)

R2B25-L1



| 序号<br>Item No. | 代号<br>Part No.     | 名称<br>Description      | 数量<br>Qty | 备注<br>Remark   |
|----------------|--------------------|------------------------|-----------|----------------|
| A              | RF025-4-8409000-A0 | Lift cylinder(right)   | 1         | 右起升油缸          |
| B              | RF025-4-8403000-A0 | Lift cylinder(left)    | 1         | 左起升油缸          |
| 1              | GB/T5786-2000      | Bolt M12×1.25×25       | 2         | 螺栓M12×1.25×25  |
| 2              | GB/T119-86         | Pin 10×24              | 2         | 圆柱销10×24       |
| 3              | RF035-4-8000003-A0 | Collar                 | 2         | 套管             |
| 4              | Max203J02A-100     | Cylidiner body         | 2         | 缸体             |
| 5              | RF035-4-8000008-A0 | Hoop                   | 2         | 箍              |
| 6              | RF035-4-8000010-A0 | Rubber pad             | 2         | 橡胶套            |
| 7              | RF035-4-8000009-A0 | Hoop seat              | 2         | 箍座             |
| 8              | GB/T97.1-2000      | Washer 10              | 4         | 垫圈 10          |
| 9              | GB/889.2-2000      | Nut M10×1.25           | 4         | 螺母M10×1.25     |
| 10             | GB/T5786-2000      | Bolt M12×1.25×60       | 2         | 螺栓 M12×1.25×60 |
| 11             | GB/T6171-2000      | Nut M12×1.25           | 2         | 螺母M12×1.25     |
| 12             | GB/T895.1-86       | Snap ring d30          | 4         | 钢丝挡圈d30        |
| 13             | TLC-30T34          | Sleeve                 | 2         | 阀套             |
| 14             | OSI 50             | Packing 50×40×6        | 2         | 孔封50×40×6      |
| 15             | Max202J01A-001     | Snap ring φ50×φ40×3    | 2         | 挡圈φ50×φ40×3    |
| 16             | Max202J01A-002     | Bearing ring D50×8×2.5 | 2         | 孔用支承环D50×8×2.5 |
| 17             | TLC-20T16          | Piston                 | 2         | 活塞             |
| 18             | TLC015-SV100       | One-way valve          | 1         | 单向阀            |
| 19             | GB/T895.1-86       | Snap ring d30          | 4         | 钢丝挡圈d30        |
| 20             | Max203J01-2        | Sleeve                 | 2         | 隔套             |
| 21             | MB203J01-1         | Piston rod             | 2         | 活塞杆            |
| 22             | TLC-20T05          | Bushing                | 2         | 衬套             |
| 23             | GB1235-76          | O-ring 60×3.1          | 2         | O形圈60×3.1      |

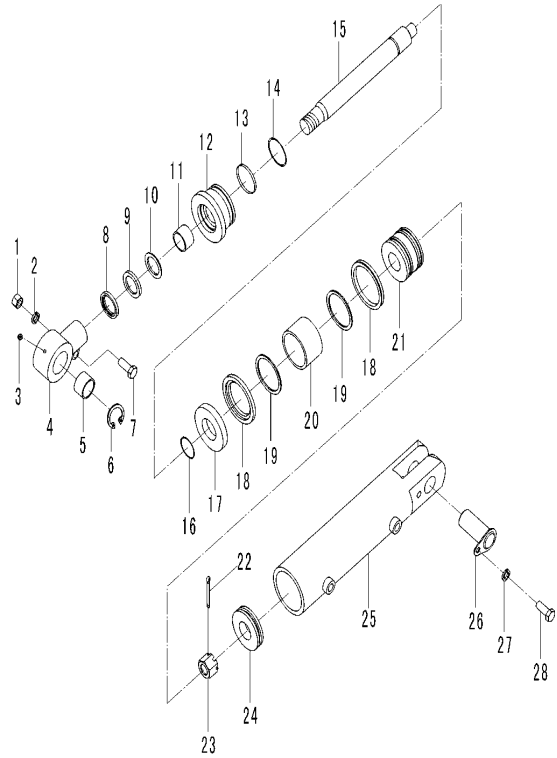




图47/Fig47.

倾斜油缸/TILT CYLINDER

R2B18-L1 R2B25-L1



| 序号<br>Item No. | 代号<br>Part No.     | 名称<br>Description          | 数量<br>Qty | 备注<br>Remark    |
|----------------|--------------------|----------------------------|-----------|-----------------|
| A              | RF025-7-8003000-A0 | Tilt cylinder(right)       | 1         | 右倾斜缸            |
| B              | RF025-7-8002000-A0 | Tilt cylinder(left)        | 1         | 左倾斜缸            |
| 01             | GB/T6171-2000      | Nut M14×1.5                | 1         | 螺母M14×1.5       |
| 02             | GB/T93-1987        | Washer 14                  | 1         | 垫圈14            |
| 03             | GB/T1152-76        | Nipple M10×1               | 1         | 油杯M10×1         |
| 04             | M030-06-1          | Connect ring               | 1         | 耳环              |
| 05             | GB/T304.5-81       | Oscillating bearing GE30ES | 1         | 关节轴承GE30ES      |
| 06             | GB/T893.1-86       | Clip spring D47            | 1         | 孔用弹挡D47         |
| 07             | GB/T5786-2000      | Bolt M14×1.5×55            | 1         | 螺栓M14×1.5×55    |
| 08             | LBH32              | proof seal d32×40×5/6.5    | 1         | 防尘圈d32×40×5/6.5 |
| 09             | MB020-001          | Snap ring φ42×φ32×3        | 1         | 挡圈φ42×φ32×3     |
| 10             | ISI 32             | Packing 32×42×6            | 1         | 轴封32×42×6       |
| 11             | SF-1 32            | Bush bearing 32×36×35      | 1         | 钢背轴承32×36×35    |
| 12             | TLC-30T22A         | Guiding bushing70          | 1         | 导向套70           |
| 13             | MB020-002          | nap ring φ70.5×φ62×1.5     | 1         | 挡圈φ70.5×φ62×1.5 |
| 14             | GB1235-76          | O-ring 70×5.7              | 1         | O型圈70×5.7       |
| 15             | MB020-06-1         | Piston rod                 | 1         | 活塞杆             |
| 16             | GB1235-76          | O-ring 38×3.5              | 1         | O型圈38×3.5       |
| 17             | MB020-06-1         | Spacer I                   | 1         | 调整套 I           |
| 18             | Max020-06-002      | Snap ring Φ70×Φ60×2.5      | 1         | 挡圈Φ70×Φ60×2.5   |
| 19             | Max020-06-003      | bearing ring D70×16×2.5    | 1         | 孔用支承环D70×16×2.5 |
| 21             | TLC-30T26          | Piston                     | 1         | 活塞              |
| 22             | GB/T91-86          | Cotter pin 5×45            | 1         | 开口销5×45         |
| 23             | GB/T9459-88        | Nut M27×2 δ27              | 1         | 槽母M27×2厚27      |
| 24             | HL015-06-04A       | Spacer II                  | 1         | 调整套 II          |





