

Print Number:

Print Date:

NOBLELIFT

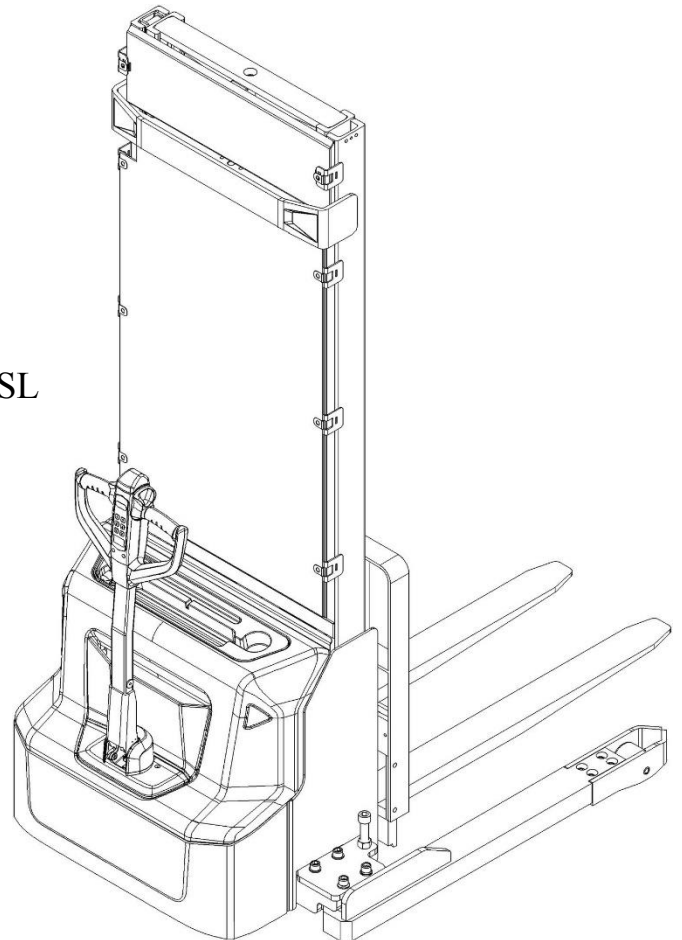


Scan QR Code for More

Electric Pallet Stacker PSE12BSL/PSE12NSL

PARTS MANUAL

536746020101



Version: V03

Truck Identification Number From:

Parts Manual PSE12BSL/PSE12NSL-PM03EN

Please order parts from authorized dealers of Noblelift Intelligent Equipment Co., LTD. In order to avoid wrong delivery, all the orders for spare parts should specify the following items:

- Truck model, identification number and manufacture year.
- Orders for spare parts of mast, hydraulic transmission unit, steering axle, motor, etc. shall indicate the manufacture number of these parts.
- Codes for Noblelift spare parts are shown in the table of parts manual. Please also pay attention to the description of supply status, order quantity, etc. (check the number listed in "Mark" column of the parts manual).

"Mark" Column:

The unmarked indicates the parts are in short supply cycle.

Number 1: supply as package. Indicating these that parts are small parts and seal parts, which are supplied in package unit and in short supply cycle.

Number 2: supply with constraints. Indicating that these spare parts are not in stock and will be prepared for production after receiving the order from customers, which are in long supply cycle.

Number 3: phasing-out supply. Indicating that these parts will be replaced by new parts due to technical improvements and the current stock will not be available when these parts run out. Please check the description of technical improvements notice.

Number 4: supply as assembly. Indicating that these parts are assembly parts defined by manufacture process, which cannot be supplied as a single part.

Number 5: check other tables.

This parts manual is the property of Noblelift and can be shared under the confidential agreement only, Noblelift has the right to claim for compensation of any unauthorized use. Copy without permission is not allowed. Figures in the manual are not limited by the original design. Noblelift Intelligent Equipment Co., LTD reserves the right to improve the products for continuous technology progress.

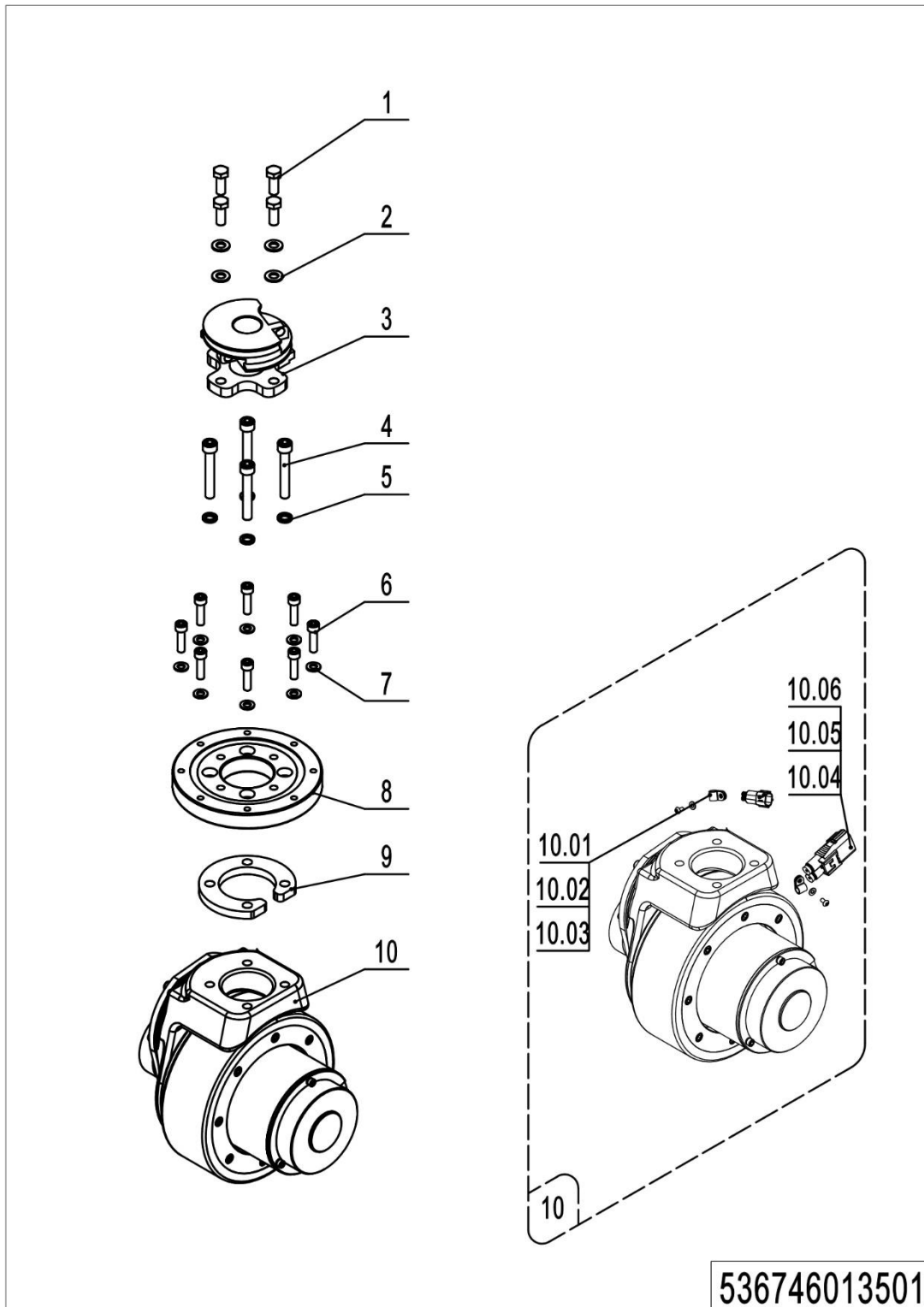
TABLE OF CONTENTS

Chapter 1: Drive system	5
01 Drive unit (536746013501).....	5
02 Drive assembly (ZD) (536746013001)	7
03 Drive Assembly (YX) (532246013002).....	9
Chapter 2: Hydraulic system.....	11
01 Hydraulic unit (536746024001).....	11
02 Pump unit (536746023501)	13
Chapter 3: Truck structure	15
01 Truck frame (536746021501)	15
01 Truck frame (536746021501) continuation	17
02 Forks (536746038001).....	19
03 Battery holder (536746012501).....	21
04 Battery holder (lithium battery) (536746012502).....	23
05 Control panel assembly (532246010001)	25
06 Control panel assembly (EN1175:2020) (532246010002)	27
Chapter 4: Steering system, braking system and wheels	29
01 Tiller (532246011001).....	29
02 Tiller head (532246011002).....	31
03 Tiller head (DETONG) (EN1175:2020) (532246011012)	33
04 Tiller head (SHIJIA) (EN1175:2020) (532246011013).....	35
05 Load wheel (536746017001)	37
06 Side wheel (536746016501)	39
07 Manual steering (536746031201).....	41
Chapter 5: Mast system.....	43
01 Two stage mast (532246044001).....	43
01 Two stage mast (532246044001) continuation	45
01 Two stage mast (532246044001) continuation	47
02 Single mast (532246043001)	49
02 Single mast (532246043001) continuation	51

Chapter 6: Electrical parts and wire harness.....	53
01 Wire harness (532246033001)	53
02 Wire harness (EN1175:2020) (532246033010)	55
03 Wire harness (lithium battery) (532246033002).....	57
04 Wire harness (lithium battery, EN1175:2020) (532246033011)	59
05 Electrical control unit (536746033003).....	61
06 Charger (lead-acid battery) (532246036501).....	63
07 Charger (lithium battery) (532246036502).....	65
Chapter 7: Special equipment	67
01 Load backrest (536746040501)	67
Chapter 8: Others	69
01 Labels and decals (EU) (536746047001).....	69
02 Labels and decals (USA) (536746047002).....	71
Appendix.....	73
01 Electrical circuit diagram (lead-acid battery) (532246045501)	73
02 Electrical circuit diagram (Lithium battery) (532246045502).....	74
03 Electrical circuit diagram (lead-acid battery, EN1175:2020) (532246045510)	75
04 Electrical circuit diagram (Lithium battery, EN1175:2020) (532246045511)	76
05 Hydraulic circuit diagram (532246045503).....	77
06 Easy worn parts list.....	78

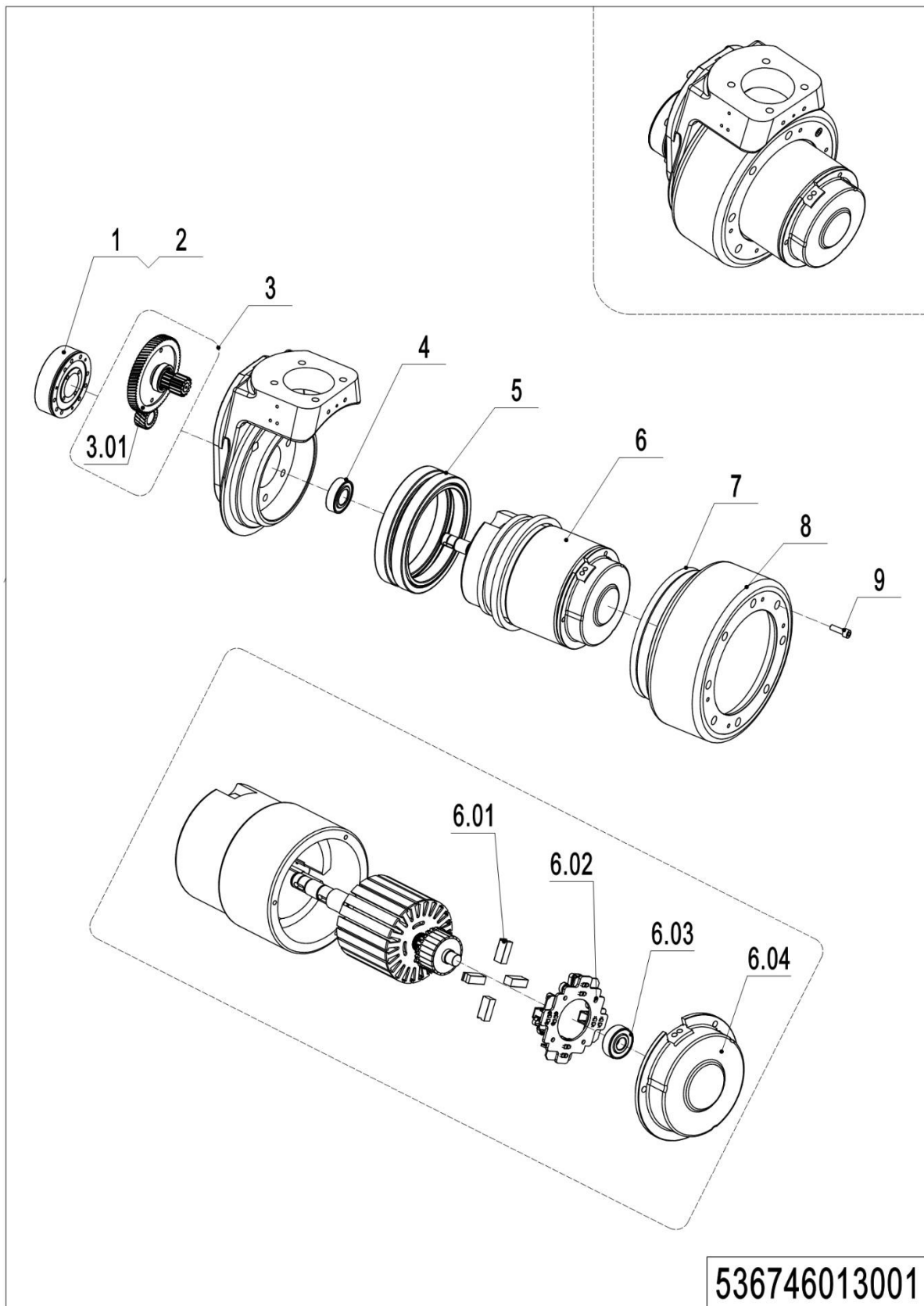
Chapter 1: Drive system

01 Drive unit (536746013501)



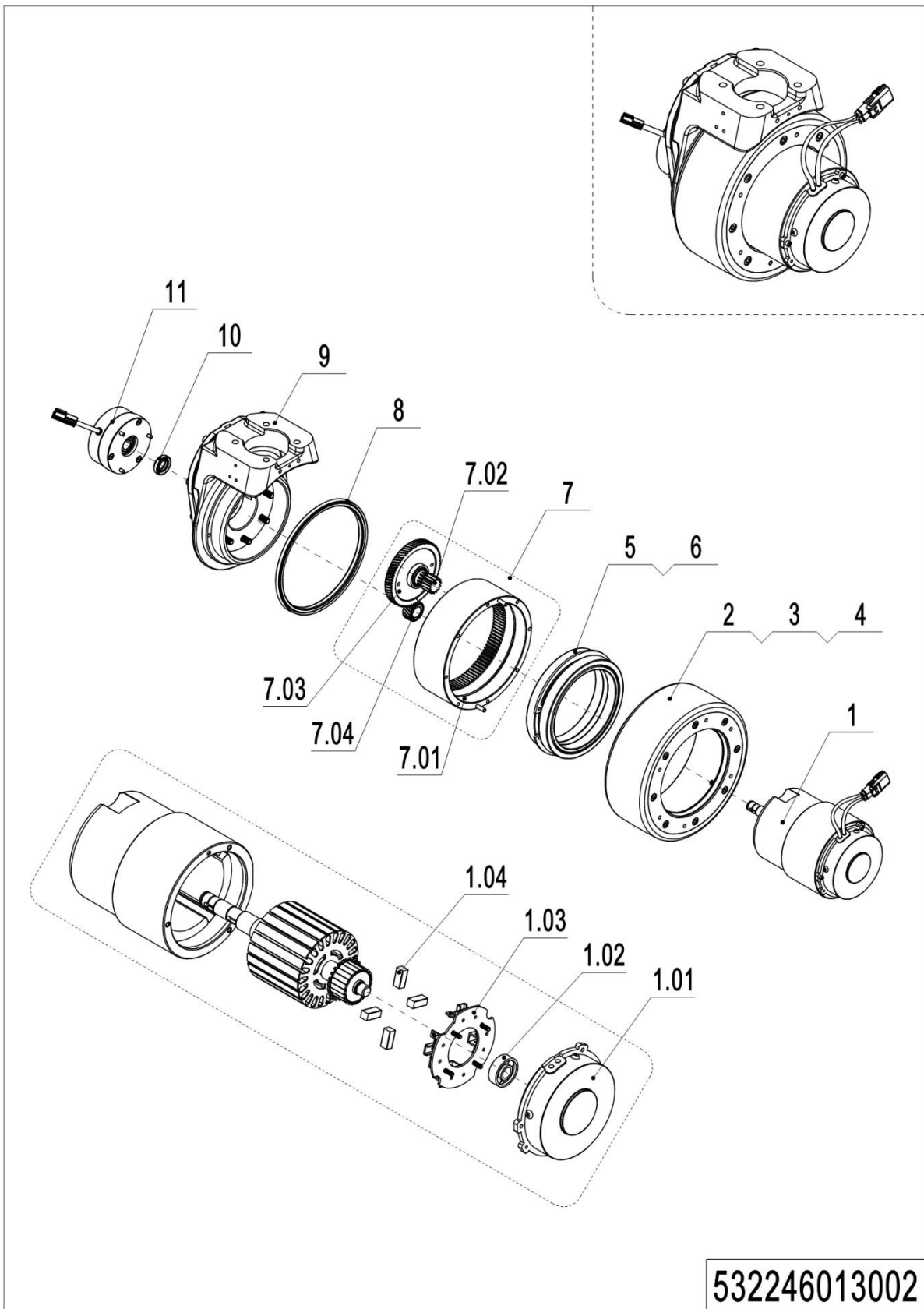
01 Drive unit (536746013501)

No.	Item Code	Mark	Item Description	Qty.	Substitute	Note
1	910100300036	1	Bolt	4		
2	910400100007	1	Flat Washer	4		
3	536731210001		Drive axle welding	1		
4	910200200082	1	Screw	4		
5	910400500007	1	Spring Washer	4		
6	910200200138	1	Screw	8		
7	910400100006	1	Flat Washer	8		
8	532213520001		Slewing Bearing	1		
9	536713520001		Linking plate	1		
10	508098510057	5	Drive Assembly (ZD)	1		PU wheel
10	508098510082	5	Drive Assembly (ZD)	1		Anti-skip wheel
10	508013510002		Drive Assembly (YX)	1		YX
10	508013510005		Drive Assembly (YX)	1		YX, Anti-skip wheel
10.01	910200700001	1	Screw	2		
10.02	910400100003	1	Flat Washer	2		
10.03	921300200001		Cable Clamp	2		
10.04	920400200169	1	Connector	1		
10.05	920400200171	1	Connector	2		
10.06	920400200172	1	Connector	2		

02 Drive assembly (ZD) (536746013001)

02 Drive assembly (ZD) (536746013001)

No.	Item Code	Mark	Item Description	Qty.	Substitute	Note
--	508098510057		Drive Assembly (ZD)	1		PU wheel
--	508098510082		Drive Assembly (ZD)	1		Anti-skip wheel
1	508098520002	2	Brake	1		ZD,8NM
2	508098520040		Rubber Strip	1		
3	508098510015	2	Gear Components	1		
3.01	508098520004		Gear	1		
4	910700200004		Bearing	1		
5	508098520011	2	Gear Ring	1		
6	508098510071		Motor	1		Waterproof plug
6.01	508098520000	2	Carbon Brush	4		
6.02	508098520001	2	Carbon Brush Holder	1		
6.03	910700200016		Bearing	1		
6.04	508098520036	2	End Cap	1		
7	508098520032		Seal	1		
8	508098520003		Wheel	1		
8	508098520026		Wheel	1		Anti-skip wheel
9	910200200167		Screw Kits	8		

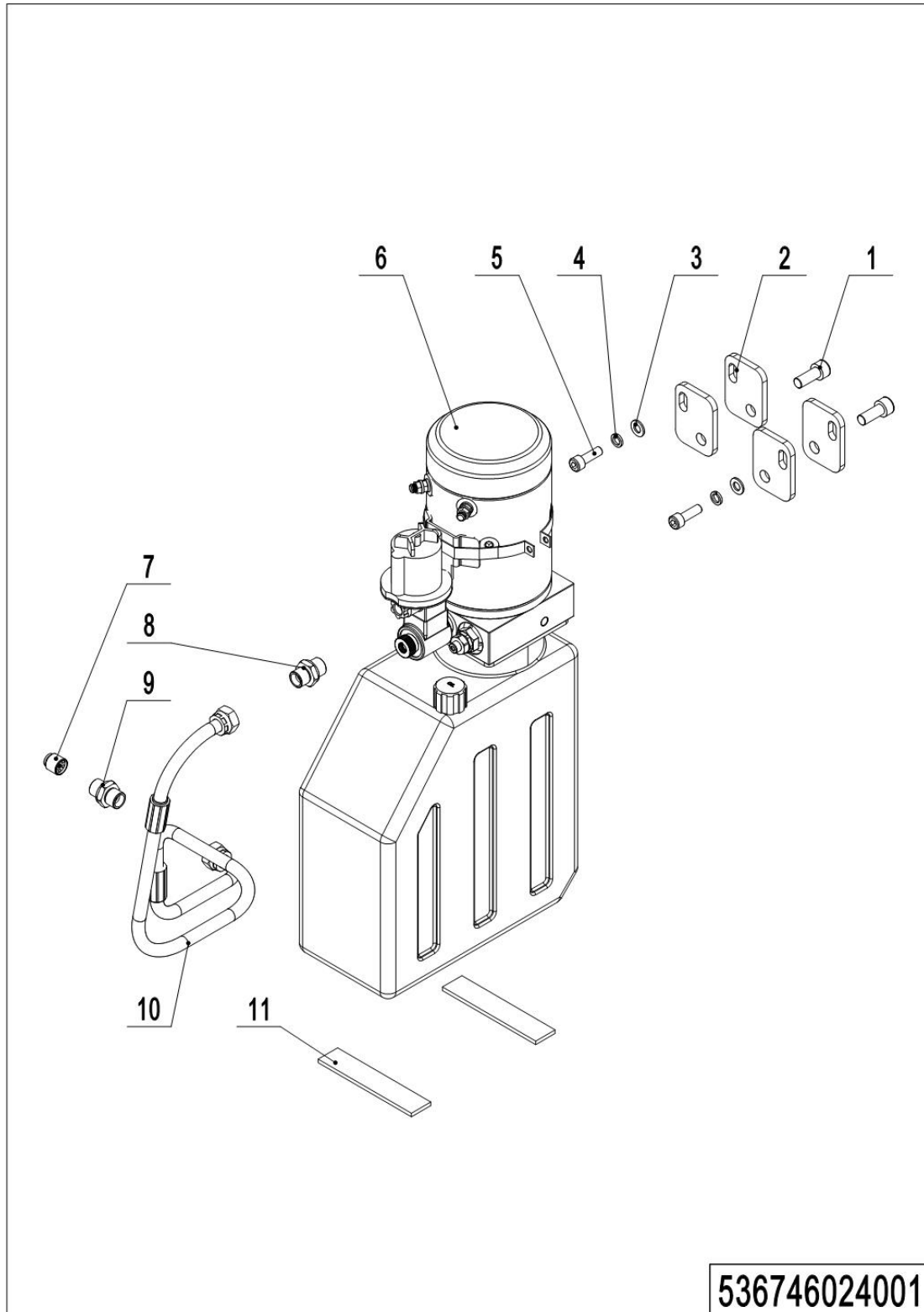
03 Drive Assembly (YX) (532246013002)

03 Drive Assembly (YX) (532246013002)

No.	Item Code	Mark	Item Description	Qty.	Substitute	Note
--	508013510002		Drive Assembly (YX)	1		YX
--	508013510005		Drive Assembly (YX)	1		YX, Anti-skip wheel
1	508098510158		Motor	1		Waterproof plug
1.01	507798520022		End Cap	1		
1.02	910700200016		Bearing	1		
1.03	507798520024		Carbon Brush Holder	1		
1.04	507798520023		Brush	4		
2	961004000009		Wheel	1		
2	961004200001		Wheel	1		Anti-skip wheel
3	961004000011		Oil seal	1		
4	910200200167		Screw	8		
5	910700200044		Bearing	2		
6	961004000007		Sleeve	1		
7	507798510006		Gear Components	1		
7.01	961004000006		Gear	1		
7.02	961004000003		Gear Shaft	1		
7.03	961004000002		Gear	1		
7.04	961004000005		Gear	1		
8	961004000010		Oil seal	1		
9	507798510007		Gearbox	1		
10	961000700012		Oil seal	1		
11	940700100015		Brake	1		STEKI

Chapter 2: Hydraulic system

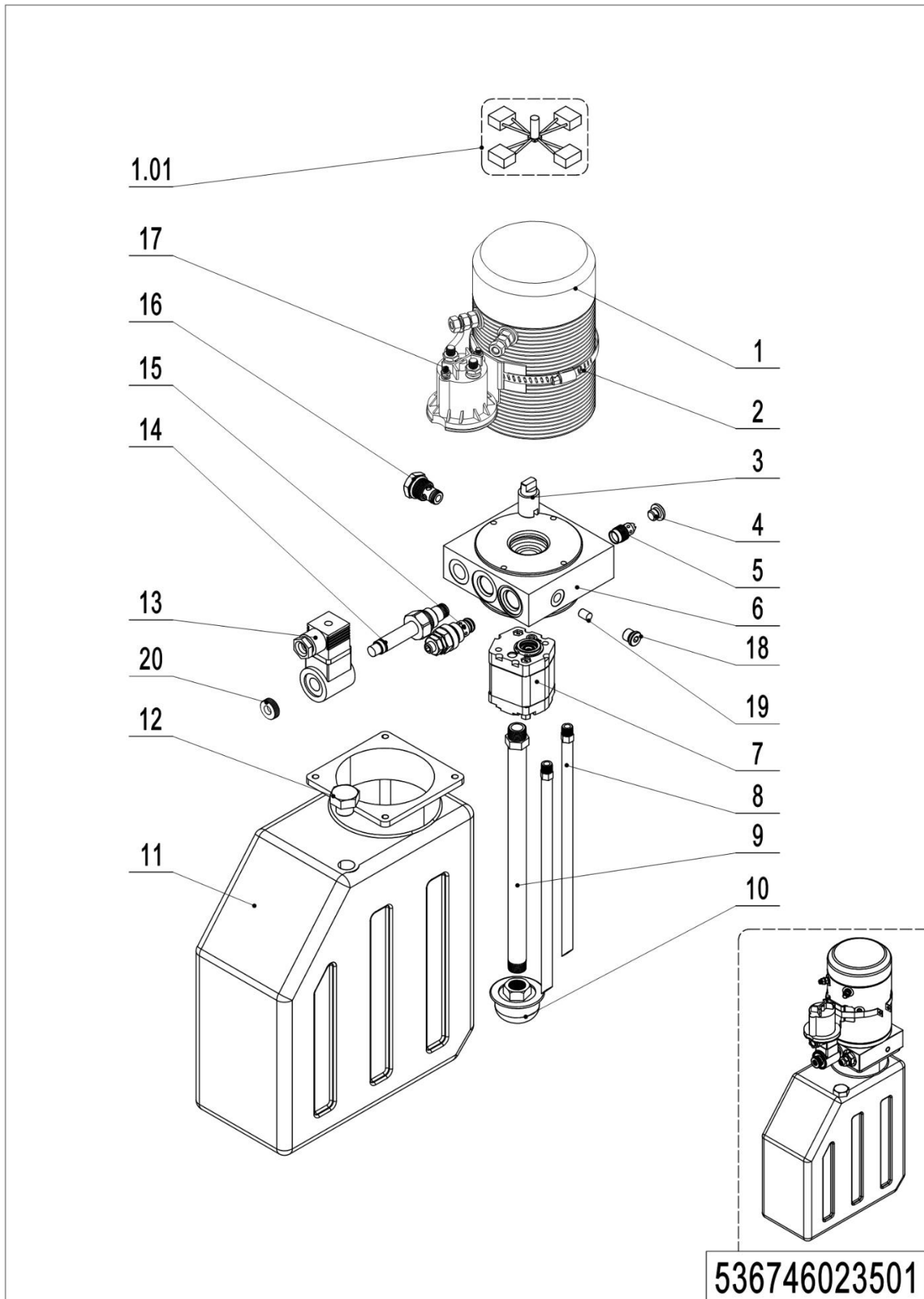
01 Hydraulic unit (536746024001)



01 Hydraulic unit (536746024001)

No.	Item Code	Mark	Item Description	Qty.	Substitute	Note
1	910200200076	1	Screw	2		
2	532223520001		Plate	4		
3	910400100006	1	Flat Washer	2		
4	910400500006	1	Spring Washer	2		
5	910200200058	1	Screw	2		
6	-----	5	Pump Unit	1		Check 536746023501
7	950600300001		Safety Valve	1		
8	950400300007		Joint	1		
9	950400400003		Joint	1		
10	536724020001		Hose	1		
11	532223520010		Buffer gasket	2		

02 Pump unit (536746023501)



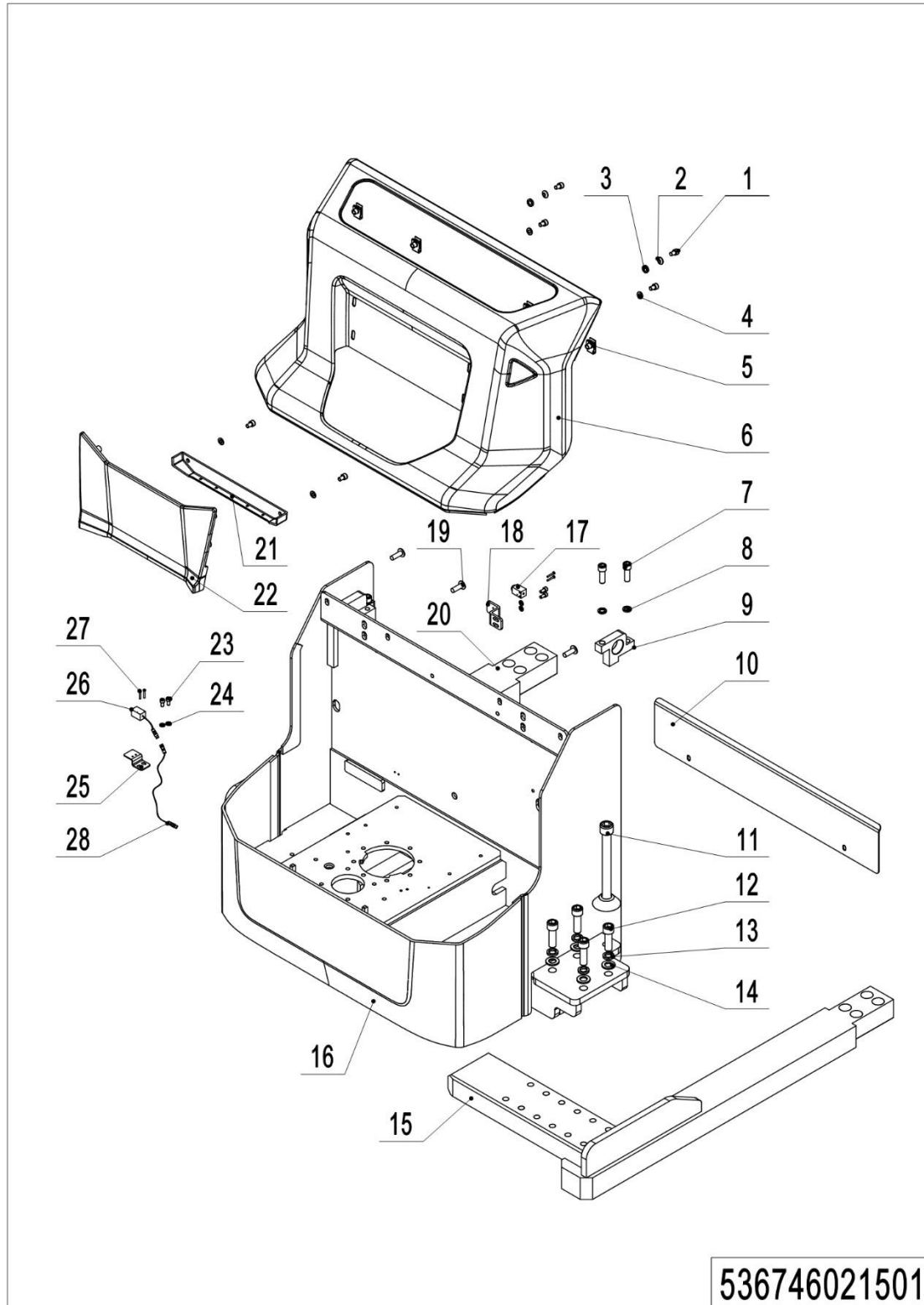
1=Supply as package; 2=Supply with limit; 3=Phasing out supply; 4=Supply as assembly; 5=Check other lists.

02 Pump unit (536746023501)

No.	Item Code	Mark	Item Description	Qty.	Substitute	Note
--	950900100108		Pump Unit	1		
1	532298510056		Motor	1		
1.01	532298510058		Carbon Brush	1		
2	532298510040		Hose Clamp	1		
3	532298520007		Coupling	1		
4	532298520003		End Cap	1		
5	532298510059		Valve	1		
6	53229810060		Valve Block	1		
7	532298510057		Gear pump	1		
8	532298520004		Pipe	2		
9	536798520002		Oil suction pipe	1		
10	532298510031		Filter	1		
11	536798520003		Oil tank	1		
12	532298510030		Vent plug	1		
13	532298510034		Coil	1		
14	532298510033		Magnetic Valve	1		
15	532298510044		Overflow valve	1		
16	532298510028		Check Valve	1		
17	532298510036		Switch	1		
18	532298510061		End Cap	1		
19	532298520010		Throttle screw	1		
20	532298520011		Nut	1		

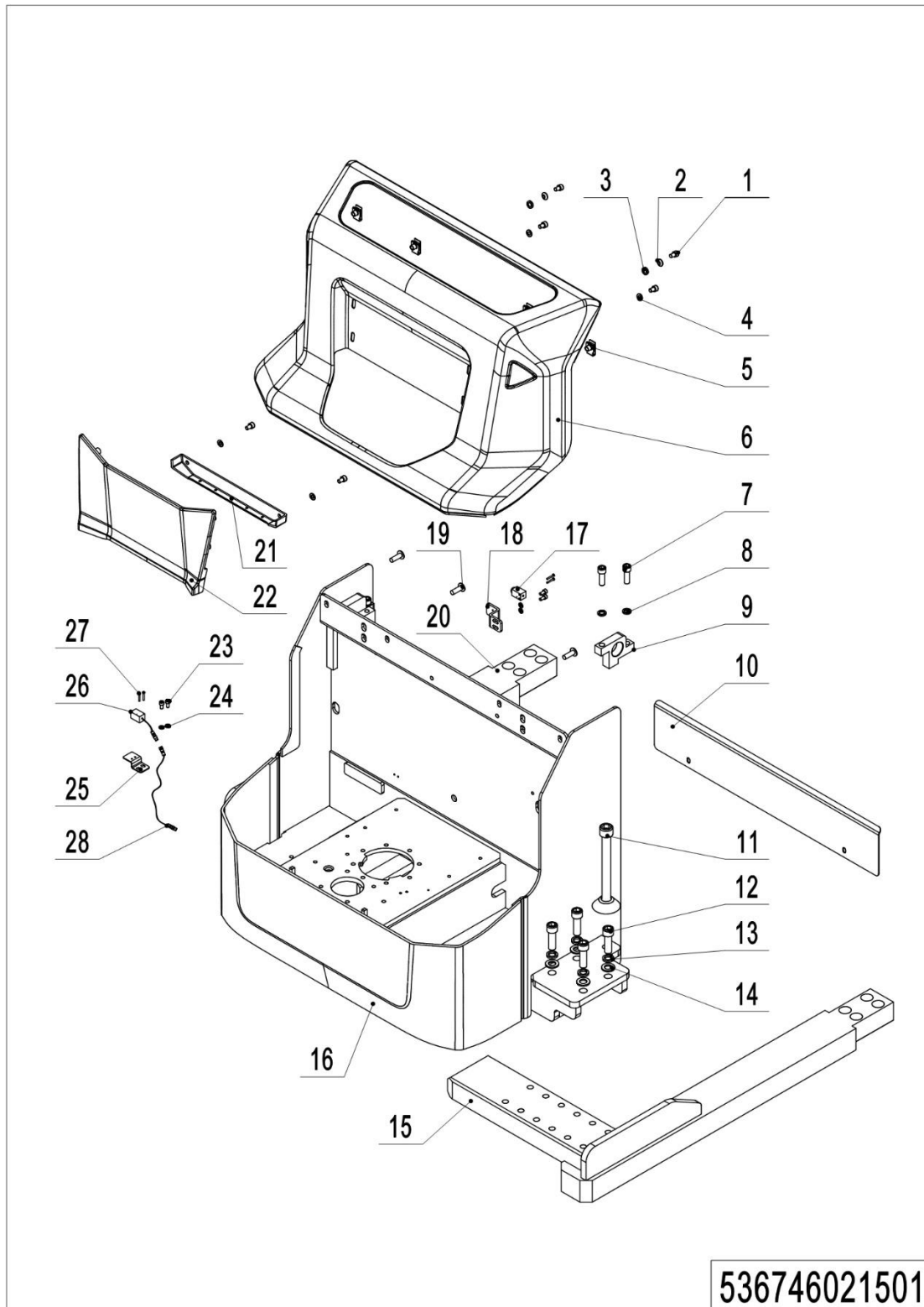
Chapter 3: Truck structure

01 Truck frame (536746021501)



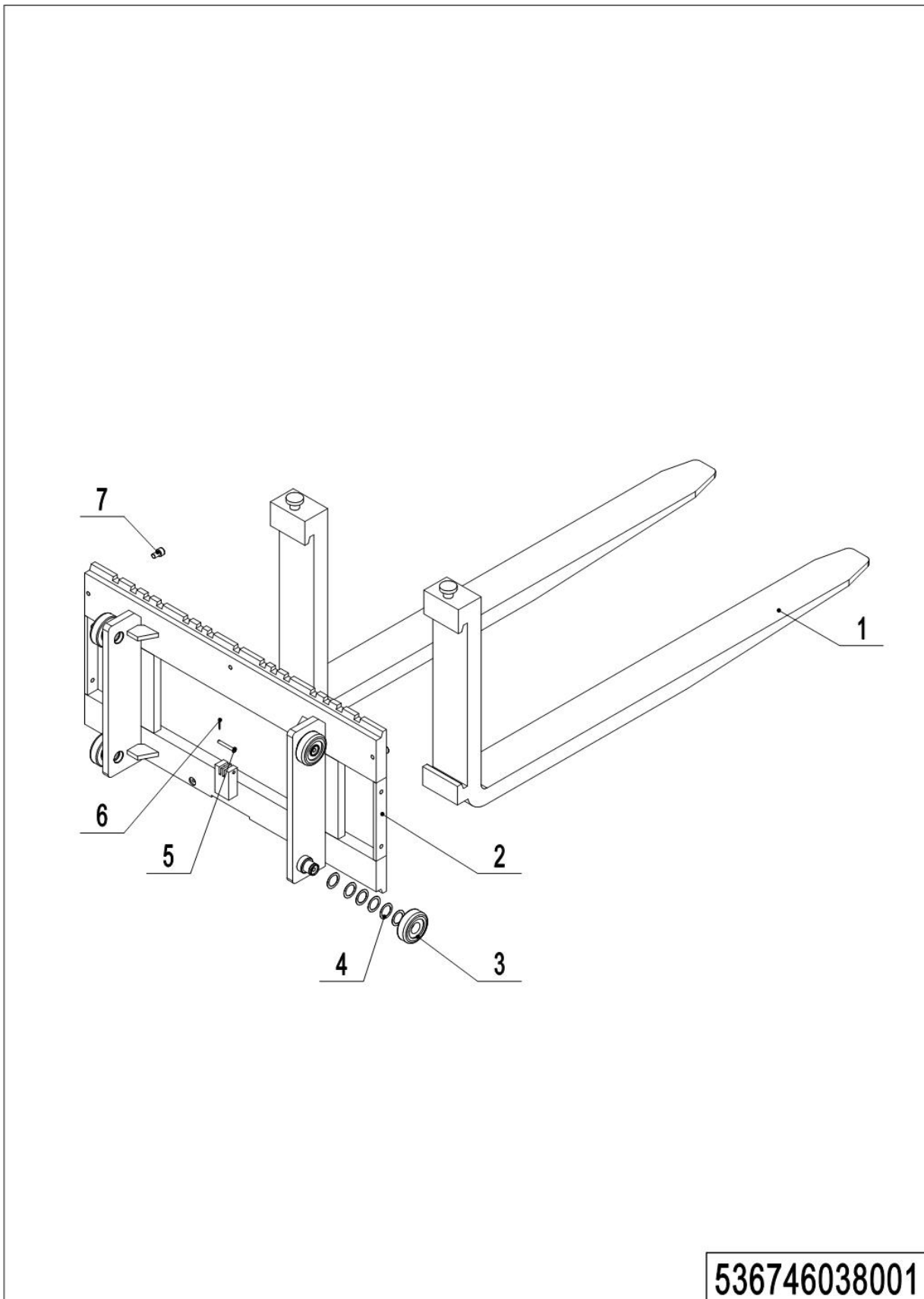
01 Truck frame (536746021501)

No.	Item Code	Mark	Item Description	Qty.	Substitute	Note
1	910200200053	1	Screw	8		
2	910400600004	1	Spherical Washer	2		
3	910400700004	1	Taper faced washer GB850-8	2		
4	910400100006	1	Flat Washer	6		
5	940400400003		Cage Nut	4		
6	532221510003		Cover	1		
7	910200200099	1	Screw	4		
8	910400500008	1	Spring Washer	4		
9	532221520020		Mounting Plate	2		
10	536721520001		Baffle	1		
11	536721510004		Support Leg Kit	2		
12	910200200114		Screw	8		
13	910400500010		Spring Washer	8		
14	910400100010		Flat Washer	8		
15	536721510003	2	Leg	1		
16	536721510001	2	Chassis welding	1		
17	920200400030		Proximity Switch	1		Only for mono mast
18	532243020012		Mounting Plate	1		Only for mono mast
19	941100100004	1	Screw	4		
20	536721510002	2	Leg	1		
21	532221520025		Cover	1		
22	532221520024		Panel	1		
23	910200200033	1	Screw	2		Two stage mast
23	910200200033	1	Screw	4		Mono mast
24	910400100005	1	Flat Washer	2		Two stage mast
24	910400100005	1	Flat Washer	4		Mono mast
25	532221520023		Mounting Plate	1		
26	920200400029		Proximity Switch	1		

01 Truck frame (536746021501) continuation

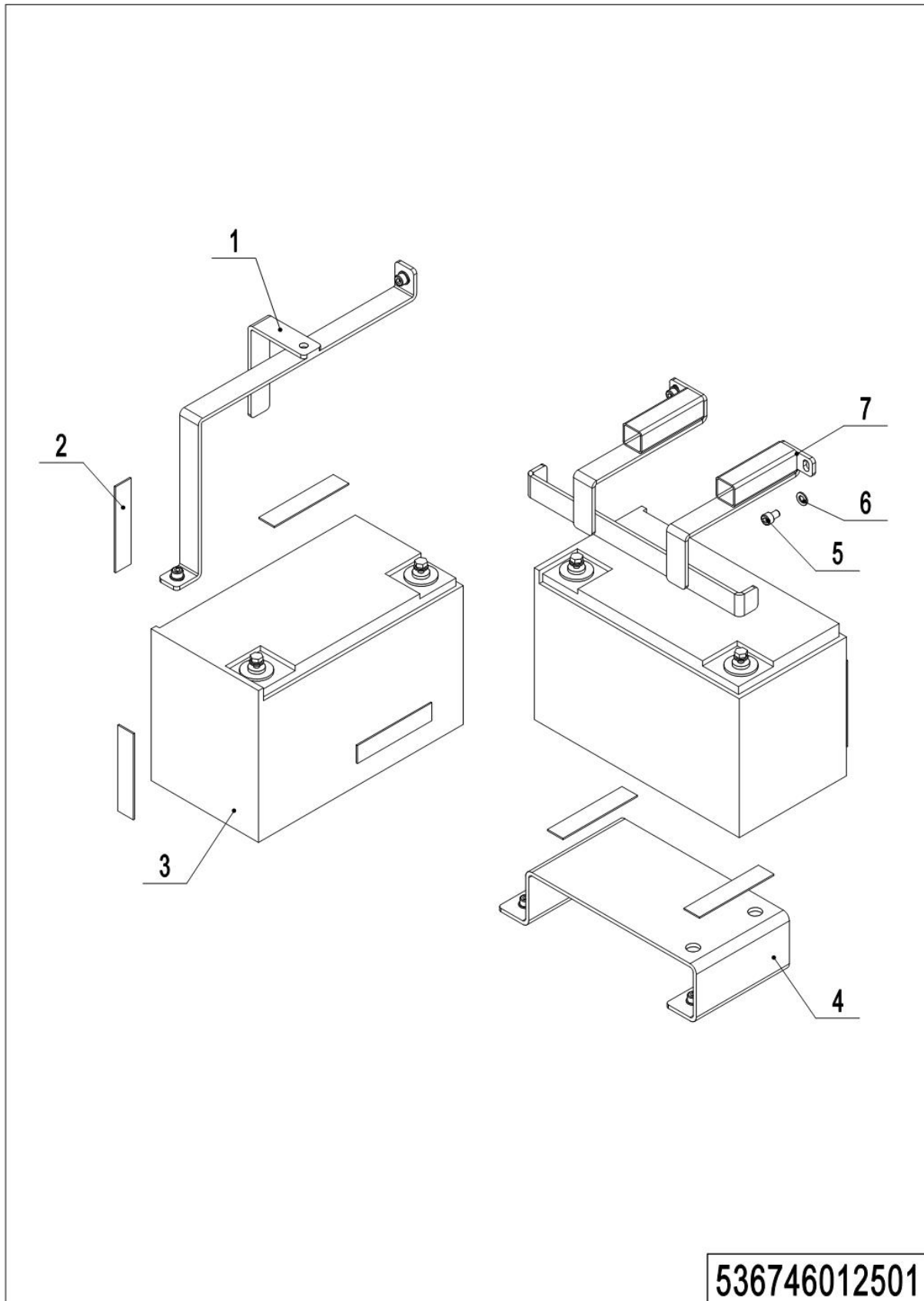
01 Truck frame (536746021501) continuation

No.	Item Code	Mark	Item Description	Qty.	Substitute	Note
27	910200500015	1	Screw	2		Two stage mast
27	910200500015	1	Screw	4		Mono mast
28	921500100077		Cable	1		

02 Forks (536746038001)

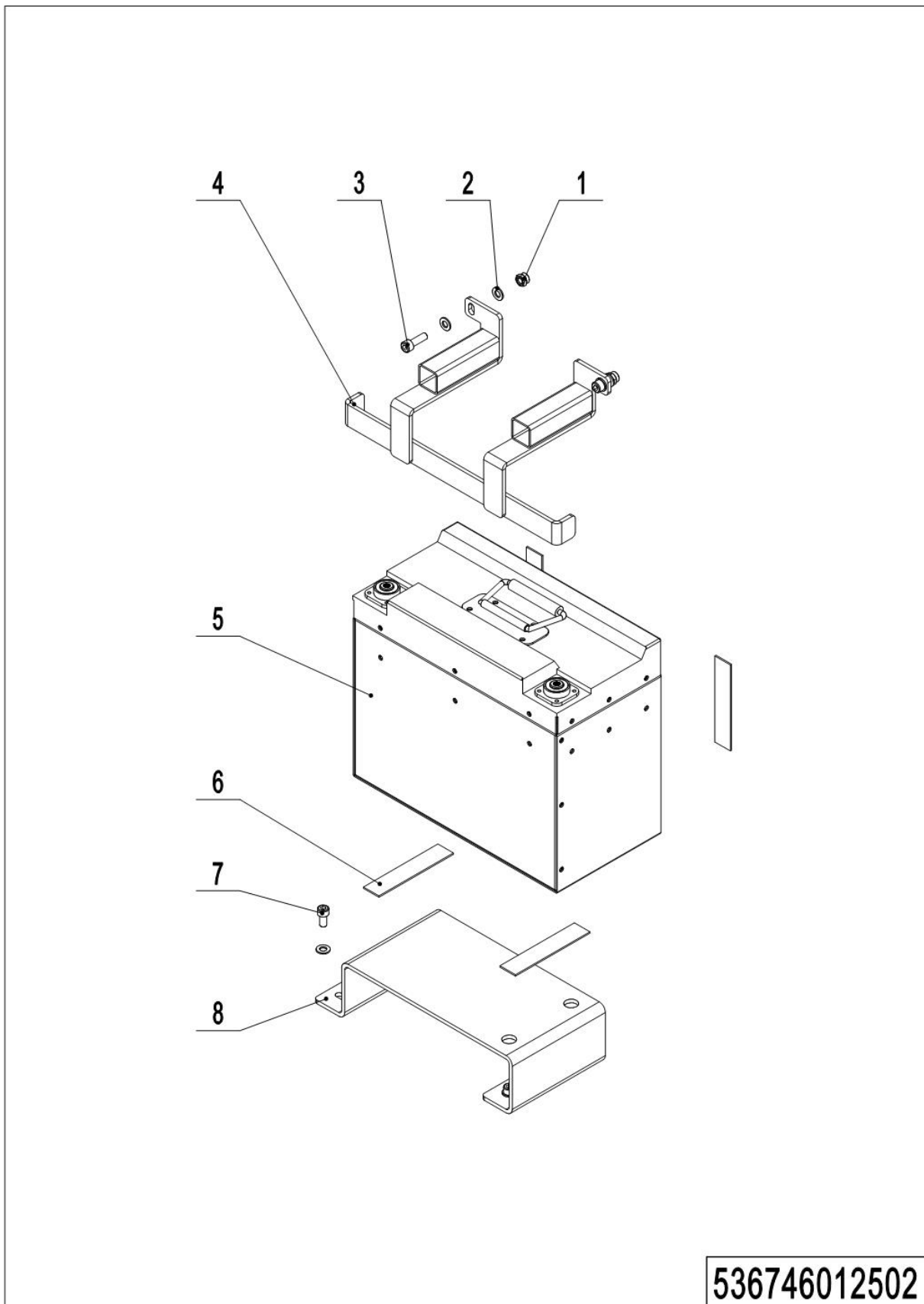
02 Forks (536746038001)

No.	Item Code	Mark	Item Description	Qty.	Substitute	Note
1	940100100045		Fork100x40x1150	2		
2	536738010001		Fork	1		Two-stage mast
2	536738010002		Fork			mono mast
3	940200100038		Main Roller	4		
4	940600500016		Washer	24		
5	941100800006		Pin	1		
6	910600600015		Cotter Pin	1		
7	910200200074		Screw	3		

03 Battery holder (536746012501)

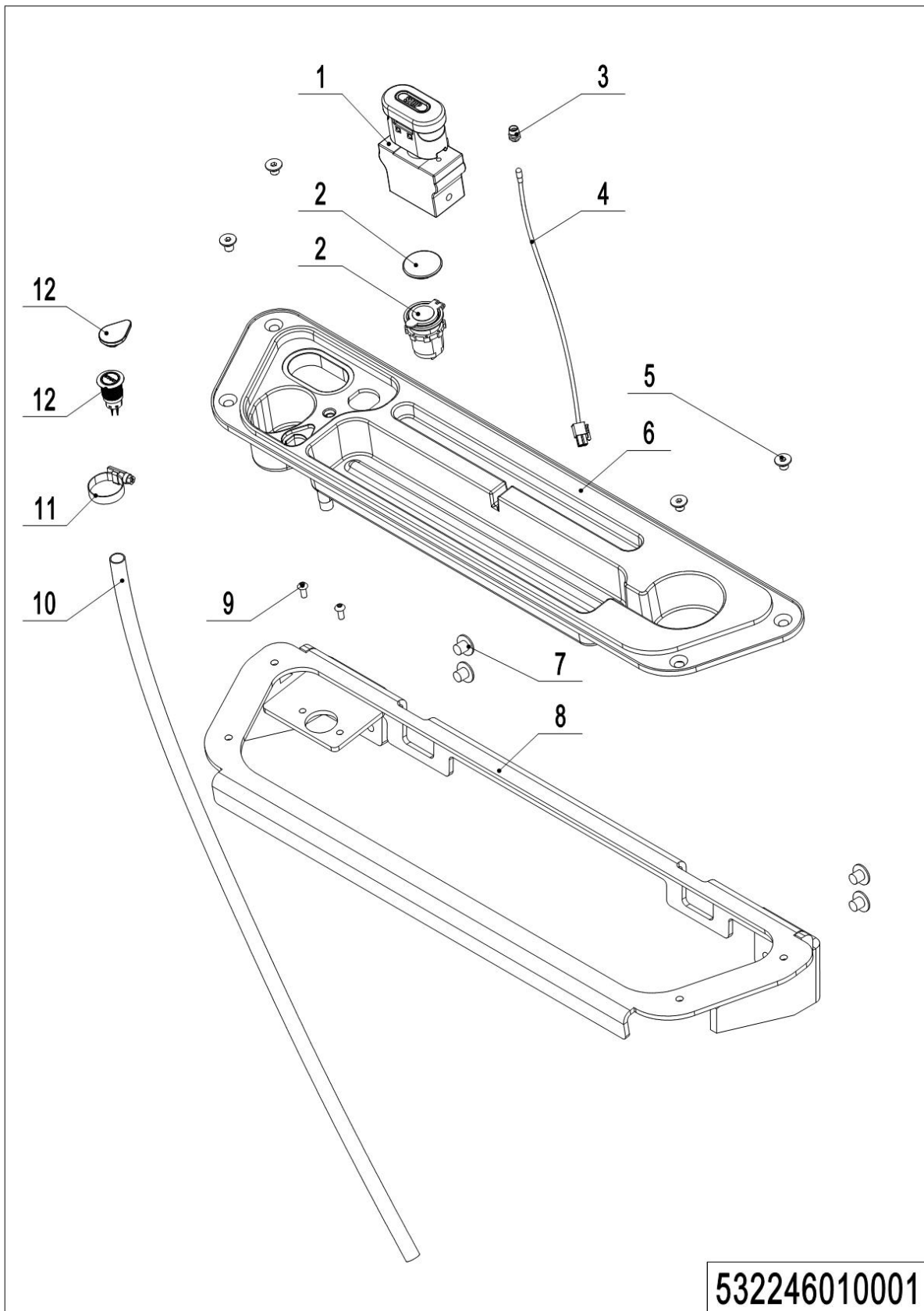
03 Battery holder (536746012501)

No.	Item Code	Mark	Item Description	Qty.	Substitute	Note
1	536712510003		Mounting Plate	1		85Ah
1	536712510001		Mounting Plate	1		106Ah
2	536712520002		Crash Pad	9		
3	920600100080		Battery12V85Ah	2		LEOCH
3	920600100081		Battery12V106Ah	2		LEOCH
3	920600100460		Battery12V85Ah	2		LEOCH,EN1175:2020
3	920600100461		Battery12V106Ah	2		LEOCH,EN1175:2020
4	536712520001		Mounting Plate	1		
5	910200200053	1	Screw	8		
6	910400100006	1	Flat Washer	8		
7	532212510001		Mounting Plate	1		85Ah
7	532212510003		Mounting Plate	1		106Ah

04 Battery holder (lithium battery) (536746012502)

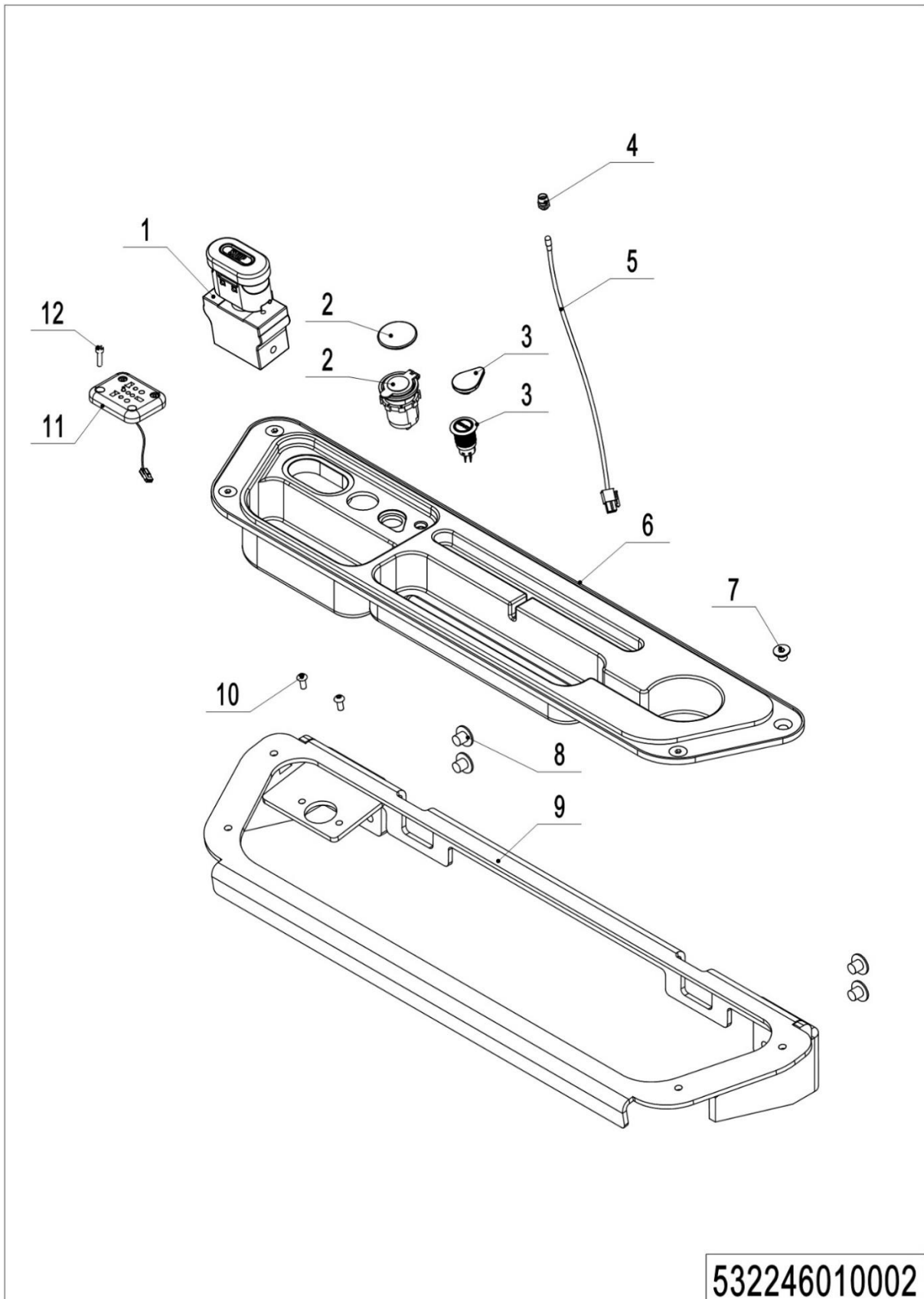
04 Battery holder (lithium battery) (536746012502)

No.	Item Code	Mark	Item Description	Qty.	Substitute	Note
1	910300500004	1	Nut	2		
2	910400100006	1	Flat Washer	8		
3	910200200058	1	Screw	2		
4	536712510002		Mounting Plate	1		
5	920600100082		Li Battery24V60Ah	1		
5	920600100262		Li Battery24V60Ah	1		EN1175:2020
6	536712520002		Crash Pad	5		
7	910200200053	1	Screw	4		
8	536712520001		Mounting Plate	1		

05 Control panel assembly (532246010001)

05 Control panel assembly (532246010001)

No.	Item Code	Mark	Item Description	Qty.	Substitute	Note
1	920200100009		Emergency Button	1		
2	532210020003		Close Plate	1		Lead-acid battery
2	921900100006		USB interface	1		Lithium battery
3	922000100024		Lamp Holder	1		
4	532298510006		Indicator Light	1		
5	910200400023	1	Screw	4		
6	532210020001		Bezel	1		
7	941100100005		Screw	4		
8	532210010001		Mounting Plate	1		
9	910200300012	1	Screw	2		
10	532210020008		Pipe	1		
11	911000600008		Hose Clamp	1		
12	532210020002		Close Plate	1		Lead-acid battery
12	532233010023		Button	1		Lithium battery

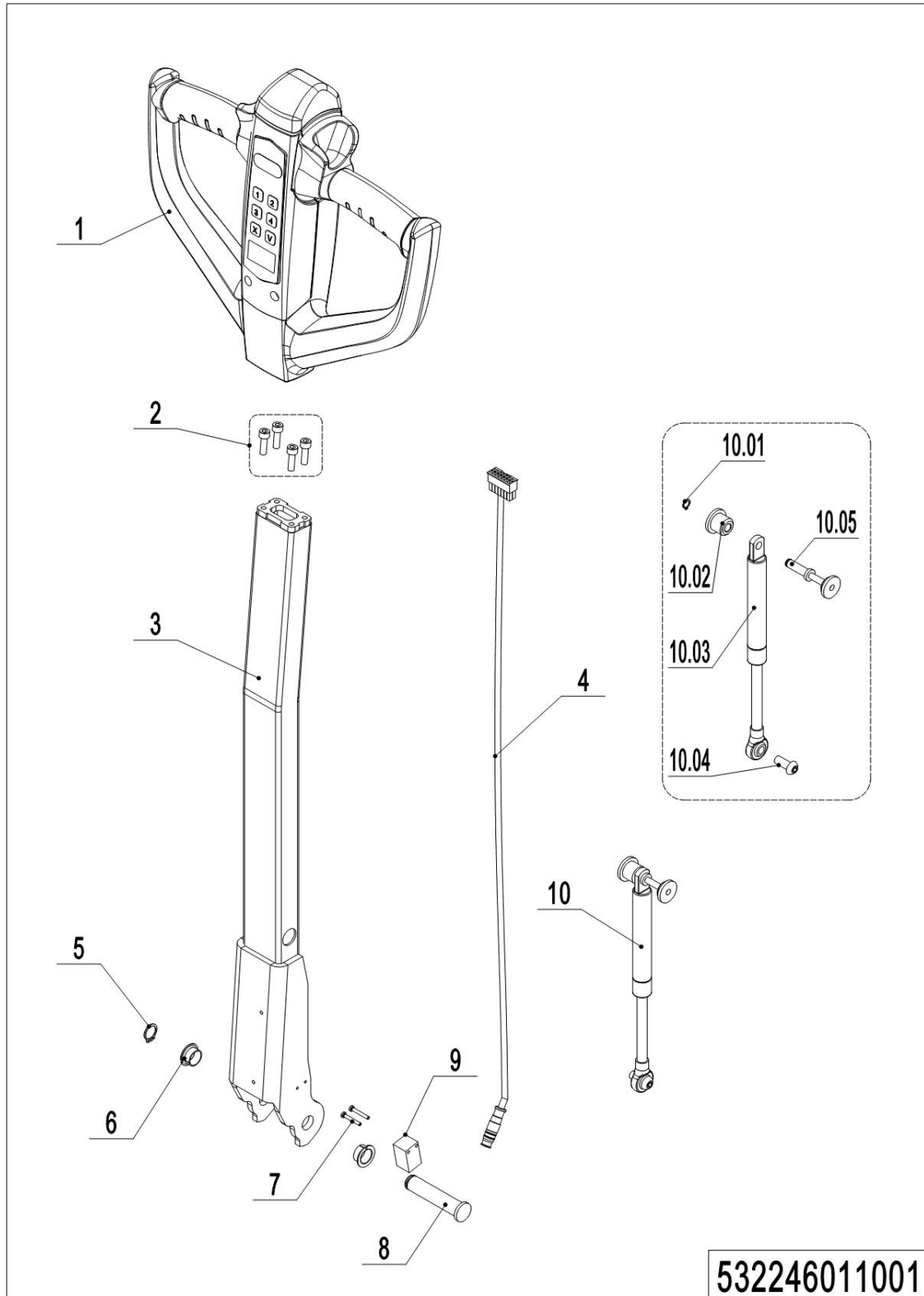
06 Control panel assembly (EN1175:2020) (532246010002)

06 Control panel assembly (EN1175:2020) (532246010002)

No.	Item Code	Mark	Item Description	Qty.	Substitute	Note
1	920200100009		Emergency Button	1		
2	532210020003		Close Plate	1		Lead-acid battery
2	921900100006		USB interface	1		Lithium battery
3	532210020002		Close Plate	1		Lead-acid battery
3	532233010023		Button	1		Lithium battery
4	922000100024		Lamp Holder	1		
5	532298510006		Indicator Light	1		
6	532210020009		Bezel	1		
7	910200400023	1	Screw	4		
8	941100100005		Screw	4		
9	532210010001		Mounting Plate	1		
10	910200300012	1	Screw	2		
11	920400300024		Socket	1		
12	910200200015	1	Screw	3		

Chapter 4: Steering system, braking system and wheels

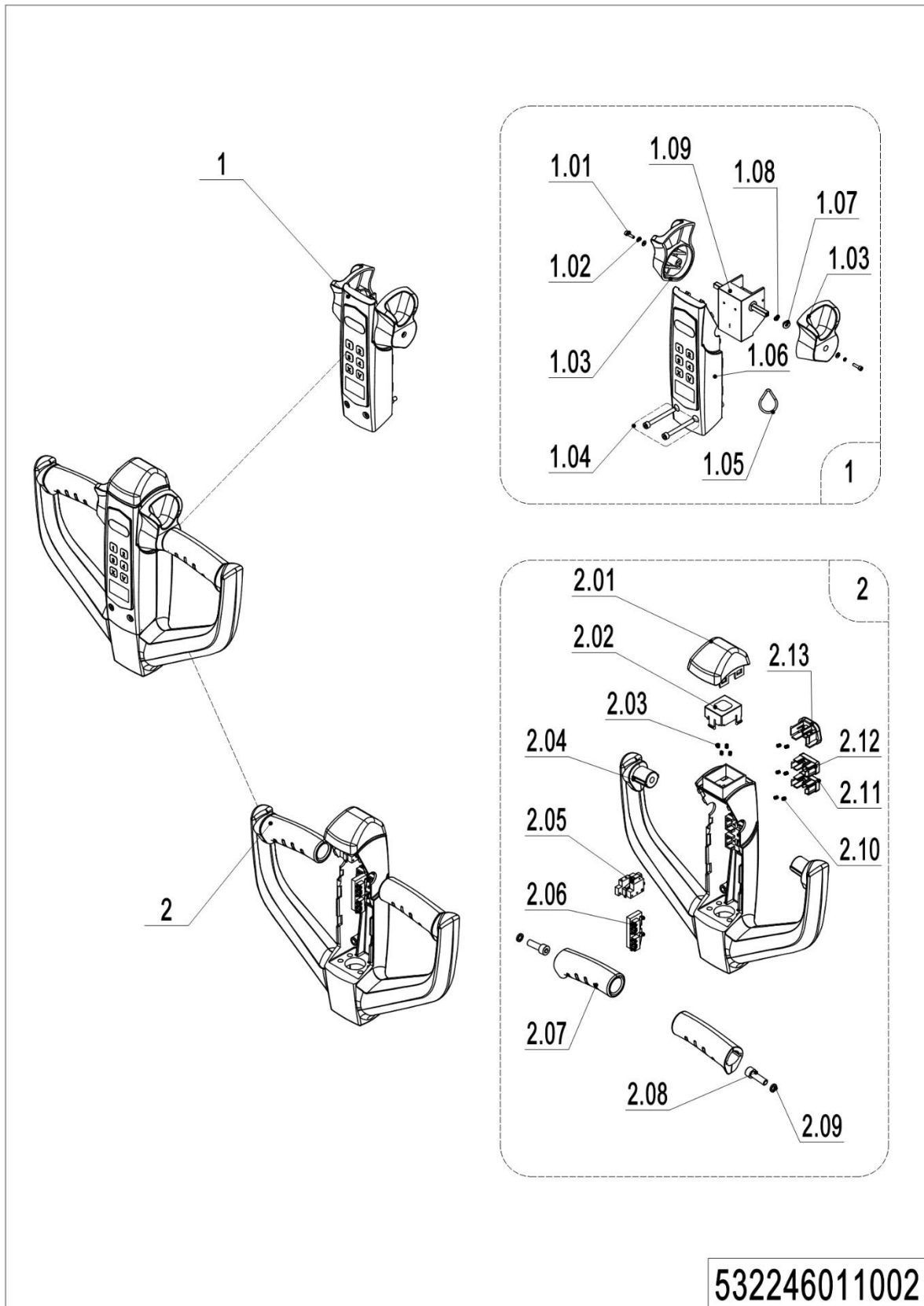
01 Tiller (532246011001)

**532246011001**

01 Tiller (532246011001)

No.	Item Code	Mark	Item Description	Qty.	Substitute	Note
1	922100100021		Tiller	1		
1	922100100028		Tiller	1		IC card
1	922100100116		Tiller	1		EN1175:2020
1	922100100117		Tiller	1		IC card, EN1175:2020
2	910200200036	1	Screw	4		
3	532211010000		Tiller	1		
4	532233010019		Wire Harness	1		
4	532233010041		Wire Harness	1		
5	910401300006		Circlip	1		
6	940500200001		Bushing	2		
7	941101100001	1	Screw	2		
8	508011020004		Pin	1		
9	505633510001		Proximity Switch	1		
10	532298510039		Air spring kits	1		
10.1	910401300001		Circlip	1		
10.2	508011020005		Fixing Base	1		
10.3	532211020003		Gas Spring	1		
10.4	941100100011	1	Screw	1		
10.5	508011010002		Pin	1		

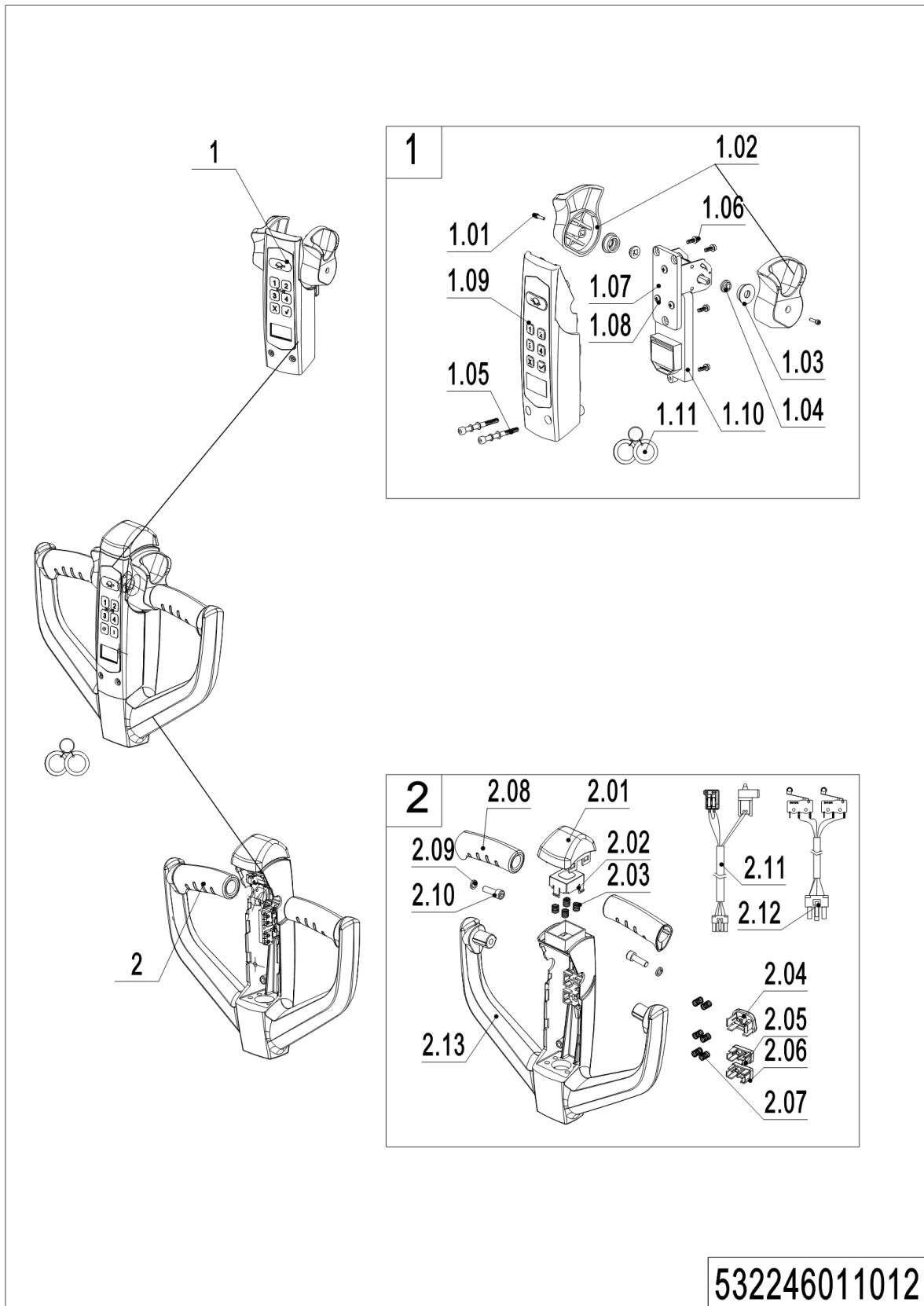
02 Tiller head (532246011002)



02 Tiller head (532246011002)

No.	Item Code	Mark	Item Description	Qty.	Substitute	Note
1	532298510022		Handle Cap Kit	1		
1	532298510023		Handle Cap Kit	1		IC card
1.01	910200200003	1	Screw	2		
1.02	910400500002	1	Spring Washer	2		
1.03	508098520044		Traction lever	1		Left and Right
1.04	910200200159	1	Screw	2		
1.05	508098520027		ID Card	1		With RFID card function
1.06	532298510054		Display Screen kit	1		
1.06	532298510055		Display Screen kit	1		IC card
1.07	508098520015		Bushing	2		
1.08	508098520016		Bushing	2		
1.09	532298510005		Accelerator	1		
1.09	532298510007		Accelerator	1		IC card
2	508098510031		Handle Cap Kit	1		
2.01	508098520018		Cap,Break Switch	1		
2.02	508098520019		Bracket	1		
2.03	502311020018		Spring	4		
2.04	508098520012		Handle Cap	1		
2.05	508098510029		Microswitch Kits	1		
2.06	508098510030		Microswitch Kits	1		
2.07	508098520013		Handle	2		
2.08	910200200058	1	Screw	2		
2.09	910400500006	1	Spring Washer	2		
2.10	502311020022		Spring	6		
2.11	508098520031		Button	1		
2.12	508098520030		Button	1		
2.13	508098520029		Horn Button	1		

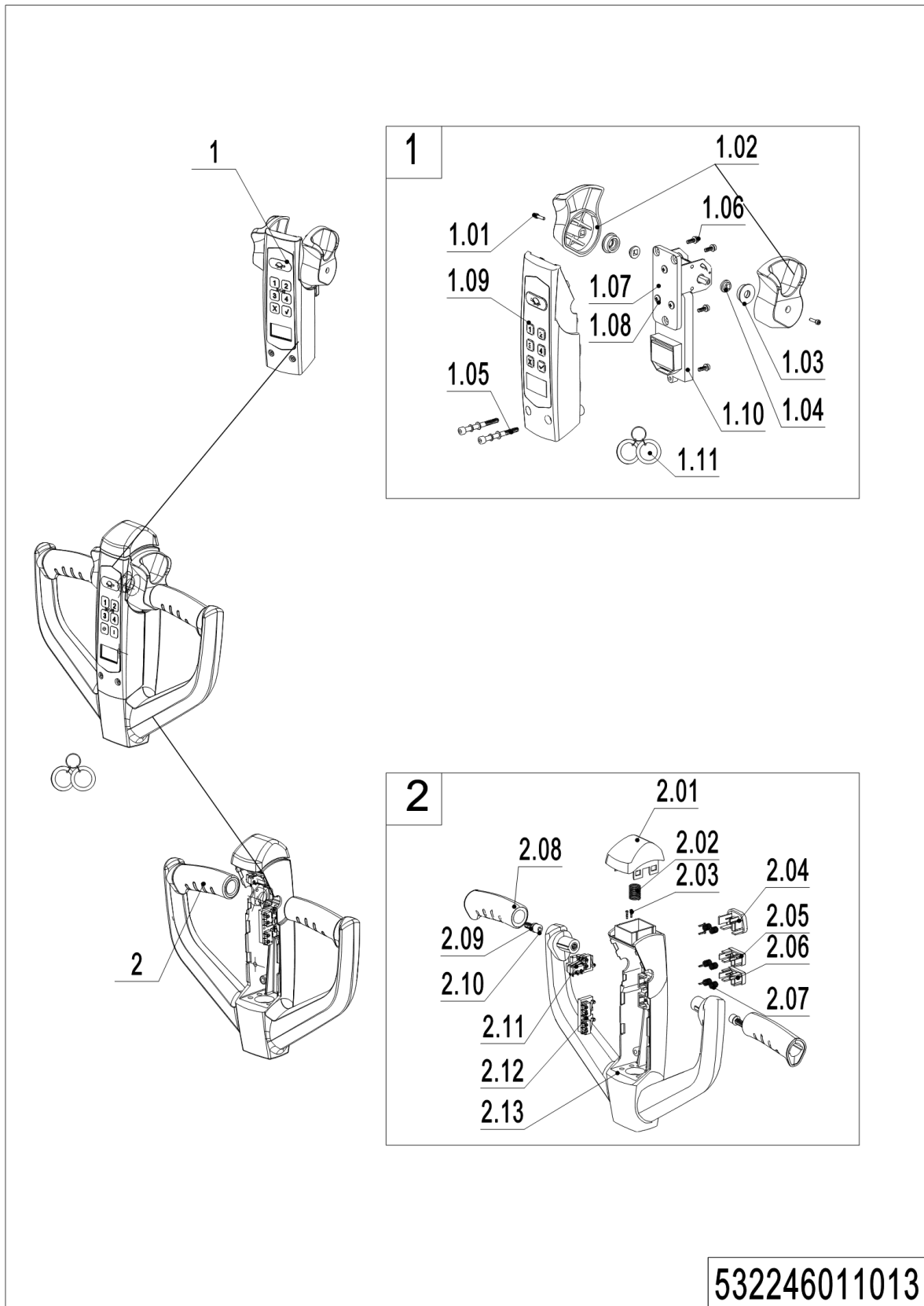
03 Tiller head (DETONG) (EN1175:2020) (532246011012)



03 Tiller head (DETONG) (EN1175:2020) (532246011012)

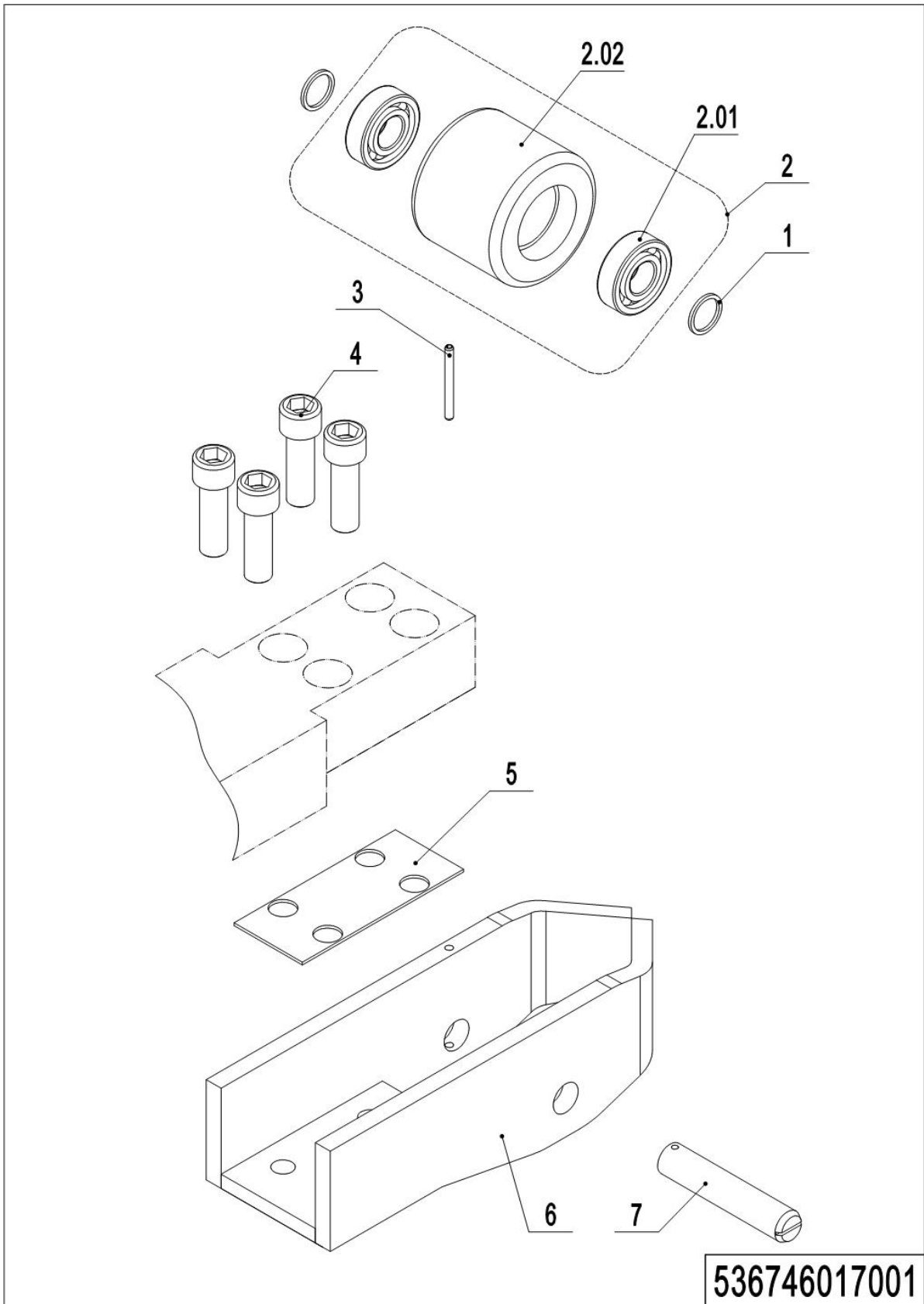
No.	Item Code	Mark	Item Description	Qty.	Substitute	Note
1	532298510084		Handle Cap Kit	1		
1	532298510085		Handle Cap Kit	1		IC card
1.01	508098520086		Screw	1		
1.02	508098520044		Traction lever	1		
1.03	508098520015		Bushing	1		
1.04	508098520016		Bushing	1		
1.05	910200200159		Screw	2		
1.06	910200200013		Screw	4		
1.07	508098520084		Fixed plate	1		
1.08	910200500020		Screw	3		
1.09	532298510086		Handle Cap Kit	1		
1.09	532298510087		Handle Cap Kit	1		IC card
1.10	532298510088		Accelerator	1		
1.10	532298510089		Accelerator	1		IC card
1.11	508098520027		ID card	1		IC card
2	532298510094		Handle Cap Kit	1		
2.01	508098520018		Cap,Break Switch	1		
2.02	508098520019		Bracket	1		
2.03	502311020018		Spring	4		
2.04	508098520083		Horn Button	1		
2.05	508098520030		Button	1		
2.06	508098520031		Button	1		
2.07	502311020022		Spring	6		
2.08	508098520013		Handle	2		
2.09	910400500006		Spring Washer	2		
2.10	508598520100		Screw	2		
2.11	532298510072		Microswitch Kits	1		
2.12	532298510073		Microswitch Kits	1		
2.13	532298510095		Handle Cap	1		

04 Tiller head (SHIJIA) (EN1175:2020) (532246011013)



04 Tiller head (SHIJIA) (EN1175:2020) (532246011013)

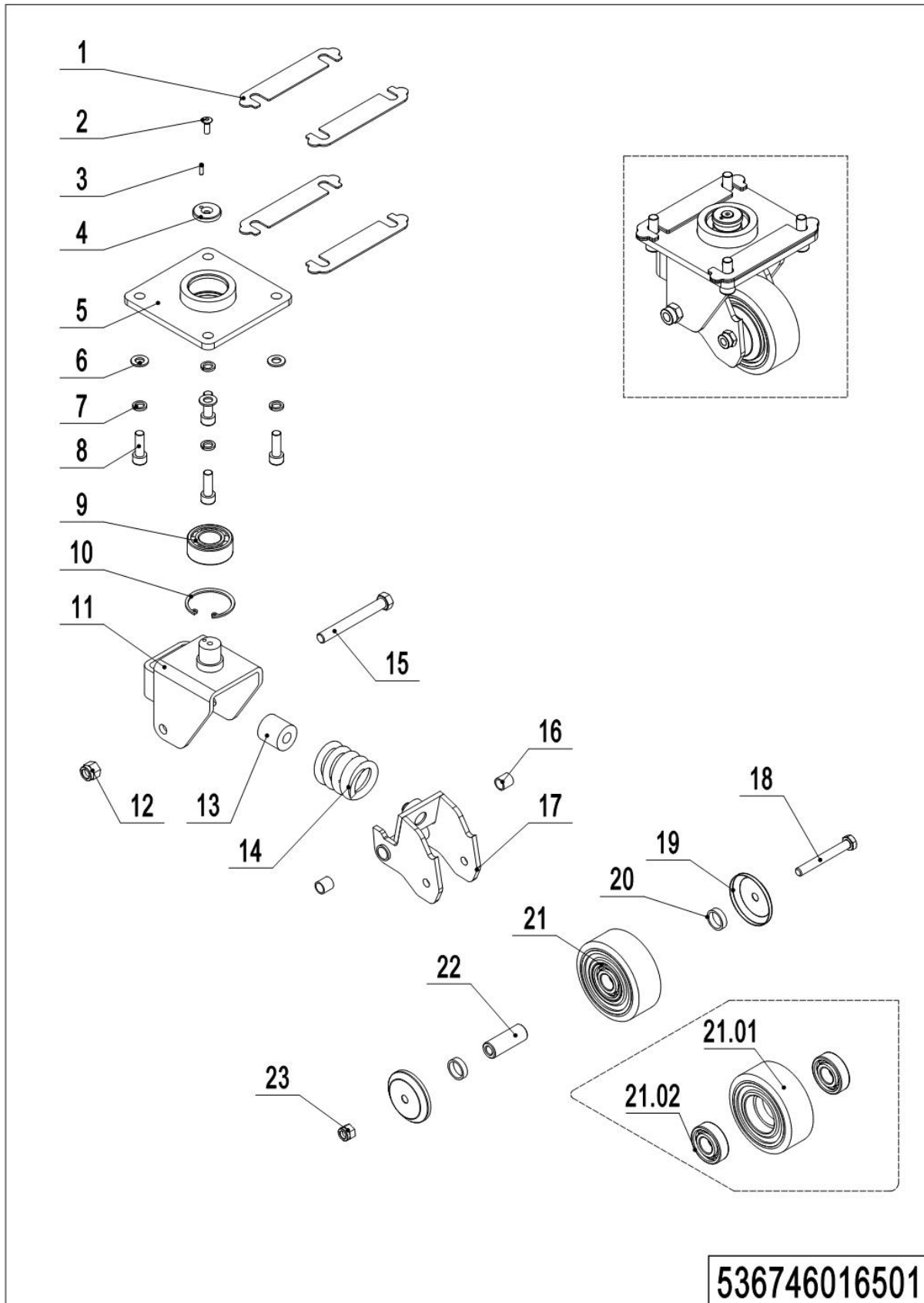
No.	Item Code	Mark	Item Description	Qty.	Substitute	Note
1	532298510090		Handle Cap Kit	1		
1	532298510091		Handle Cap Kit	1		IC card
1.01	508098520086		Screw	1		
1.02	508098520044		Traction lever	1		
1.03	508098520015		Bushing	1		
1.04	508098520016		Bushing	2		
1.05	910200200159		Screw	4		
1.06	910200200013		Screw	1		
1.07	508098520084		Fixed plate	3		
1.08	910200500020		Screw	1		
1.09	532298510086		Handle Cap Kit	1		
1.09	532298510087		Handle Cap Kit	1		IC card
1.10	532298510092		Accelerator	1		
1.10	532298510093		Accelerator	1		IC card
1.11	508098520027		ID card	1		IC card
2	532298510096		Handle Cap Kit	1		
2.01	508098520018		Bracket	1		
2.02	502311020018		Spring	4		
2.03	532298510076		Screw	6		
2.04	508098520083		Horn Button	1		
2.05	508098520030		Button	1		
2.06	508098520031		Button	1		
2.07	502311020022		Spring	6		
2.08	508098520013		Handle	2		
2.09	910400500006		Spring Washer	2		
2.10	508598520100		Screw	2		
2.11	532298510074		Microswitch Kits	1		
2.12	532298510075		Microswitch Kits	1		
2.13	532298510097		Handle Cap	1		

05 Load wheel (536746017001)

05 Load wheel (536746017001)

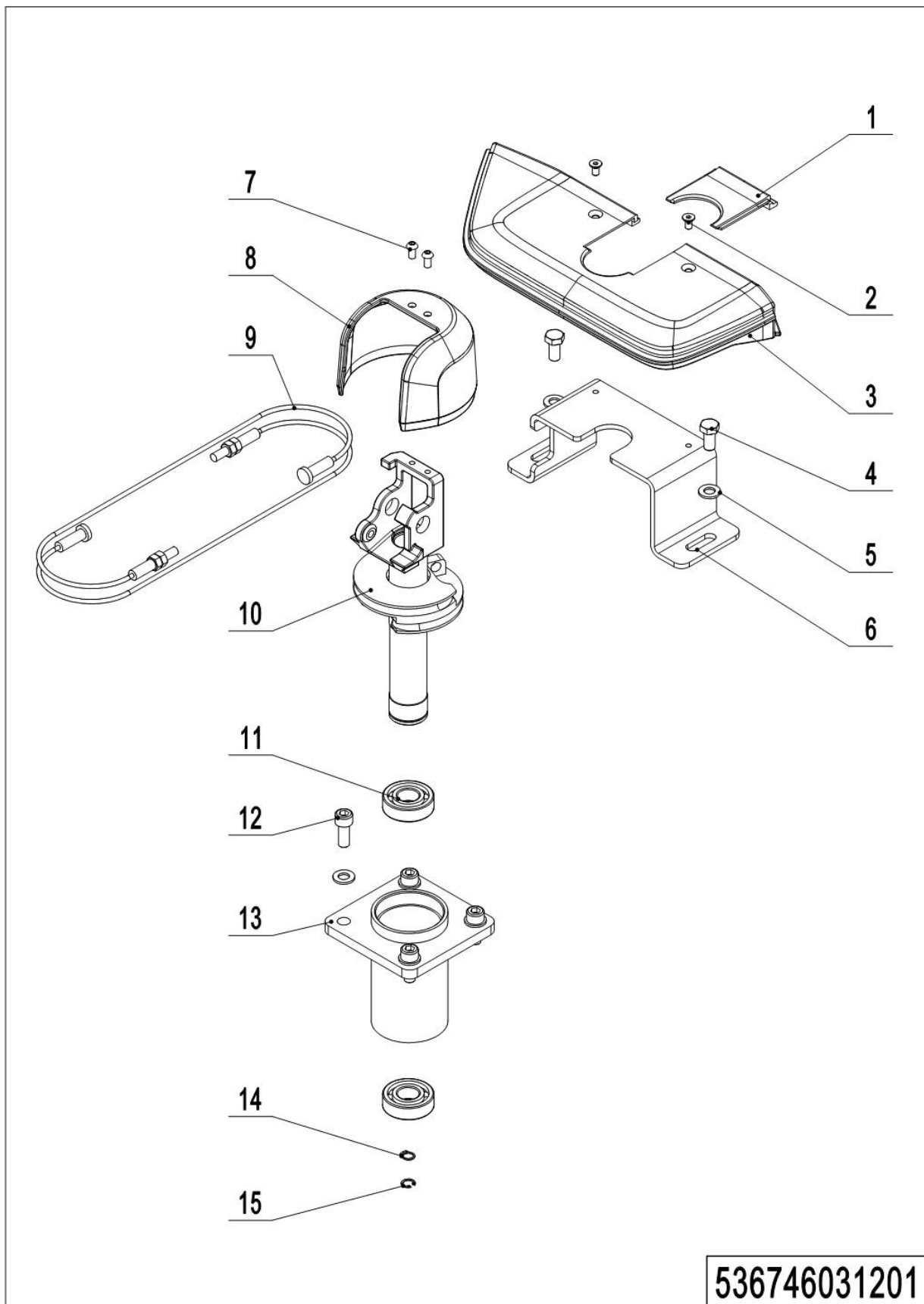
No.	Item Code	Mark	Item Description	Qty.	Substitute	Note
1	940600500053		Washer	4		
2	532998510000		Wheel	2		
2.01	910700200019		Bearing	4		
2.02	940300300009		WheelΦ84x70	2		
3	910600400030	1	Spring Pin	2		
4	910200200123	1	Screw	8		
5	536717020001		Pad	2		
6	536717010001		Wheel Carrier	2		
7	536717020002		Axle	2		

06 Side wheel (536746016501)



06 Side wheel (536746016501)

No.	Item Code	Mark	Item Description	Qty.	Substitute	Note
--	536716510000		Caster Assembly	2		
1	536716520001		Adjustment Pad	8		
2	941100300001	1	Screw	2		
3	910600100004	1	Cylindrical Pin	2		
4	505616520007		Retaining Ring	2		
5	536716510002		Plate	2		
6	910400100007	1	Flat Washer	8		
7	910400500007	1	Spring Washer	8		
8	910200200077	1	Screw	8		
9	910700500002		Bearing	2		
10	910401400016		Circlip	2		
11	505616510001		Wheel Carrier	2		
12	910300500006	1	Nut	2		
13	505616520000		Spring	2		
14	940400500006		Spring	2		
15	941100200002	1	Bolt	2		
16	940500100002		Bushing	4		
17	536716510001		Whirling Arm	2		
18	910100100038	1	Bolt	2		
19	505616520011		Dust Cap	4		
20	505616520012		Check Ring	4		
21	503598510003		Caster Assembly	2		
21.01	940300300018		Wheel Φ 100x40	2		
21.02	910700200019		Bearing	4		
22	505616520013		Bushing	2		
23	910300500005	1	Nut	2		

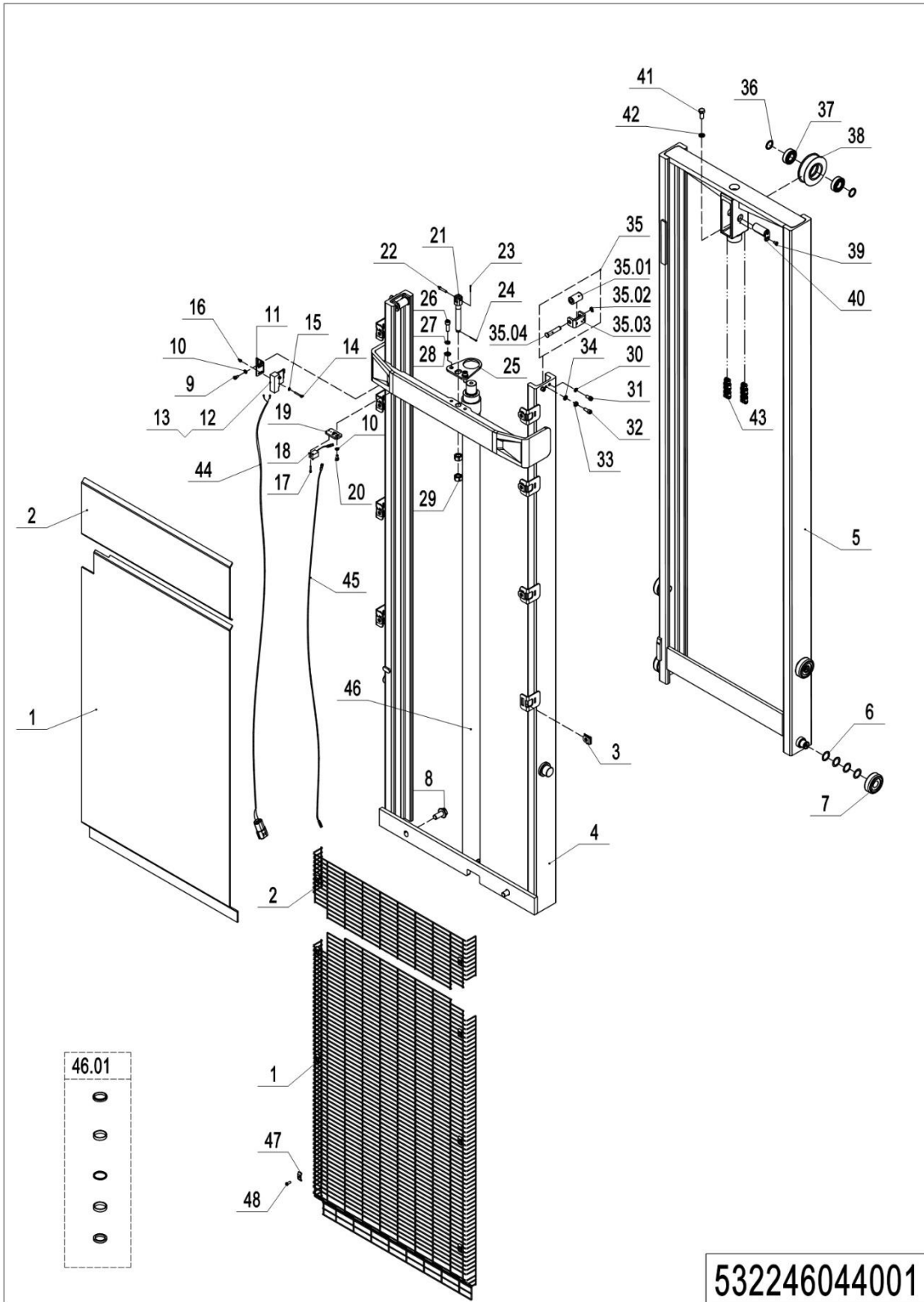
07 Manual steering (536746031201)

07 Manual steering (536746031201)

No.	Item Code	Mark	Item Description	Qty.	Substitute	Note
1	532231220011		Handle Cap	1		
2	910200400016	1	Screw	2		
3	532231220010		Handle Cap	1		
4	910100300035	1	Bolt	2		
5	910400100007	1	Flat Washer	6		
6	532231220008		Pedestal	1		
7	910200300017	1	Screw	2		
8	532211020001		Protective Cover	1		
9	536731210004		Wirerope	2		
10	536731210002		handle Spindle	1		
11	910700200007		Bearing	2		
12	910200200076	1	Screw	4		
13	536731210003		Bracket	1		
14	910401300018	1	Circlip	1		
15	910401400018	1	Circlip	1		

Chapter 5: Mast system

01 Two stage mast (532246044001)



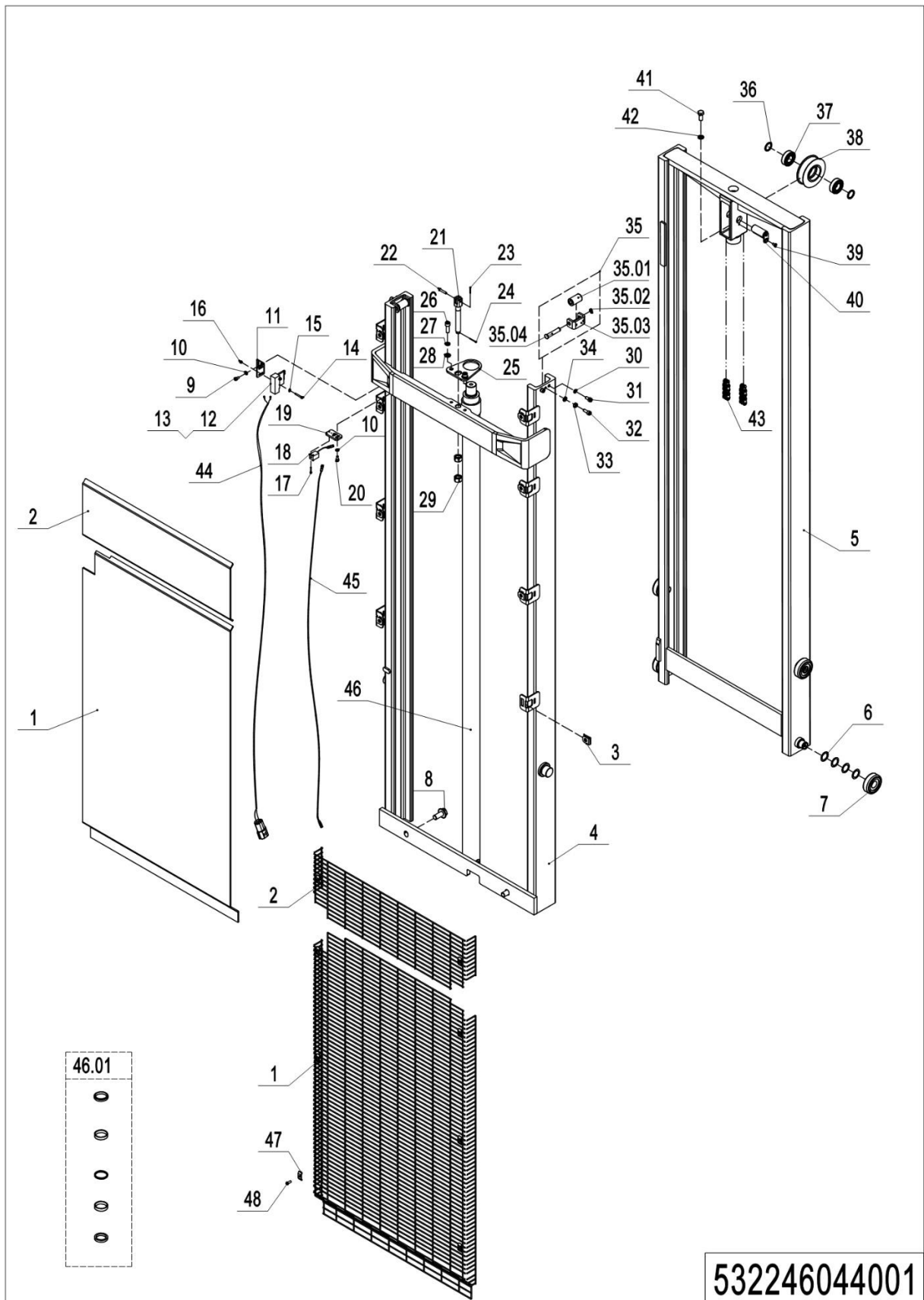
532246044001

1=Supply as package; 2=Supply with limit; 3=Phasing out supply; 4=Supply as assembly; 5=Check other lists.

01 Two stage mast (532246044001)

No.	Item Code	Mark	Item Description	Qty.	Substitute	Note
1	532244020038		Guard Plate	1		2600
1	532244020034		Guard Plate	1		2900
1	532244020033		Guard Plate	1		3200
1	532244020031		Guard Plate	1		3600
1	532251520004		Protective Frame	1		2600
1	532251520003		Protective Frame	1		2900
1	532251520002		Protective Frame	1		3200
1	532251520001		Protective Frame	1		3600
2	532244020030		Guard Plate	1		
2	532251520005		Protective Frame	1		
3	940400300001		Spring Buckle	8		Guard Plate
3	940400300001		Spring Buckle	6		Guard Plate, 2600
3	940400400001		Spring Buckle	8		Protective Frame
3	940400400001		Spring Buckle	6		Protective Frame, 2600
4	532244010017	2	Outer Mast(2600)	1		2600
4	532244010002	2	Outer Mast(2900)	1		2900
4	532244010012	2	Outer Mast(3200)	1		3200
4	532244010005	2	Outer Mast(3600)	1		3600
5	532244010018	2	Inner Mast(2600)	1		2600
5	532244010003	2	Inner Mast(2900)	1		2900
5	532244010013	2	Inner Mast(3200)	1		3200
5	532244010006	2	Inner Mast(3600)	1		3600
6	940600500016		Washer	16		
7	940200100038		Main Roller	4		
8	910100800005		Bolt	2		
9	910200200032	1	Screw	2		
10	910400100005	1	Flat Washer	4		
11	532244020012		Mounting Plate	1		
12	920200300003		Microswitch	1		

01 Two stage mast (532246044001) continuation



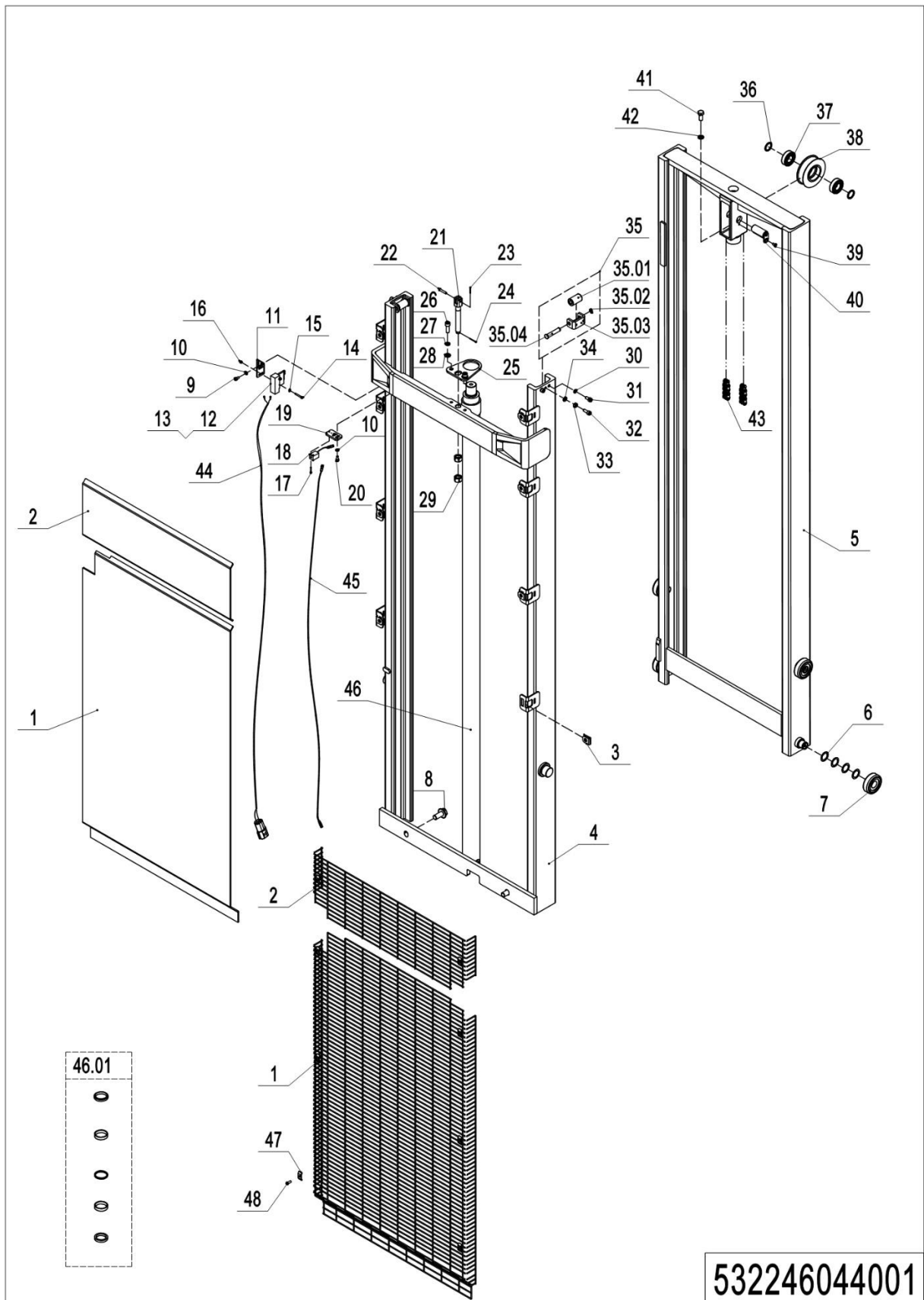
532246044001

1=Supply as package; 2=Supply with limit; 3=Phasing out supply; 4=Supply as assembly; 5=Check other lists.

01 Two stage mast (532246044001) continuation

No.	Item Code	Mark	Item Description	Qty.	Substitute	Note
13	920200300007		Protective Cover	1		
14	910200500028	1	Screw	2		
15	910400100003	1	Flat Washer	2		
16	910300500001	1	Nut	2		
17	910200500015	1	Screw	2		
18	920200400030		Proximity Switch	1		
19	532244020029		Mounting Plate	1		
20	910200200033	1	Screw	2		
21	206044520060		Chain Anchor	1		
22	941100800010	1	Pin	1		
23	910600600006	1	Cotter Pin	1		
24	910600600019	1	Cotter Pin	1		
25	532244020027		Fixing Plate	1		
26	910200200077	1	Screw	2		
27	910400500007	1	Spring Washer	2		
28	910400100007	1	Flat Washer	2		
29	910300200008		Nut	2		
30	910400500006	1	Spring Washer	4		
31	910200200055	1	Screw	4		
32	910200200057	1	Screw	2		
33	910300100006	1	Nut	2		
34	910400100006	1	Flat Washer	2		
35	400244010002		Roller	2		
35.01	401744020000		Roller	2		
35.02	910401300003	1	Circlip	2		
35.03	532021520075		Wheel Mount	2		
35.04	401744020001		Pin	2		
36	940600500006		Washer	2		
37	910700200020		Bearing	2		

01 Two stage mast (532246044001) continuation



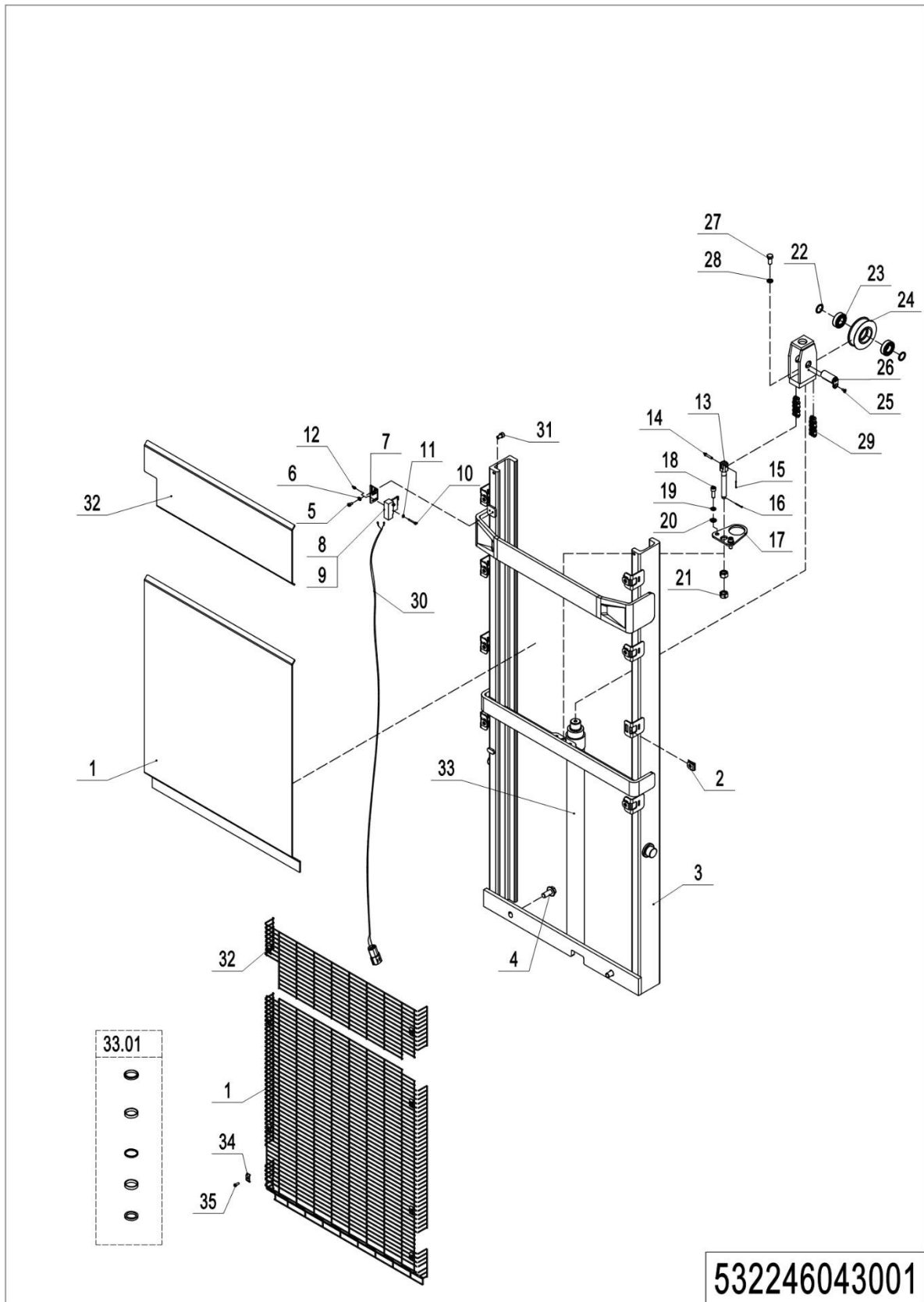
532246044001

1=Supply as package; 2=Supply with limit; 3=Phasing out supply; 4=Supply as assembly; 5=Check other lists.

01 Two stage mast (532246044001) continuation

No.	Item Code	Mark	Item Description	Qty.	Substitute	Note
38	940200400002		Sprocket	1		
39	910200400016	1	Screw	1		
40	533243510005		Pin	1		
41	910100300049	1	Bolt	1		
42	910400500008	1	Spring Washer	1		
43	532244010020		Chain	1		2600
43	532244010007		Chain	1		2900
43	532244010014		Chain	1		3200
43	206044510103		Chain	1		3600
44	532233010034		Wire Harness	1		
45	921500100077		Cable	1		
46	532244010016		Cylinder	1		2600
46	532244010001		Cylinder	1		2900
46	532244010009		Cylinder	1		3200
46	532244010004		Cylinder	1		3600
46.01	532298510002		Seal Kit	1		
47	320443020321		Press Plate	8		Protective Frame
47	320443020321		Press Plate	6		Protective Frame, 2600
48	910200300018		Screw	8		Protective Frame
48	910200300018		Screw	6		Protective Frame, 2600

02 Single mast (532246043001)



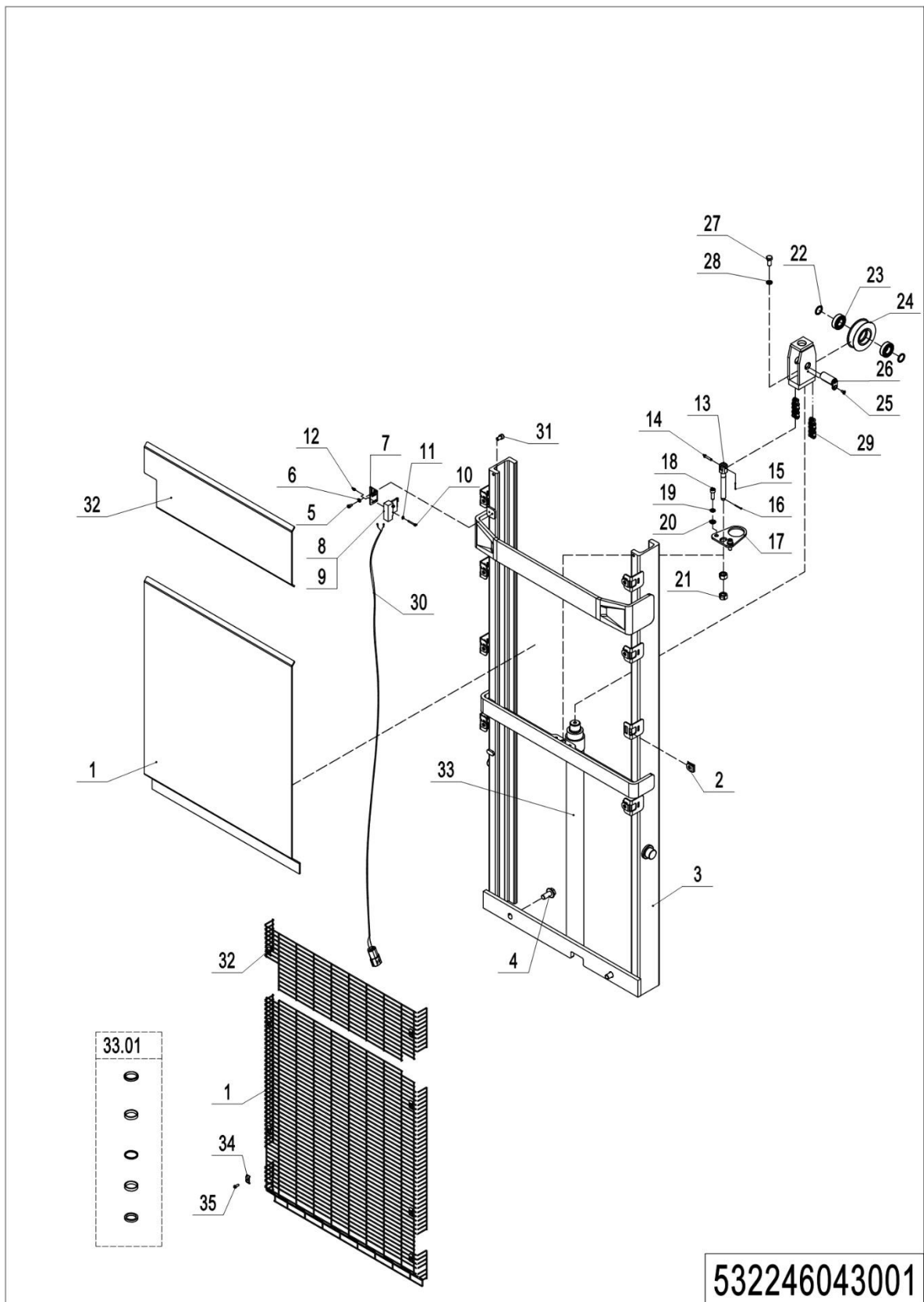
532246043001

1=Supply as package; 2=Supply with limit; 3=Phasing out supply; 4=Supply as assembly; 5=Check other lists.

02 Single mast (532246043001)

No.	Item Code	Mark	Item Description	Qty.	Substitute	Note
1	532243020008		Guard Plate	1		1600
1	532243020011		Guard Plate	1		2000
1	532251520006		Protective Frame	1		1600
1	532251520007		Protective Frame	1		2000
2	940400300001		Spring Buckle	8		Guard Plate
2	940400400001		Spring Buckle	8		Protective Frame
3	532243010003	2	Outer Mast(1600)	1		1600
3	532243010005	2	Outer Mast(2000)	1		2000
4	910100800005		Bolt	2		
5	910200200032	1	Screw	2		
6	910400100005	1	Flat Washer	2		
7	532244020012		Mounting Plate	1		
8	920200300003		Microswitch	1		
9	920200300007		Protective Cover	1		
10	910200500028	1	Screw	2		
11	910400100003	1	Flat Washer	2		
12	910300500001	1	Nut	2		
13	206044520060		Chain Anchor	1		
14	941100800010	1	Pin	1		
15	910600600006	1	Cotter Pin	1		
16	910600600019	1	Cotter Pin	1		
17	532243020022		Fixing Plate	1		
18	910200200077	1	Screw	2		
19	910400500007	1	Spring Washer	2		
20	910400100007	1	Flat Washer	2		
21	910300200008	1	Nut	2		
22	940600500006		Washer	2		
23	910700200020		Bearing	2		
24	940200400002		Sprocket	1		

02 Single mast (532246043001) continuation



532246043001

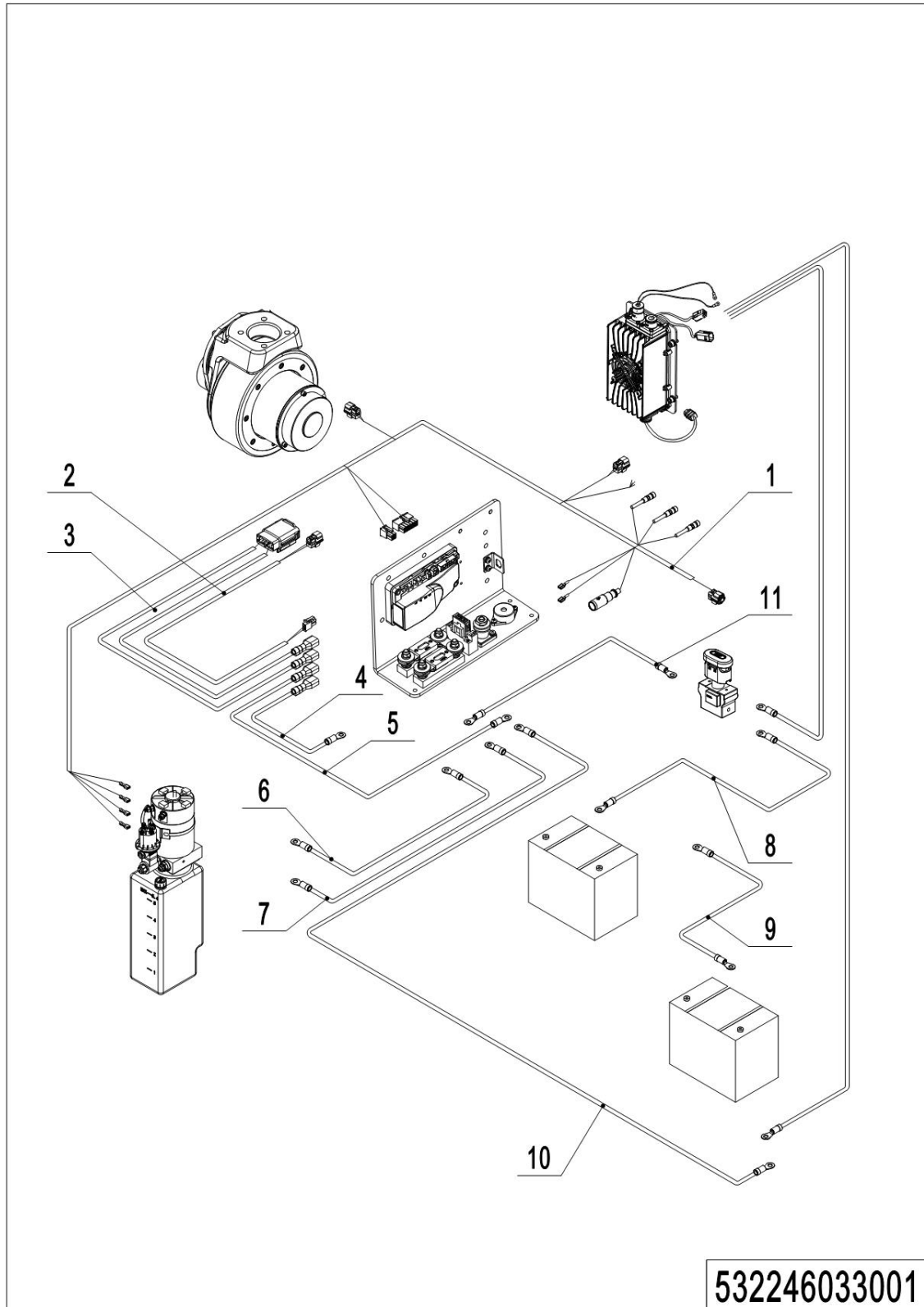
1=Supply as package; 2=Supply with limit; 3=Phasing out supply; 4=Supply as assembly; 5=Check other lists.

02 Single mast (532246043001) continuation

No.	Item Code	Mark	Item Description	Qty.	Substitute	Note
25	910200400016	1	Screw	1		
26	533243510005		Pin	1		
27	910100300049	1	Bolt	1		
28	910400500008	1	Spring Washer	1		
29	532344510009		Chain	1		1600
29	532344510004		Chain	1		2000
30	532233010034		Wire Harness	1		
31	910200200074	1	Screw	2		
32	532243020019		Guard Plate	1		
32	532251520008		Protective Frame	1		
33	532243010001		Cylinder	1		1600
33	532243010004		Cylinder	1		2000
33.01	532298510002		Seal Kit	1		
34	320443020321		Press Plate	8		Protective Frame
35	910200300018		Screw	8		Protective Frame

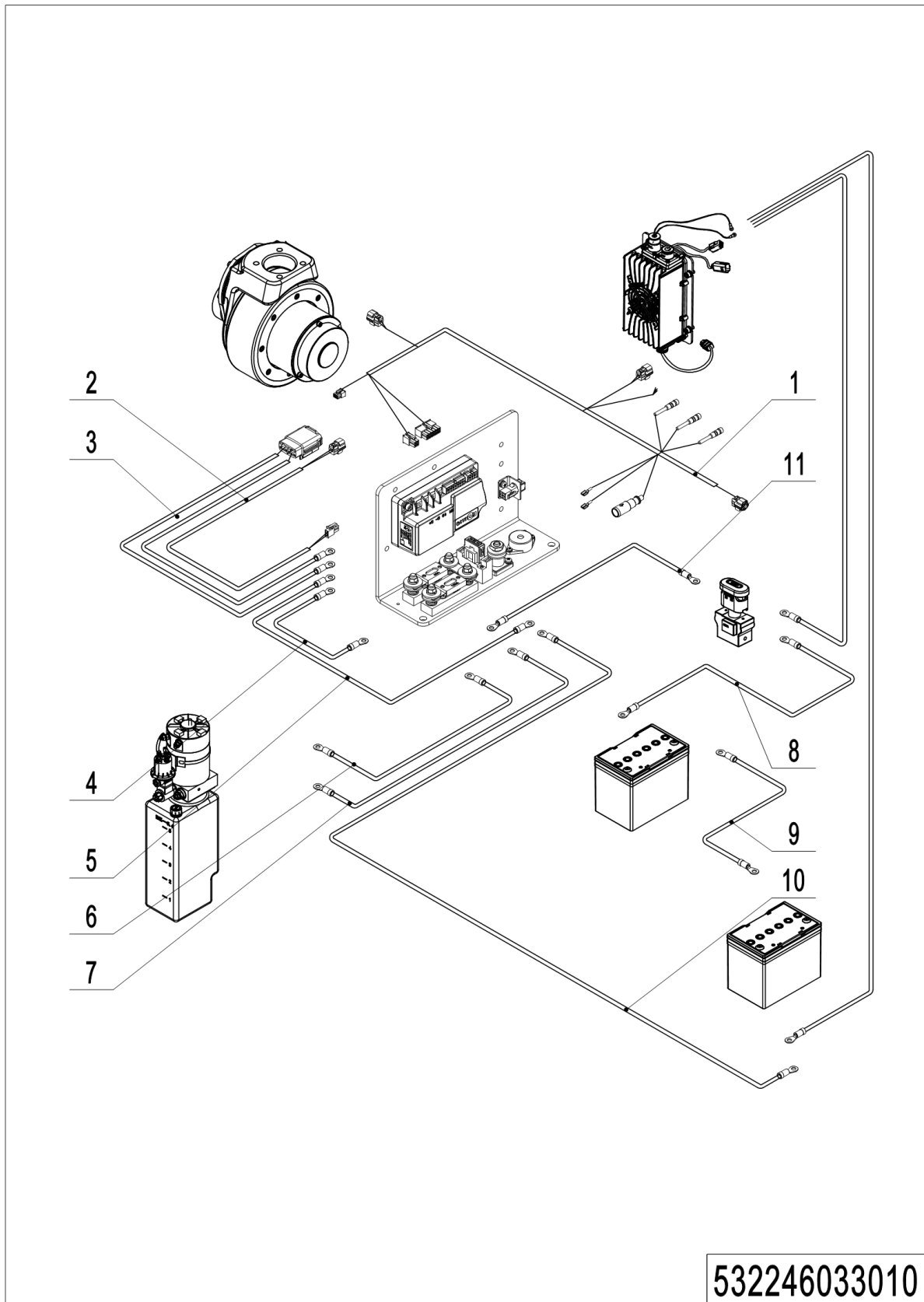
Chapter 6: Electrical parts and wire harness

01 Wire harness (532246033001)



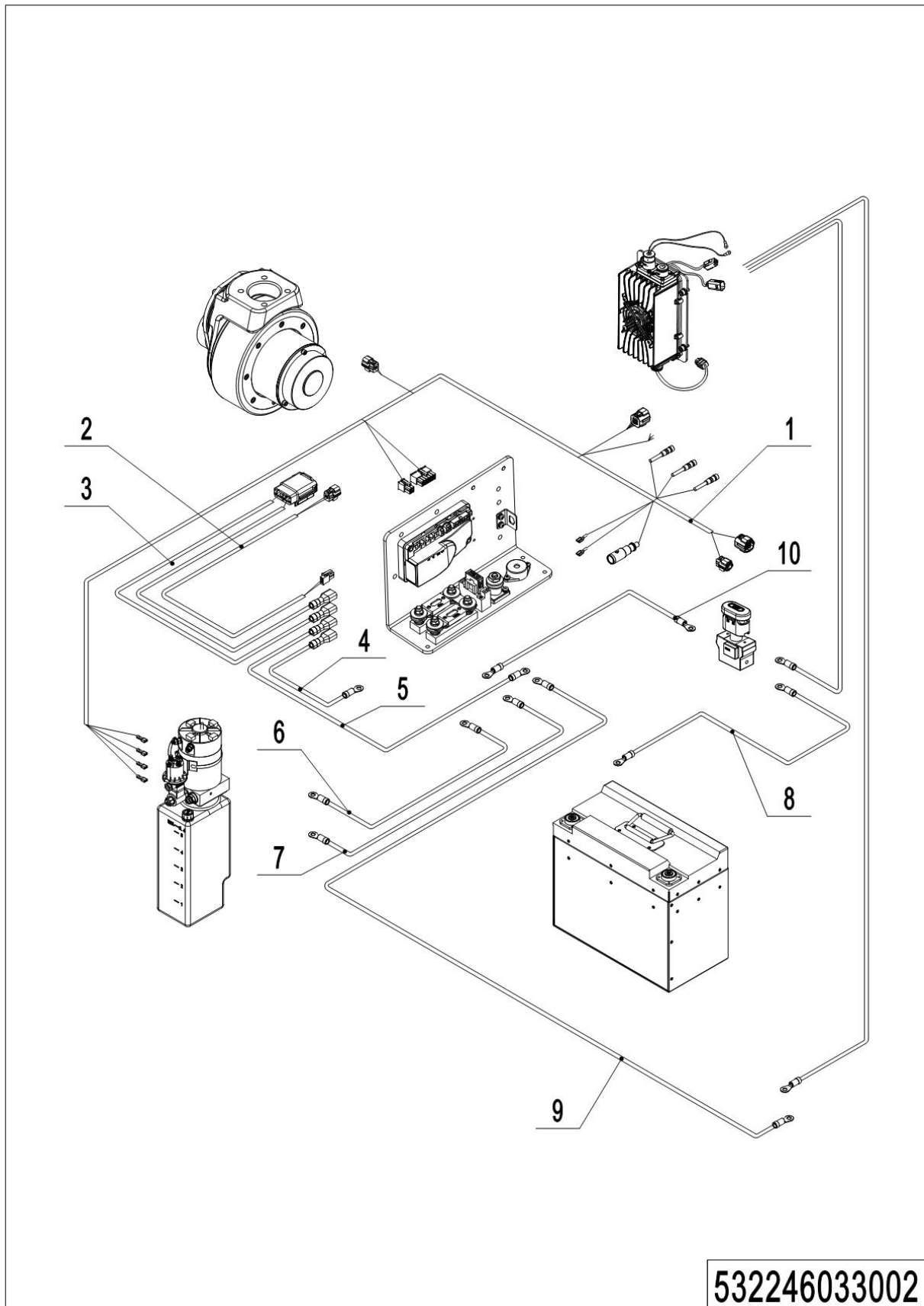
01 Wire harness (532246033001)

No.	Item Code	Mark	Item Description	Qty.	Substitute	Note
1	532233010000		Wire Harness	1		
2	532233010003		Wire Harness	1		
3	532233010004		Wire Harness	1		
4	532233010005		Cables	1		
5	532233010006		Cables	1		
6	532233010007		Cable	1		
7	532233010009		Cable	1		
8	532233010010		Cable	1		85AH
8	532233010013		Cable	1		106AH
9	532233010011		Cable	1		85AH
9	532233010014		Cable	1		106AH
10	532233010012		Cable	1		85AH
10	532233010015		Cable	1		106AH
11	532233010016		Cable	1		

02 Wire harness (EN1175:2020) (532246033010)

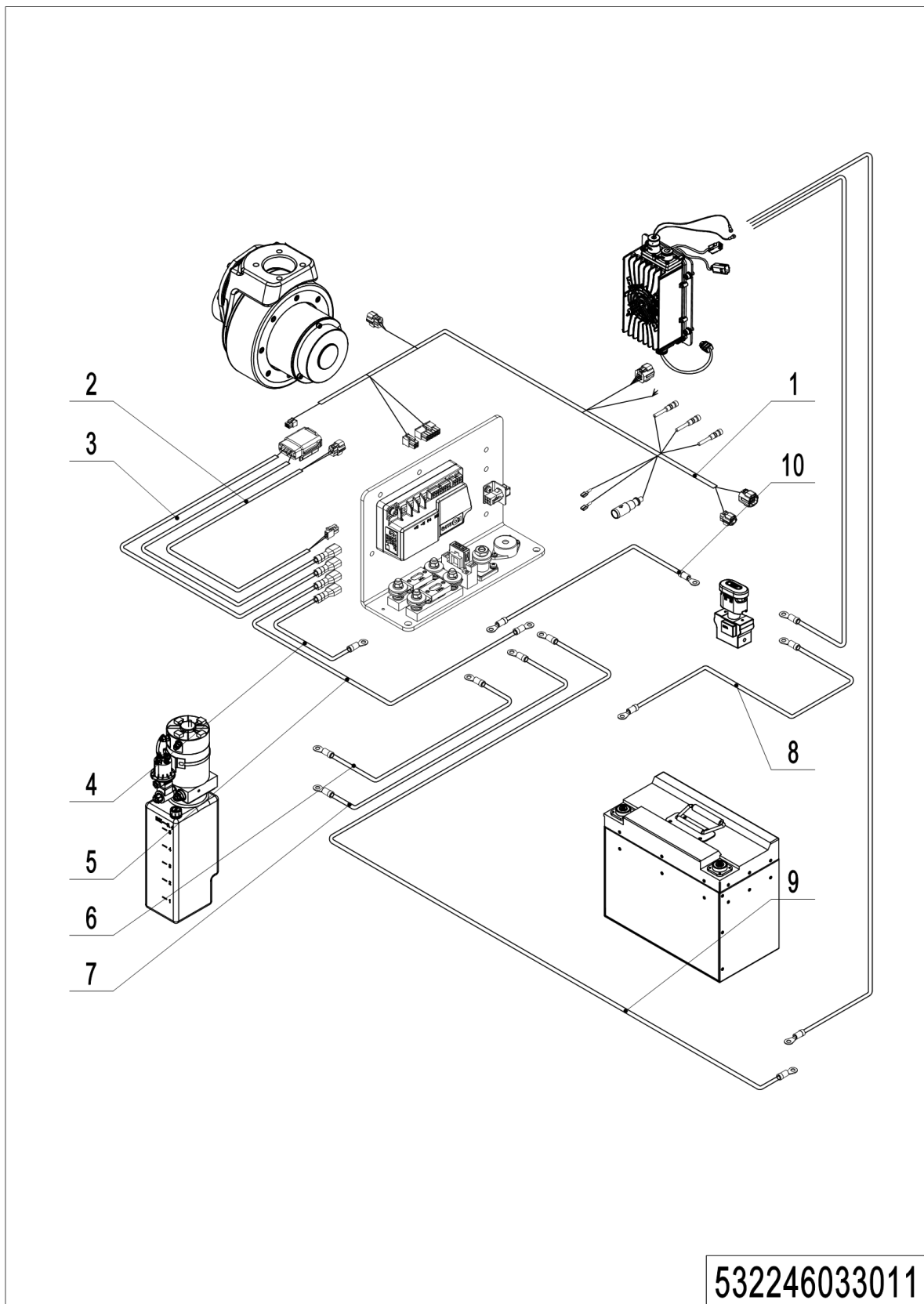
02 Wire harness (EN1175:2020) (532246033010)

No.	Item Code	Mark	Item Description	Qty.	Substitute	Note
1	532233010032		Wire Harness	1		
2	532233010035		Wire Harness	1		
3	532233010036		Wire Harness	1		
4	532233010037		Cables	1		
5	532233010038		Cables	1		
6	532233010007		Cable	1		
7	532233010009		Cable	1		
8	532233010010		Cable	1		85AH
8	532233010013		Cable	1		106AH
9	532233010011		Cable	1		85AH
9	532233010014		Cable	1		106AH
10	532233010012		Cable	1		85AH
10	532233010015		Cable	1		106AH
11	532233010016		Cable	1		

03 Wire harness (lithium battery) (532246033002)

03 Wire harness (lithium battery) (532246033002)

No.	Item Code	Mark	Item Description	Qty.	Substitute	Note
1	532233010001		Wire Harness	1		
2	532233010003		Wire Harness	1		
3	532233010004		Wire Harness	1		
4	532233010005		Cables	1		
5	532233010006		Cables	1		
6	532233010007		Cable	1		
7	532233010009		Cable	1		
8	532233010020		Cable	1		
9	532233010021		Cable	1		
10	532233010016		Cable	1		

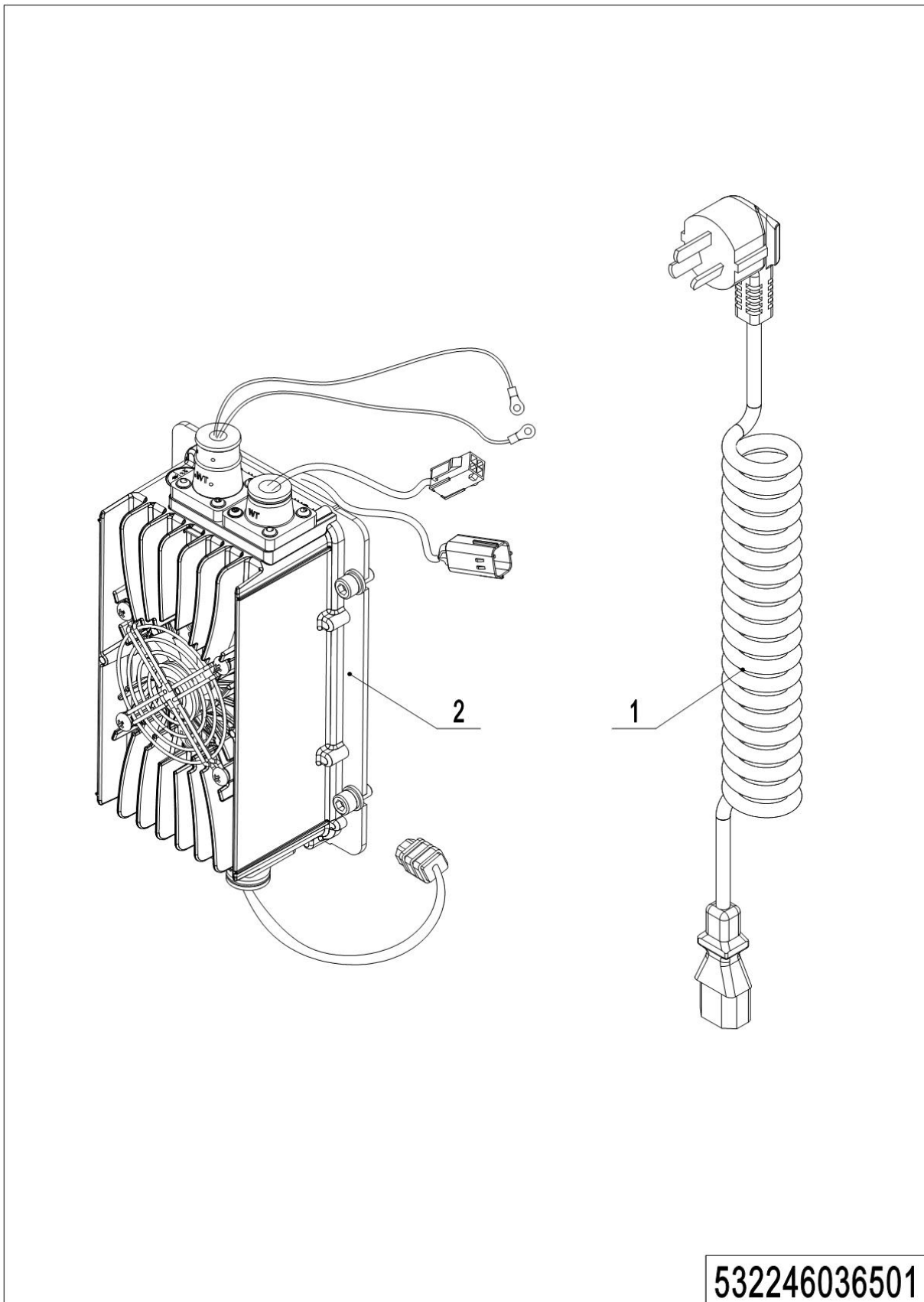
04 Wire harness (lithium battery, EN1175:2020) (532246033011)

04 Wire harness (lithium battery, EN1175:2020) (532246033011)

No.	Item Code	Mark	Item Description	Qty.	Substitute	Note
1	532233010042		Wire Harness	1		
2	532233010035		Wire Harness	1		
3	532233010036		Wire Harness	1		
4	532233010037		Cables	1		
5	532233010038		Cables	1		
6	532233010007		Cable	1		
7	532233010009		Cable	1		
8	532233010020		Cable	1		
9	532233010021		Cable	1		
10	532233010016		Cable	1		

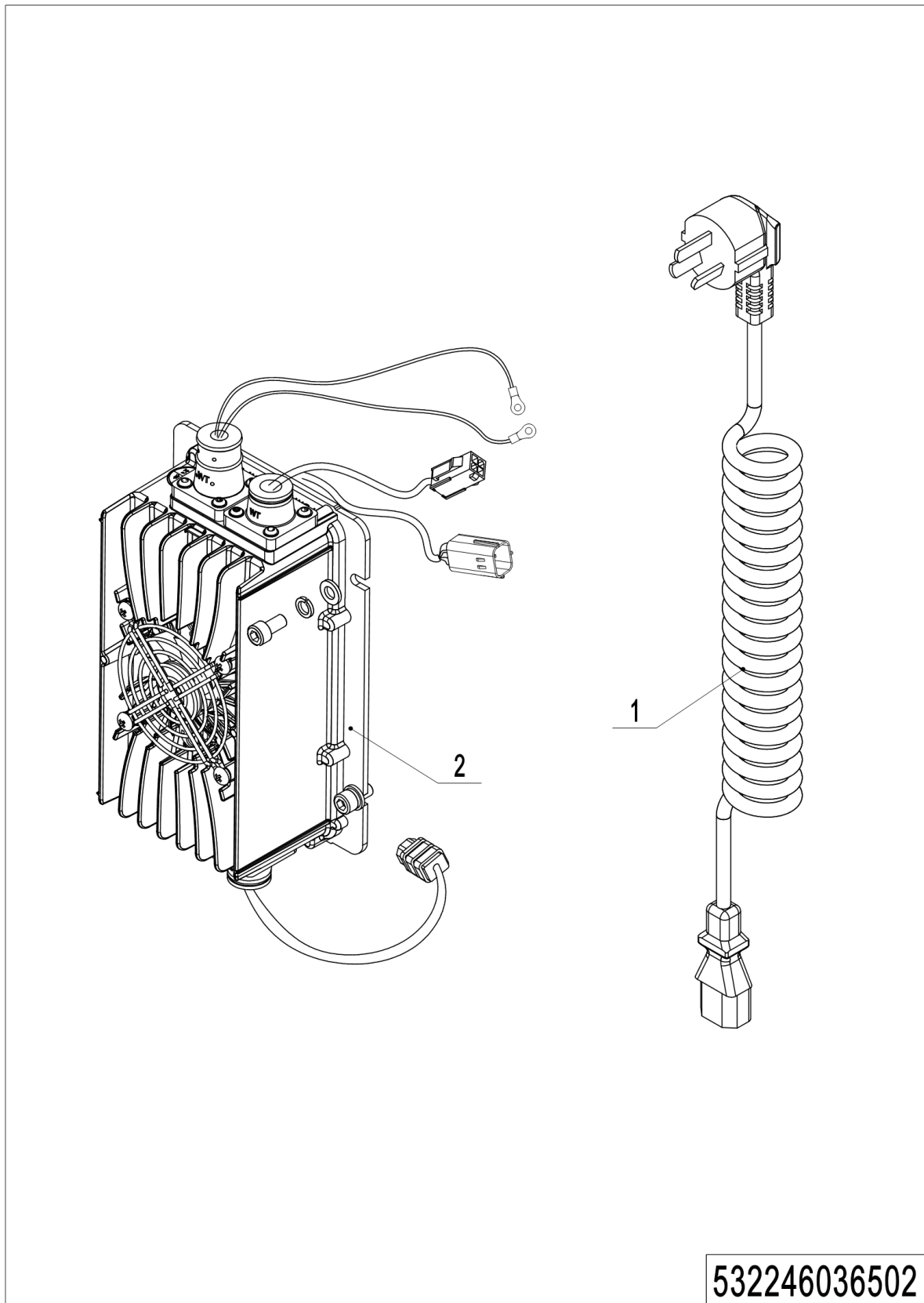
05 Electrical control unit (536746033003)

No.	Item Code	Mark	Item Description	Qty.	Substitute	Note
1	532233020001		Mounting Plate	1		
2	920100200002		Fuse	1		
3	920500100007		Horn	1		
4	920100400001		Fuse Holder	1		
5	920100400006		Fuse Holder	1		
6	505633020003		Copper Busbar	1		
7	920100100007		Fuse	1		
8	920100400002		Fuse Holder	2		
9	920100100003		Fuse	1		
10	921400100081		Controller	1		
10	921400100174		Controller	1		EN1175:2020
11	536712520008		Baffle	1		lead-acid battery
11	536712520009		Baffle	1		Lithium battery

06 Charger (lead-acid battery) (532246036501)

06 Charger (lead-acid battery) (532246036501)

No.	Item Code	Mark	Item Description	Qty.	Substitute	Note
1	921500200008		Spring Cable (Asia)	1		
1	921500200005		Spring Cable(EU)	1		EN1175:2020
1	921500200003		Spring Cable(AUS)	1		
1	921500200004		Spring Cable(ENG)	1		EN1175:2020
1	921500200002		Spring Cable(USA)	1		
1	921500200037		Spring Cable(ARG)	1		
1	921500200006		Spring Cable(ITY)	1		EN1175:2020
1	921500200007		Spring Cable(SWD)	1		EN1175:2020
1	921500200029		Spring Cable(ISR)	1		
1	921500200061		Spring Cable(BRA)	1		
1	921500200065		Spring Cable(ZA)	1		
1	921500200067		Spring Cable(JP)	1		
1	921500200066		Spring Cable(IND)	1		
1	921500200068		Spring Cable(Peru)	1		
2	921000100051		Charger24V12V	1		

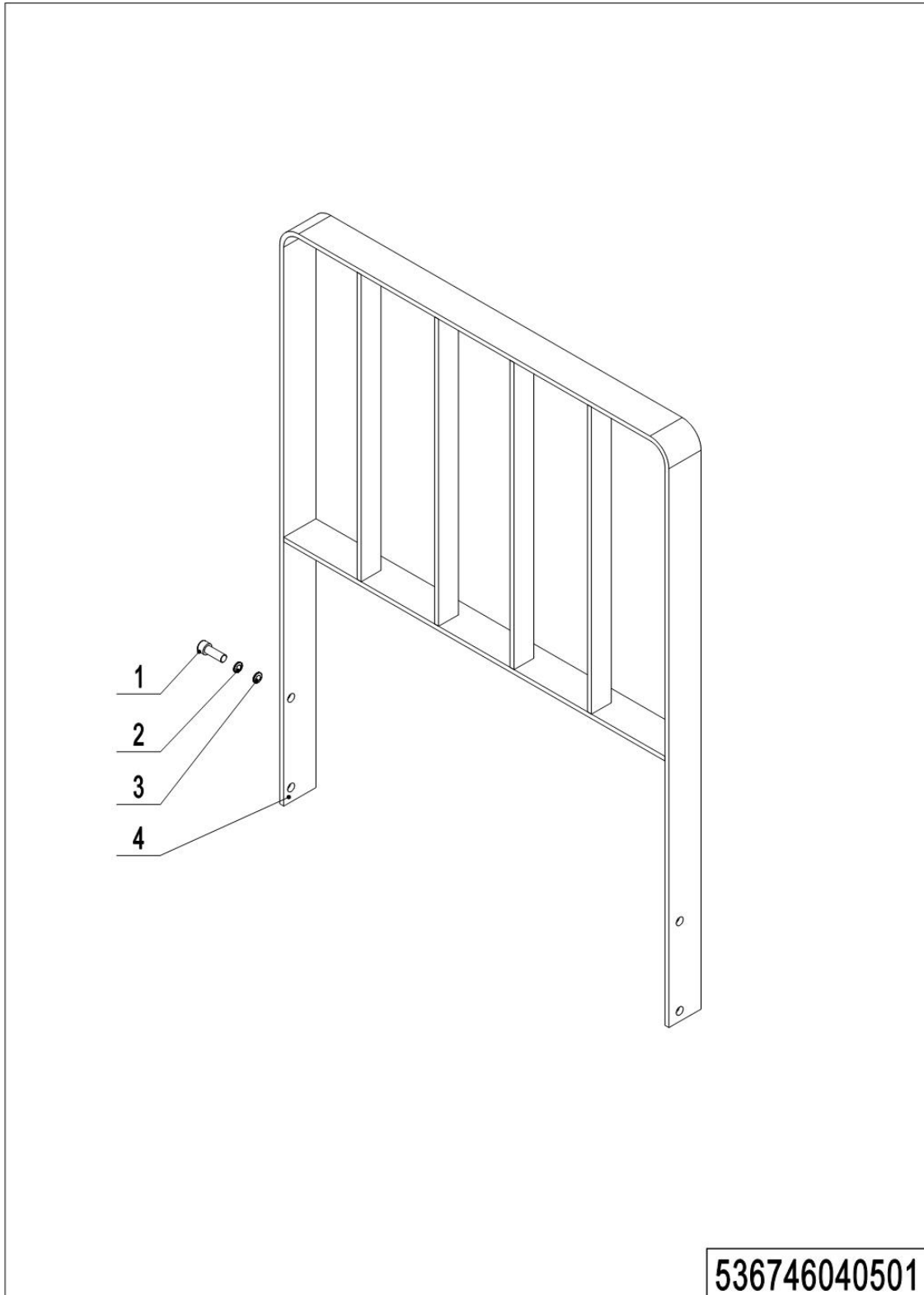
07 Charger (lithium battery) (532246036502)

07 Charger (lithium battery) (532246036502)

No.	Item Code	Mark	Item Description	Qty.	Substitute	Note
1	921500200008		Spring Cable (Asia)	1		
1	921500200005		Spring Cable(EU)	1		EN1175:2020
1	921500200003		Spring Cable(AUS)	1		
1	921500200004		Spring Cable(ENG)	1		EN1175:2020
1	921500200002		Spring Cable(USA)	1		
1	921500200037		Spring Cable(ARG)	1		
1	921500200006		Spring Cable(ITY)	1		EN1175:2020
1	921500200007		Spring Cable(SWD)	1		EN1175:2020
1	921500200029		Spring Cable(ISR)	1		
1	921500200061		Spring Cable(BRA)	1		
1	921500200065		Spring Cable(ZA)	1		
1	921500200067		Spring Cable(JP)	1		
1	921500200066		Spring Cable(IND)	1		
1	921500200068		Spring Cable(Peru)	1		
2	921000100052		Charger 24V25A	1		

Chapter 7: Special equipment

01 Load backrest (536746040501)

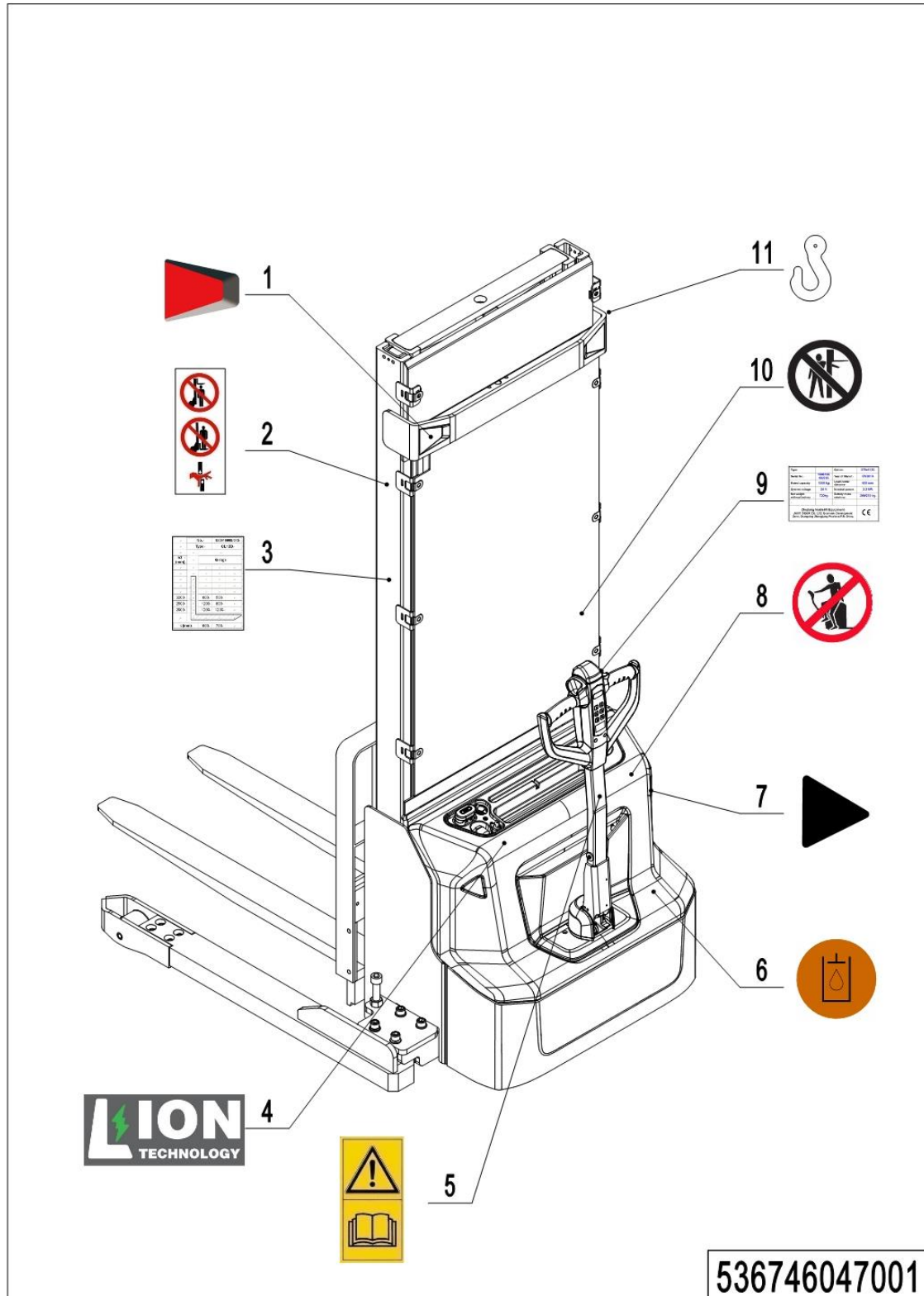


01 Load backrest (536746040501)

No.	Item Code	Mark	Item Description	Qty.	Substitute	Note
1	910200200075	1	Screw	4		
2	910400500007	1	Spring Washer	4		
3	910400100007	1	Flat Washer	4		
4	532340510003		Load Backrest	1		

Chapter 8: Others

01 Labels and decals (EU) (536746047001)



01 Labels and decals (EU) (536746047001)

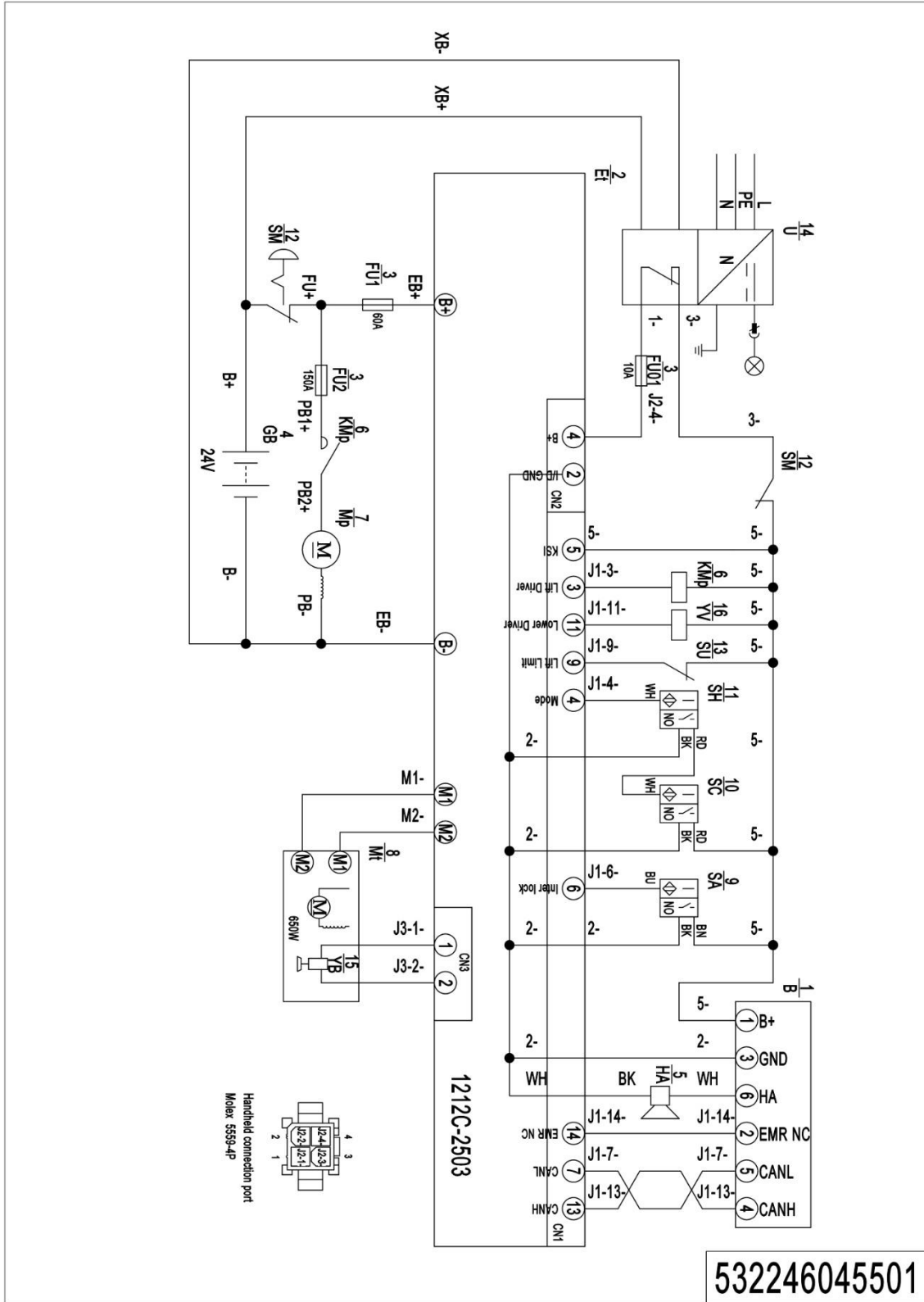
No.	Item Code	Mark	Item Description	Qty.	Substitute	Note
1	532247020007		Warning decal	1		
2	941200100004		Label	2		
3	536747520001		Load Capacity Diagram	1		
4	532247020002		Label	1		For lithium battery
5	941200300002		Label	1		
6	941200300003		Label	1		Internal
7	532247020000		Label	2		
8	941200100003		Label	1		
9	536747520017		Label (ID plate with CE mark)	1		
10	941200100006		Label	1		
11	941200300001		Label	2		

02 Labels and decals (USA) (536746047002)

No.	Item Code	Mark	Item Description	Qty.	Substitute	Note
1	532247020007		Warning decal	1		
2	941200100016		Label	2		
3	536747520001		Load Capacity Diagram	1		
4	941200100010		Label	1		
5	532247020002		Label	1		For lithium battery
6	941200100009		Label	1		
7	941200300002		Label	1		
8	941200100013		Label	1		
9	941200300003		Label	1		Internal
10	532247020000		Label	2		
11	941200100011		Label	1		
12	536747520017		Label (ID plate with CE mark)	1		
13	941200100014		Label	1		
14	941200300001		Label	2		

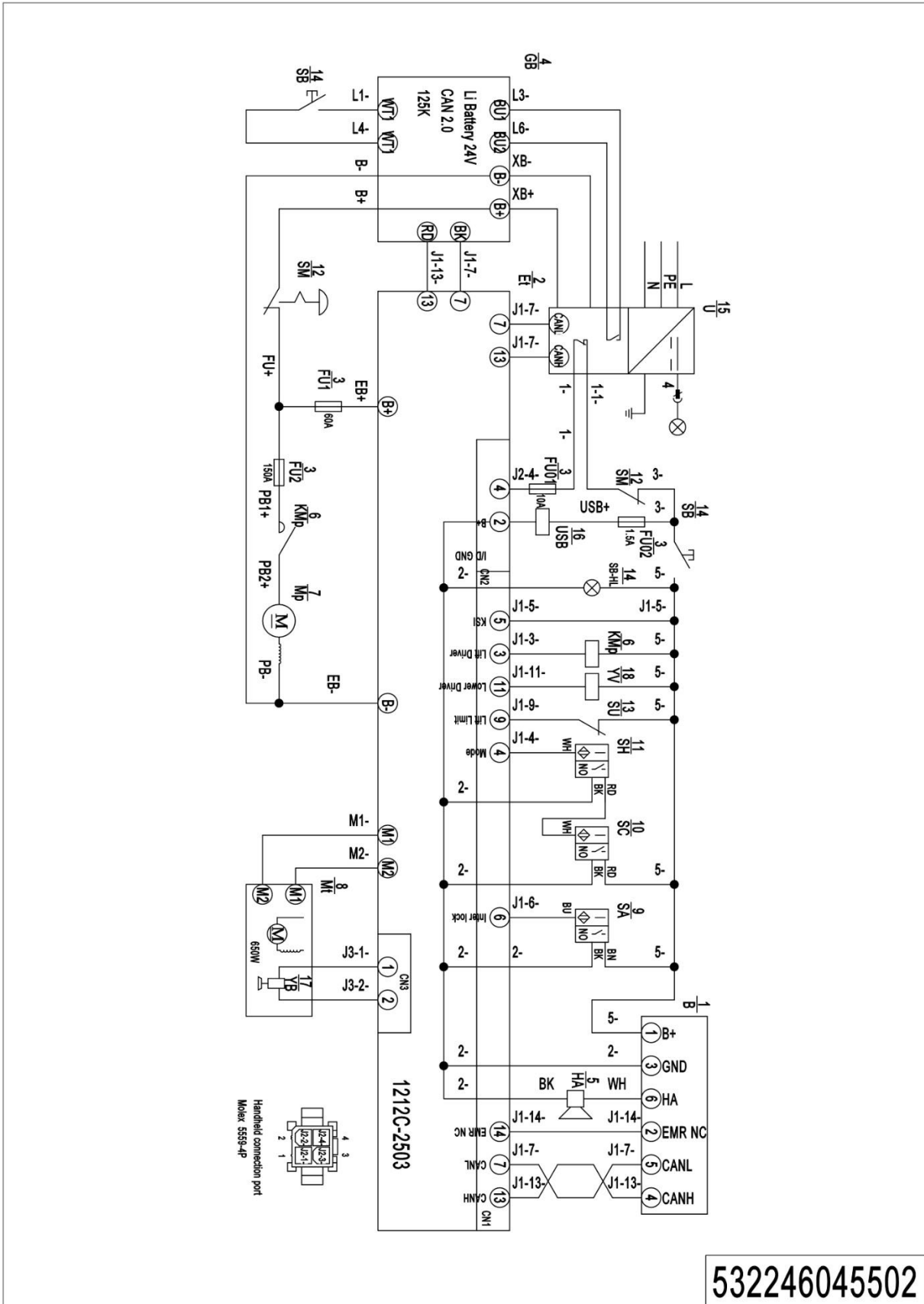
Appendix

01 Electrical circuit diagram (lead-acid battery) (532246045501)



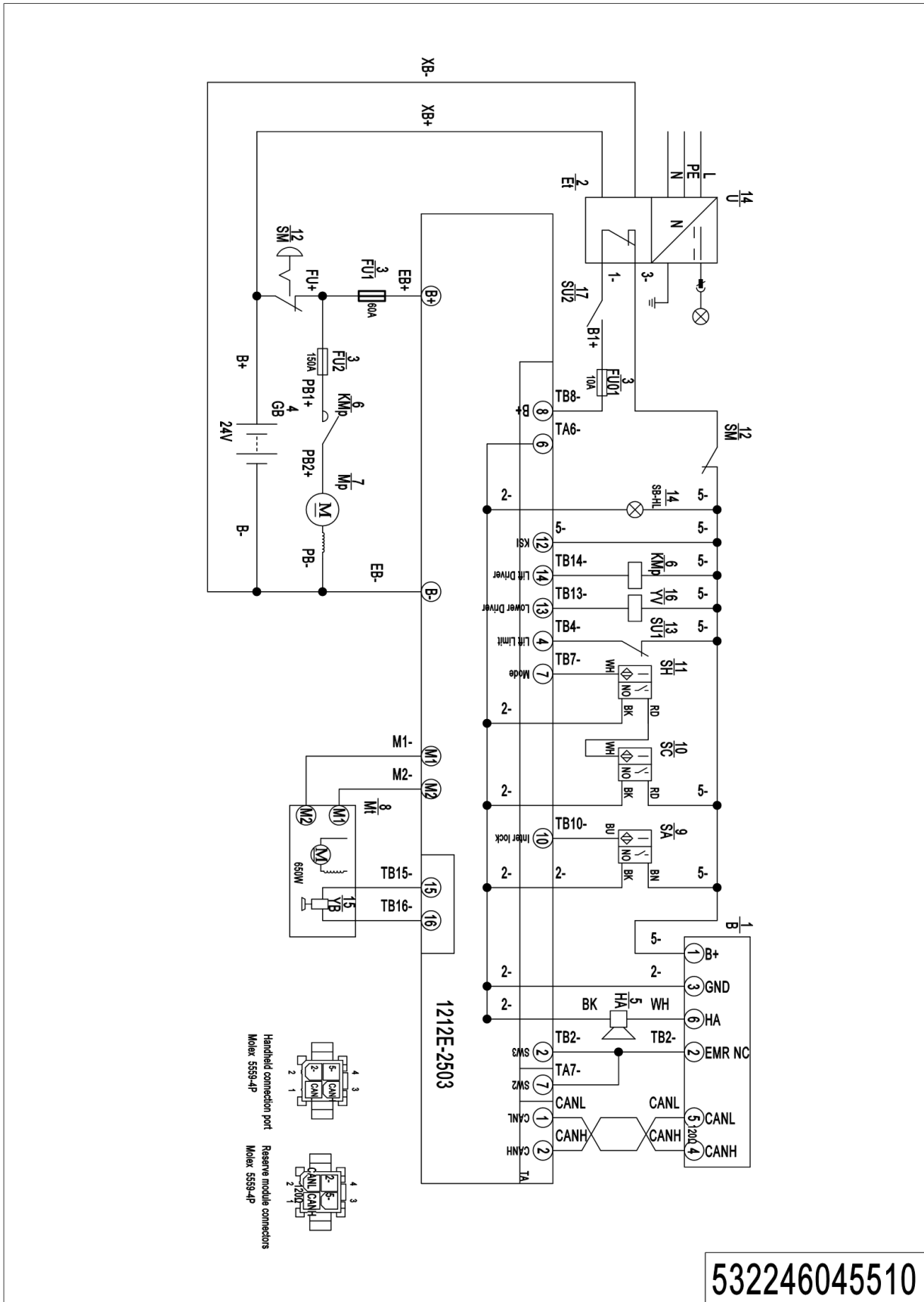
1=Supply as package; 2=Supply with limit; 3=Phasing out supply; 4=Supply as assembly; 5=Check other lists.

02 Electrical circuit diagram (Lithium battery) (532246045502)



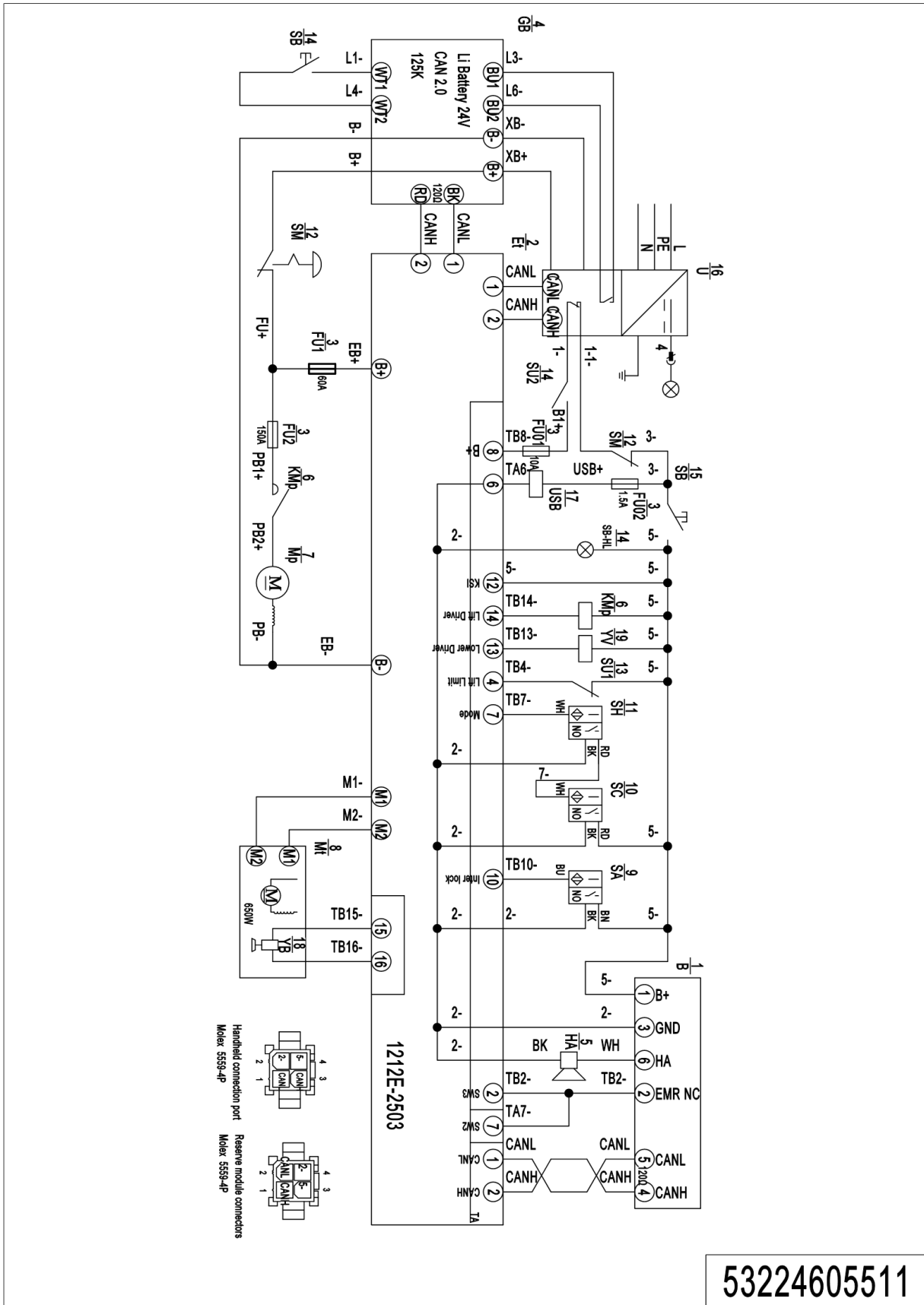
1=Supply as package; 2=Supply with limit; 3=Phasing out supply; 4=Supply as assembly; 5=Check other lists.

03 Electrical circuit diagram (lead-acid battery, EN1175:2020) (532246045510)



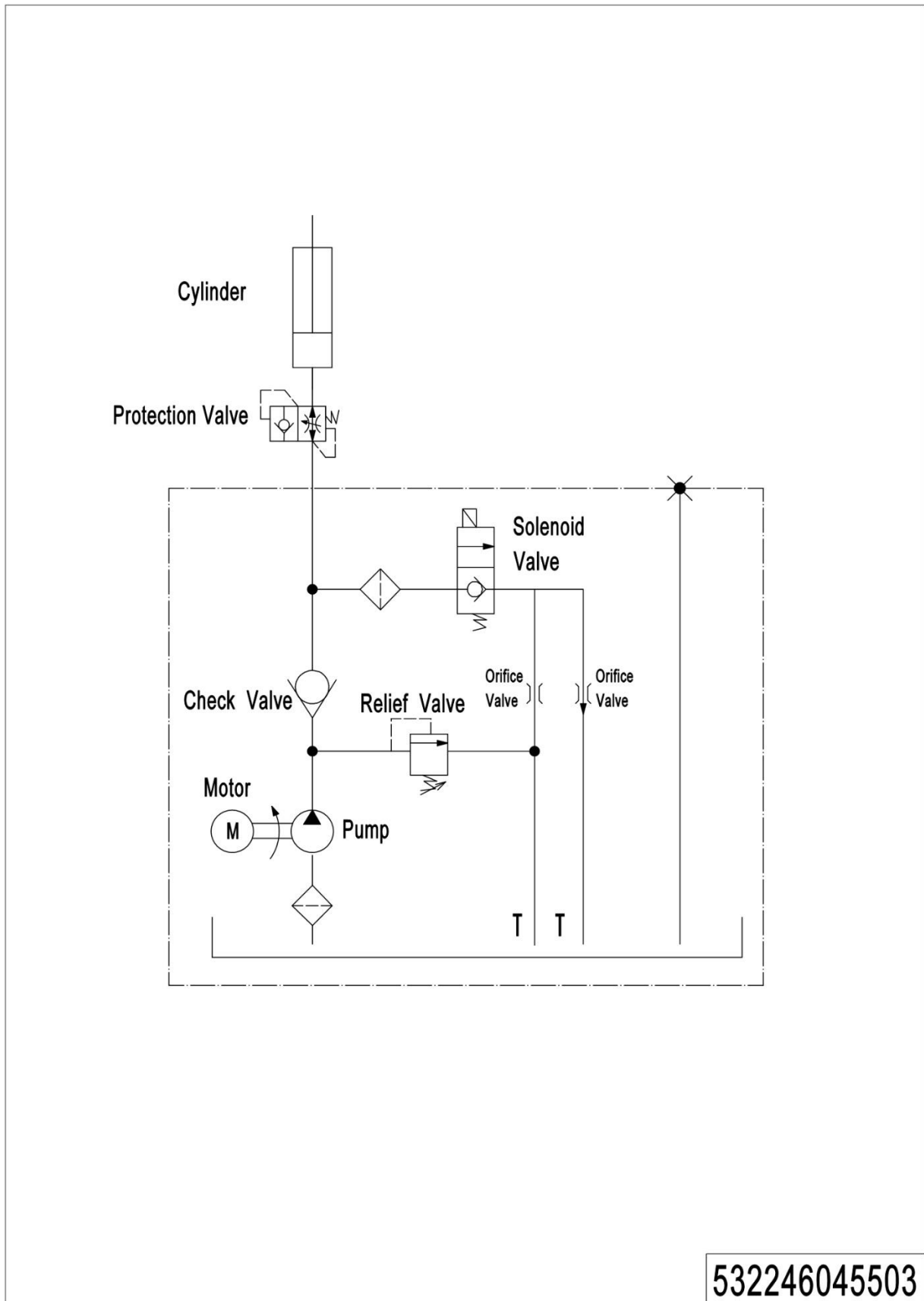
1=Supply as package; 2=Supply with limit; 3=Phasing out supply; 4=Supply as assembly; 5=Check other lists.

04 Electrical circuit diagram (Lithium battery, EN1175:2020) (532246045511)



1=Supply as package; 2=Supply with limit; 3=Phasing out supply; 4=Supply as assembly; 5=Check other lists.

05 Hydraulic circuit diagram (532246045503)



532246045503

06 Easy worn parts list

No.	Item Code	Item Description	Qty.	Chapter/ Section/ Number
1	910700200019	Bearing	4	Chapter 4/05/2.01 Chapter 4/06/21.02
2	940300300009	WheelΦ84x70	2	Chapter 4/05/2
3	532998510000	Wheel	2	Chapter 4/05/3
4	532298510002	Seal Kit	1	Chapter 5/01/46.01 Chapter 5/02/33.01
5	940300300018	WheelΦ100x40	2	Chapter 4/06/5
6	503598510003	Caster Assembly	2	Chapter 4/06/6
7	532211020003	Gas Spring	1	Chapter 4/01/7
8	940500200001	Bushing	2	Chapter 4/01/8
9	910700200020	Bearing	2	Chapter 5/01/37 Chapter 5/02/23
10	920100100003	Fuse	1	Chapter 6/05/9
11	920100100007	Fuse	1	Chapter 6/05/11
12	920100200002	Fuse	1	Chapter 6/05/12