

NOBLELIFT

РУКОВОДСТВО ПО ЭКСПЛУАТАЦИИ РУЧНАЯ ГИДРАВЛИЧЕСКАЯ ТЕЛЕЖКА

MEGA/GIGA/DELTA; AC20/25/30; ACE/ACL;
AC-LOW; ACR; AC-TWO; ACZ; ACS



ПРЕДУПРЕЖДЕНИЕ

Не использовать гидравлическую тележку без изучения данного Руководства по эксплуатации.

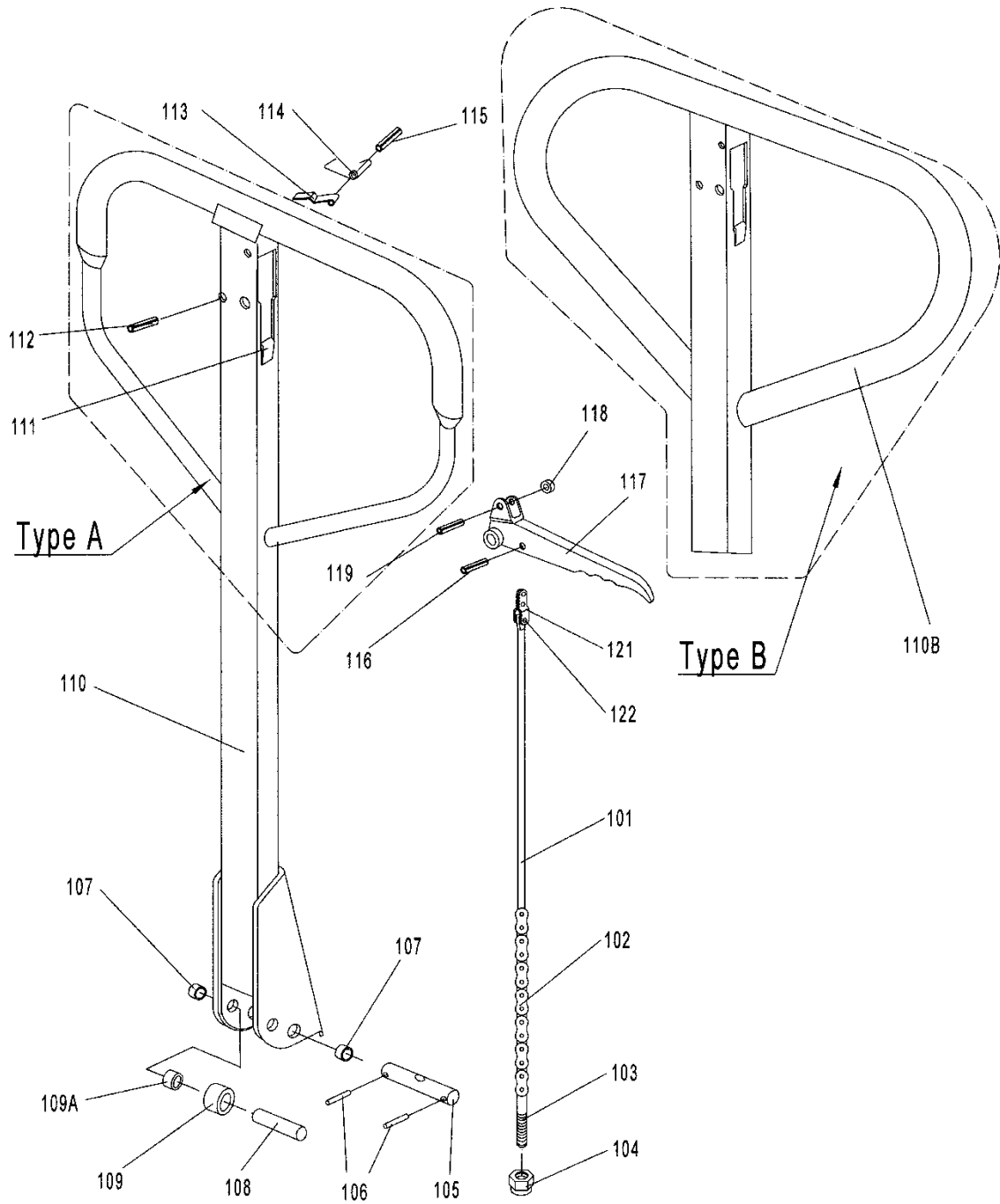
ПРИМЕЧАНИЕ:



Проверить соответствие данного оборудования типу, указанному на идентификационной табличке

Version 03/2012
AC-SMS-003-RU

11. Каталог запасных частей



LIST of DRAW-BAR

No.	Description	Qty.	Remark
101	Release Rod	1	
102	Chain	1	
103	Adjusting Bolt	1	
104	Adjusting Nut	1	
105A	Axle with Hole	1	
106	Elastic Pin	2	
107	Bushing	2	
108	Roller Pin	1	
109	Pressure Roller	1	
109A	Bushing	1	
110	Draw-bar	1	For Type A
110B	Draw-bar	1	For Type B
111	Stop Rubber	1	
112	Elastic Pin	1	
113	Blade Spring	1	
114	Spring	1	
115	Elastic Pin	1	
116	Elastic Pin	1	
117	Control Handle	1	
118	Roller	1	
119	Elastic Pin	1	
120			
121	Pull Board	1	
122	Pin	1	

LIST OF FORK FRAME

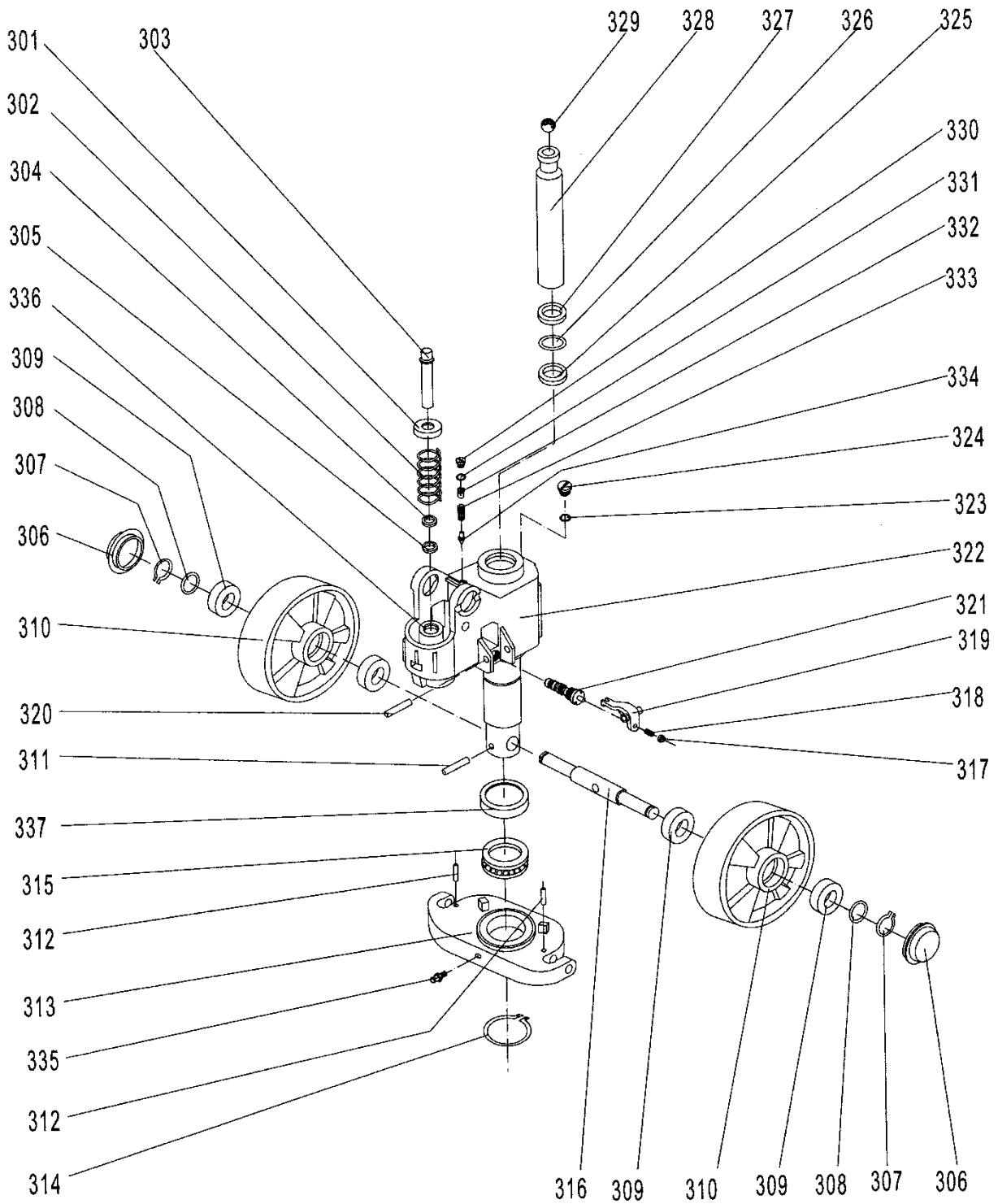
No.	Description	Qty.	Remark
201	Fork Frame	1	
202	Elastic Pin	1	For Type A
202G	Bolt	1	For Type G
203	Rock - Arm	1	
204	Bushing	2	
205	Shaft	2	
206	Bushing	4	
207	Bushing	2	
208	Retaining Ring	2	
210	Pin	2	
209	Joint	2	For Type C
211	Nut	2	
212	Pushing Rod	2	
B209	Joint	2	
B211	Nut	2	For Type B
B212	Pushing Rod	2	
213	Retaining Ring	2	
214	Shaft	1	
215	Bushing	4	
216	Shaft	2	
217	Intermediate Roller	4	
218	Extending Roller	2	
219	Elastic Pin	2	
220	Elastic Pin	4	
221	Shaft	2	

NOBLELIFT

222	Frame of Roller	2	
223*	Shaft	4	For Type E
224*	Tandem Mounting with Pin	2	
228*	Tandem Mounting	2	
229*	Spring Washer	4	
230	Elastic Pin	8 or 2	
223D*	Shaft for Roller	4	For Type D
224D*	Linking Plate	4	
230D	Elastic Pin	8 or 2	
225	Washer	8 or 4	
226	Bearing	8 or 4	
227*	Loading Roller	4	
231	Bolt	2	
232	Enter Roller	2	
233	Locking Nut	2	
234#	Loading Roller	2	
235#	Shaft for Roller	2	
236	Washer	2	
237	Grease Cup	1	

NOTE: *-- For double wheel; #-- For single wheel

Type A pump



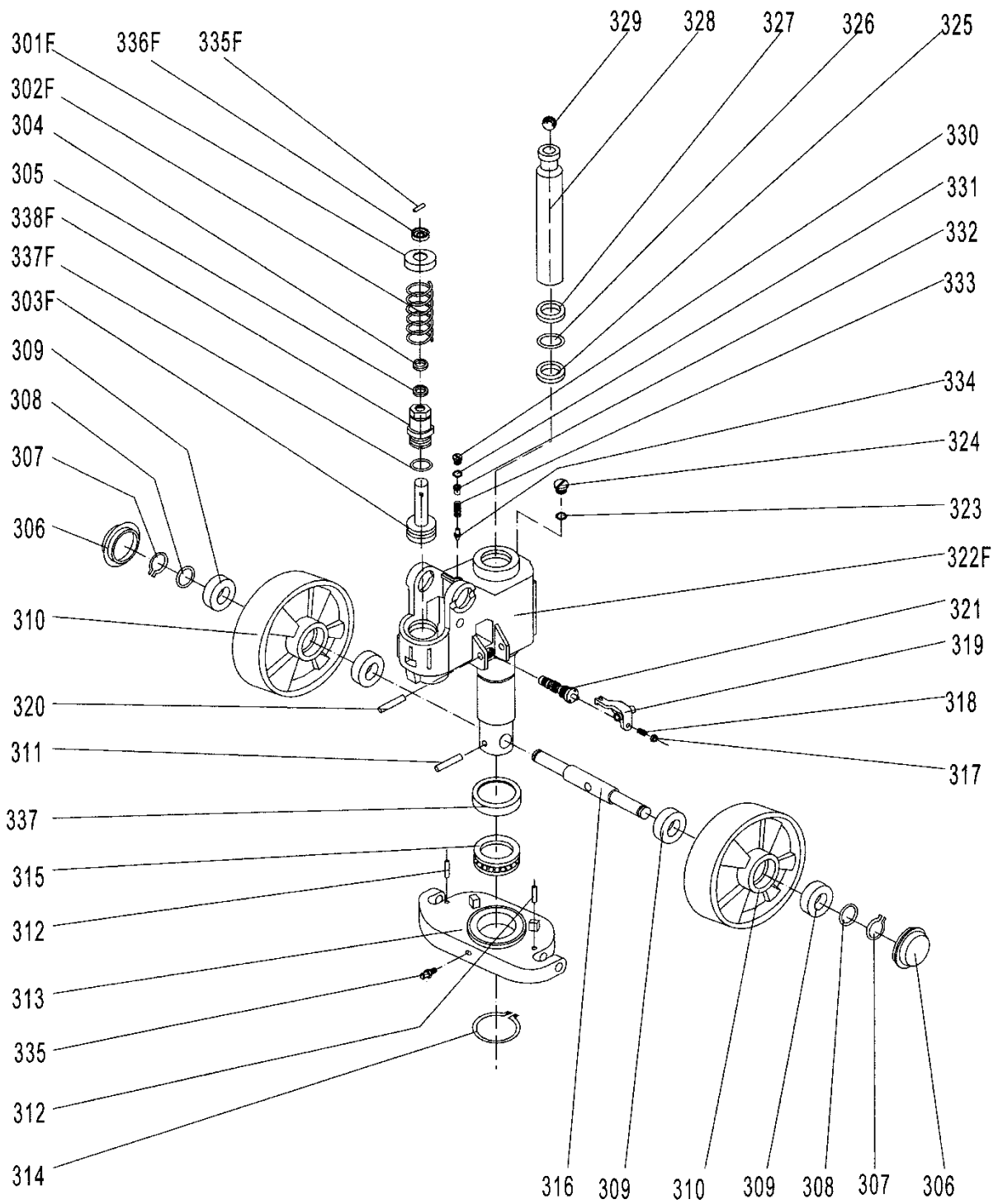
Type A hydraulic pump

No.	Description	Quantity	Remark
301	Spring Cap	1	
302	Spring	1	
303	Pump Piston	1	
304	Dust Ring	1	
305	Seal	1	
306	Dust Cover	2	
307	Locking Ring	2	
308	Washer	2	
309	Bearing	4	
310	Loading Wheel	2	
311	Elastic Pin	1	
312	Elastic Pin	2	
313	Thrust Plate	1	
314	Retaining Ring	1	
315	Bearing	1	
316	Shaft of loading Wheel	1	
317	Nut	1	
318	Screw	1	
319	Lever Plate	1	
320	Elastic Pin	1	
321	Valve Cartridge	1	
322A	Pump Body	1	
323	Seal Washer	1	
324	Screw Plug	1	
325	Seal	1	
326	O - Ring	1	
327	Dust Ring	1	

NOBLELIFT

328	Piston Rod	1	
329	Steel Ball	1	
330	Screw Plug	1	
331	O - Ring	1	
332	Bolt	1	
333	Spring	1	
334	Spindle of Safety Valve	1	
335	Grease Cup	1	
336	Cylinder	1	
337	Cover of Bearing	1	

Quick Lifting Pump

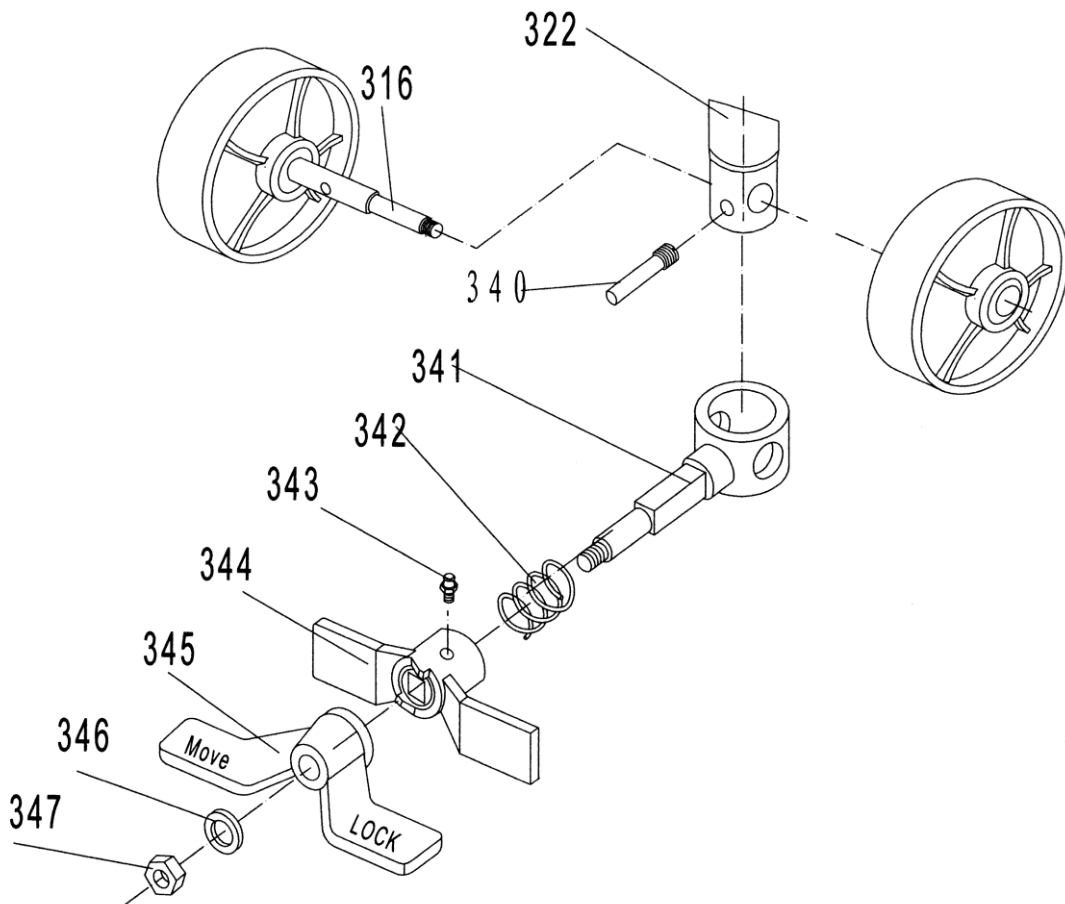


No	Description	Qty.	Remark
301F	Spring Cap	1	Only for Quick Lifting Pump
302F	Spring	1	
303F	Pump Piston for Quick Lifting	1	
304	Dust Ring	1	
305	Seal	1	
306	Dust Cover	2	
307	Spring Washer	2	
308	Washer	2	
309	Bearing	4	
310	Loading Wheel	2	
311	Elastic Pin	1	
312	Elastic Pin	2	
313	Thrust Plate	1	
314	Retaining Ring	1	
315	Bearing	1	
316	Shaft of Loading Wheel	1	
317	Nut	1	
318	Screw	1	
319	Lever Plate	1	
320	Elastic Pin	1	
321	Valve Cartridge	1	
322FA	Pump for Quick Lifting	1	for Quick Lifting Pump
323	Seal Washer	1	
324	Screw Plug	1	
325	Seal	1	
326	O - Ring	1	
327	Dust Ring	1	
328	Piston Rod	1	

NOBLELIFT

329	Steel Ball	1	
330	Screw Plug	1	
331	O - Ring	1	
332	Bolt	1	
333	Spring	1	
334	Spindle of Safety Valve	1	
335	Grease Cup	1	
337	Cover of Bearing	1	
335F	Pin	1	Only for Quick Lifting Pump
336F	Cap of Pin	1	
337F	O - Ring	1	
338F	Pump Cylinder	1	

Option: Foot Brake



No.	Description	Qty.	No.	Description	Qty.
316	Shaft of Steering Wheel	1	343	Oil - Holder	1
322	Pump Body	1	344	Brake Plate	1
340	Pin	1	345	Pedal	1
341	Holding Sleeve	1	346	Washer	1
342	Spring	1	347	Nut	1

NOBLELIFT

NOBLELIFT

NOBLELIFT HEADQUARTERS

Add #528 Changzhou Road, Taihu
Sub-district, Changxing, 313100
TEL: +86 572 6210311/6120989
FAX: +86 572 6129336
WEB: www.noblelift.com
Email: info@noblelift.com



Official website



Our Wechat